



SPARE PARTS CATALOG

VEHICLE 00003646000000

INDEX

CLASS: 50 (FRAME)

GROUP: 50 74 (ADBLUE UREA SYSTEM)

SUBGROUP: 50 74 40 (MODULO ADBLUE - PARTI)

Table 142654 BASE PLATE 1

SUBGROUP: 50 74 52 (ADBLUE UREA MEASURING)

Table 185356 BASE PLATE 3

CLASS: 54 (ENGINE)

GROUP: 54 00 (ENGINE UNIT)

SUBGROUP: 54 00 02 (ENGINE UNIT)

Table 210805 BASE PLATE 5

GROUP: 54 04 (CYLINDER BLOCK)

SUBGROUP: 54 04 01 (ENGINE BLOCK ASSY)

Table 152806 BASE PLATE 7

SUBGROUP: 54 04 03 (CYLINDER LINE ASSEMBLY)

Table 152815 BASE PLATE 10

SUBGROUP: 54 04 14 (OIL NOZZLE)

Table 152817 BASE PLATE 12

SUBGROUP: 54 04 20 (ASSEMBLY-SUMP)

Table 159122 BASE PLATE 14

SUBGROUP: 54 04 32 (REAR C.CASE COVER)

Table 152844 BASE PLATE 16

SUBGROUP: 54 04 43 (FRONT ENGINE SUPPORT)

Table 210483 BASE PLATE 19

SUBGROUP: 54 04 44 (REAR ENGINE SUPPORT)

Table 140553 BASE PLATE 21

INDEX

SUBGROUP: 54 04 50 (ENGINE BREATHERS)	
Table 153458 BASE PLATE	23
<i>GROUP: 54 06 (CYLINDER HEAD)</i>	
SUBGROUP: 54 06 04 (CYLINDER HEAD GASKET)	
Table 187866 BASE PLATE	25
SUBGROUP: 54 06 10 (CYLINDER HEAD-COVERS)	
Table 187865 BASE PLATE	27
Table 238124 BASE PLATE	30
SUBGROUP: 54 06 13 (ASSEMBLY VALVE)	
Table 187867 BASE PLATE	32
SUBGROUP: 54 06 30 (CYL. HEAD COVER)	
Table 210292 BASE PLATE	34
SUBGROUP: 54 06 68 (ROCKER SHAFT)	
Table 141626 BASE PLATE	36
Table 221376 BASE PLATE	38
Table 249859 BASE PLATE	40
<i>GROUP: 54 07 (MANIFOLD)</i>	
SUBGROUP: 54 07 10 (INLET MANIFOLD)	
Table 153562 BASE PLATE	42
SUBGROUP: 54 07 80 (EXHAUST MANIFOLD)	
Table 153298 BASE PLATE	44
<i>GROUP: 54 08 (MOVERS)</i>	
SUBGROUP: 54 08 01 (CRANK SHAFT ASSEMBLY)	
Table 153160 BASE PLATE	46
SUBGROUP: 54 08 10 (CONNECTING ROD)	

INDEX

Table 153035	BASE PLATE	48
SUBGROUP: 54 08 20 (PISTON)		
Table 153060	BASE PLATE	50
SUBGROUP: 54 08 30 (ENGINE FLYWHEEL)		
Table 153047	BASE PLATE	52
SUBGROUP: 54 08 43 (DRIVING PULLEY)		
Table 210291	BASE PLATE	54
<i>GROUP: 54 10 (GEAR DRIVE)</i>		
SUBGROUP: 54 10 00 (GEAR DRIVE)		
Table 153068	BASE PLATE	56
<i>GROUP: 54 12 (TIMING SYSTEM)</i>		
SUBGROUP: 54 12 50 (TIMING)		
Table 160241	BASE PLATE	58
Table 330166	BASE PLATE	60
<i>GROUP: 54 14 (INJECTION)</i>		
SUBGROUP: 54 14 00 (INJECTION)		
Table 187960	BASE PLATE	62
SUBGROUP: 54 14 80 (INJECTOR)		
Table 187961	BASE PLATE	66
<i>GROUP: 54 17 (GROUP-ELECTR.INJECT.)</i>		
SUBGROUP: 54 17 01 (E.C.U. GROUPS)		
Table 154862	BASE PLATE	68
SUBGROUP: 54 17 30 (ENGINE CABLE)		
Table 210730	BASE PLATE	70
<i>GROUP: 54 20 (FUEL INJECTION)</i>		

INDEX

SUBGROUP: 54 20 00 (FUEL FILTER)	
Table 153433 BASE PLATE	72
Child Plates	74
SUBGROUP: 54 20 30 (FUEL LINE)	
Table 153574 BASE PLATE	75
<i>GROUP: 54 24 (TURBOCHARGER)</i>	
SUBGROUP: 54 24 00 (TURBOCHARGER & PIPES)	
Table 160264 BASE PLATE	78
SUBGROUP: 54 24 23 (ENTRY AIR PIPE)	
Table 160257 BASE PLATE	80
<i>GROUP: 54 27 (DIPSTICKS)</i>	
SUBGROUP: 54 27 00 (OIL LEVEL INDICATOR)	
Table 159161 BASE PLATE	82
<i>GROUP: 54 30 (LUBRICATION SYSTEM)</i>	
SUBGROUP: 54 30 01 (OIL PUMP)	
Table 153121 BASE PLATE	84
SUBGROUP: 54 30 20 (OIL FILTERS)	
Table 110498 BASE PLATE	86
Table 111338 BASE PLATE	88
SUBGROUP: 54 30 30 (OIL PRESSURE REG.)	
Table 1792 BASE PLATE	90
SUBGROUP: 54 30 50 (SUCTION STRAINER)	
Table 153123 BASE PLATE	92
SUBGROUP: 54 30 64 (OIL DELIVERY LINE)	
Table 160263 BASE PLATE	94

INDEX

SUBGROUP: 54 30 65 (RETURN OIL LINE)	
Table 160261 BASE PLATE	96
<i>GROUP: 54 31 (HEAT EXCHANGER)</i>	
SUBGROUP: 54 31 50 (HEAT EXCHANGER)	
Table 153164 BASE PLATE	98
<i>GROUP: 54 32 (COOLING SYSTEM)</i>	
SUBGROUP: 54 32 01 (WATER PUMP)	
Table 153119 BASE PLATE	100
SUBGROUP: 54 32 30 (WATER PIPE)	
Table 153154 BASE PLATE	102
SUBGROUP: 54 32 39 (HEAD WATER EXIT PIPE)	
Table 109184 BASE PLATE	104
SUBGROUP: 54 32 40 (DELIV. HEATING PIPE)	
Table 145773 BASE PLATE	106
SUBGROUP: 54 32 49 (COMPRESSOR ENTRY PIPE)	
Table 120687 BASE PLATE	108
SUBGROUP: 54 32 50 (COMPRESSOR EXIT PIPE)	
Table 124281 BASE PLATE	110
SUBGROUP: 54 32 52 (BLEEDER TUBING)	
Table 160256 BASE PLATE	112
Table 187876 BASE PLATE	114
<i>GROUP: 54 35 (POWER TAKE OFF)</i>	
SUBGROUP: 54 35 00 (ASSEMBLY DRIVE)	
Table 210722 A09280517 POWER TAKE-OFF PREPARATION	116
<i>GROUP: 54 36 (STARTING SYSTEM)</i>	

INDEX

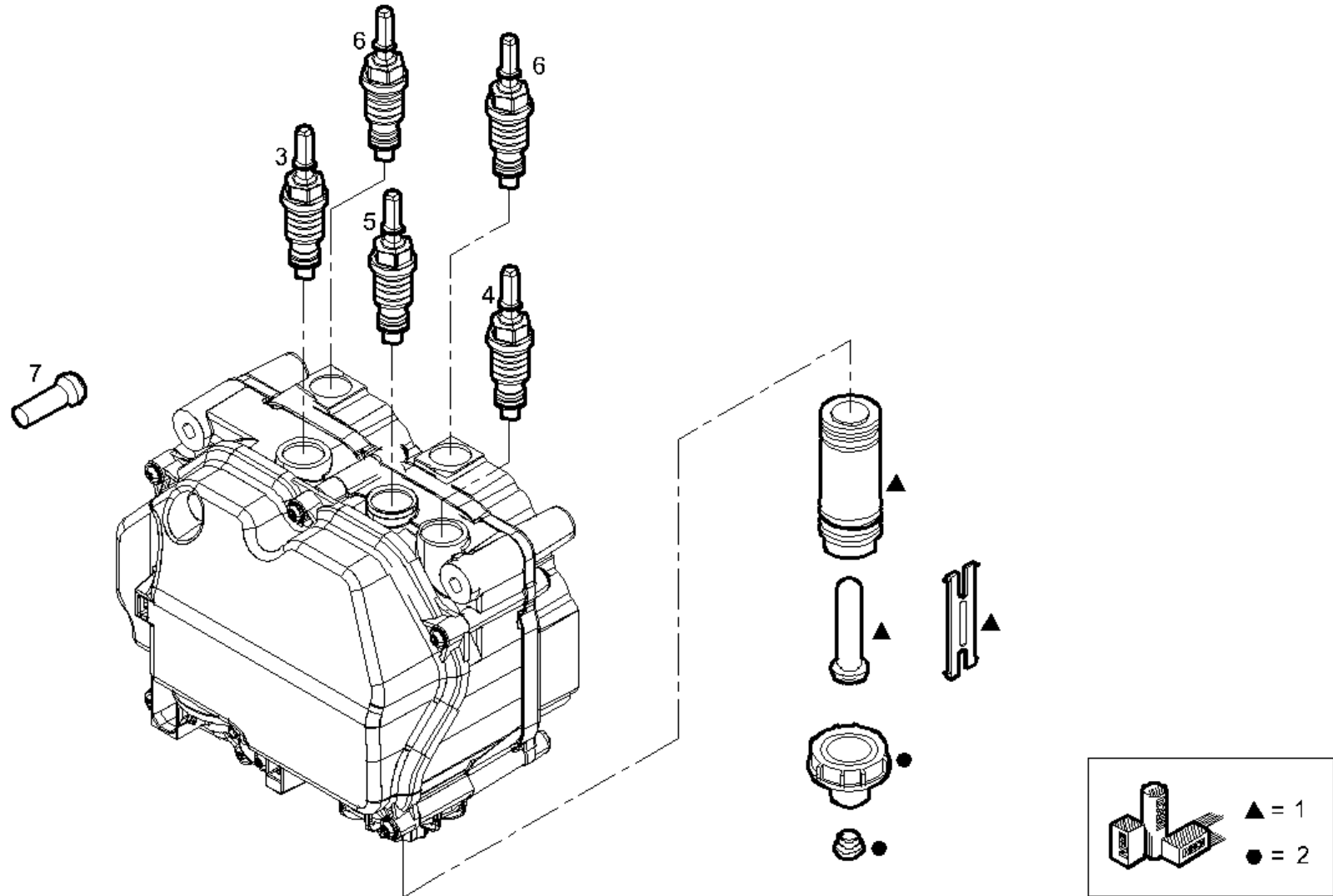
SUBGROUP: 54 36 00 (STARTER MOTOR)	
Table 142526 BASE PLATE	118
SUBGROUP: 54 36 50 (THERMO-STARTER)	
Table 153356 BASE PLATE	120
GROUP: 54 37 (ENGINE EXHAUST BRAKE)	
SUBGROUP: 54 37 00 (ENGINE BRAKE ASSEMBLY)	
Table 111564 BASE PLATE	122
Table 221373 BASE PLATE	124
GROUP: 54 38 (AIR COMPRESSOR GROUP)	
SUBGROUP: 54 38 01 (AIR COMPRESSOR)	
Table 153159 BASE PLATE	126
Table 210745 A18150504 AIR COMPRESSOR 460 CC	128
Child Plates	130
Table 210746 A18150505 AIR COMPRESSOR 630 CC	131
Child Plates	133
GROUP: 54 39 (COMPRES.AIR CONDIT.)	
SUBGROUP: 54 39 00 (COMPRES.AIR CONDIT.)	
Table 210107 A81000517 AIR CONDITIONING COMPRESSOR 24V	134
Child Plates	136
GROUP: 54 40 (GENERATOR)	
SUBGROUP: 54 40 00 (ALTERNATOR)	
Table 210803 BASE PLATE	137
Table 229280 A14140504 ALTERNATOR 24V 120A	139
GROUP: 54 45 (ASSEMB.TOW COUPLING)	
SUBGROUP: 54 45 00 (TOW COUPLING)	

INDEX

Table 242714	BASE PLATE	141
<i>GROUP: 54 86 (ACCESSORIES)</i>		
SUBGROUP: 54 86 00 (ACCESSORIES)		
Table 173114	BASE PLATE	143
SUBGROUP: 54 86 93 (AFTER TREATMENT-PARTS)		
Table 210045	BASE PLATE	145
Child Plates	147
Table 242713	BASE PLATE	148
Child Plates	150
CLASS: 77 (INJECTION)		
<i>GROUP: 77 31 (FUEL FILTER)</i>		
SUBGROUP: 77 31 89 (FUEL FILTER)		
Table 153127	BASE PLATE	151
CLASS: 79 (PNEUM.COMPONENTS)		
<i>GROUP: 79 05 (BREAK-DOWN AIR COMPRE)</i>		
SUBGROUP: 79 05 00 (AIR COMPRESSOR)		
Table 95570	BASE PLATE	153
Table 95570	A18150505 AIR COMPRESSOR 630 CC	155
Table 118720	BASE PLATE	157
Table 118720	A18150504 AIR COMPRESSOR 460 CC	159
Table 342699	BASE PLATE	161
Table 342699	A18150505 AIR COMPRESSOR 630 CC	163
SUBGROUP: 79 05 40 (AXIAL CYL.COND.CPRSR)		
Table 160739	BASE PLATE	165
Table 160739	A81000517 AIR CONDITIONING COMPRESSOR 24V	167

INDEX

Table: 142654



Frame: C16ENTHW200005324

VP/PIC: 00003646000000

Model: C16ENTHW20.00

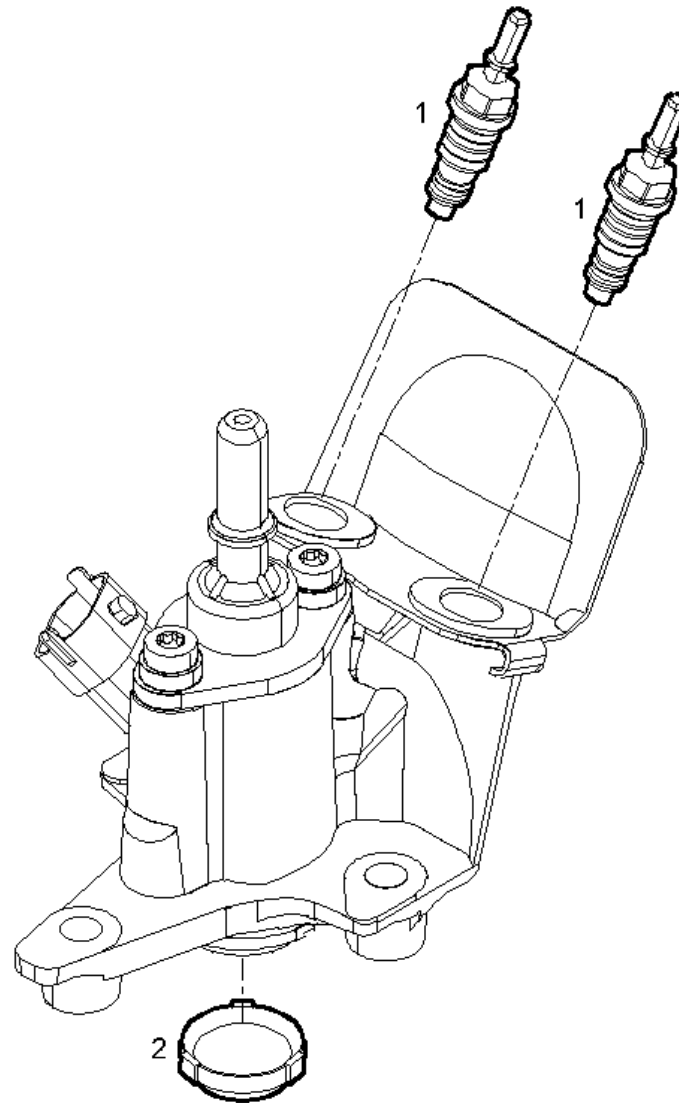
Class: 50

Group: 50 74

Subgroup: 50 74 40

Table: 142654

Pos.	Part Number	Qty.	Description	Standard Note	Modif.	Subst.	Time Sav.
1	5801667204	1	ADBLUE FILTER EL. KIT			S	
2	5801696034	1	FILTER COVER			S	
3	5801696035	1	NOZZLE	INLET			
4	5801696036	1	NOZZLE	OUTLET			
5	5801696037	1	NOZZLE	BACKFLOW			
6	5801696038	2	NOZZLE	COOLANT			
7	42596049	5	ADBLUE FILTER EL. KIT				



Frame: C16ENTHW200005324

VP/PIC: 00003646000000

Model: C16ENTHW20.00

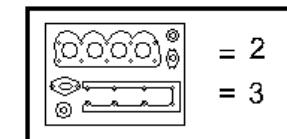
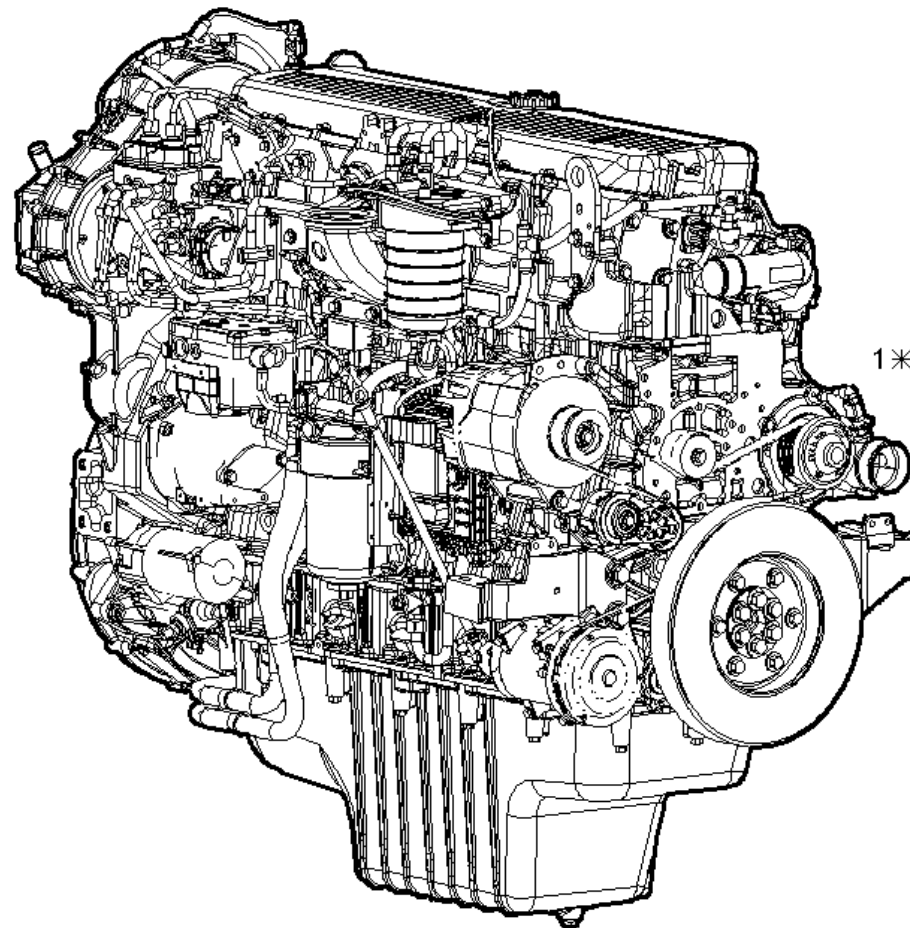
Class: 50

Group: 50 74

Subgroup: 50 74 52

Table: 185356

Pos.	Part Number	Qty.	Description	Standard Note	Modif.	Subst.	Time Sav.
1	5801696040	2	NOZZLE	COOLANT			
2	503142388	1	SEAL GASKET				



* Available during vehicle production up to stock exhaustion

Fournis pendant la production du véhicule et jusqu'à épuisement de stock

Forniti durante la produzione del veicolo e fino esaurimento delle disponibilità

Während der Produktion des Fahrzeugs und bis zum Verbrauch der Vorräte lieferbar

Se suministran durante la fabricación del vehículo y hasta agotarse las reservas disponibles

Frame: C16ENTHW200005324

VP/PIC: 00003646000000

Model: C16ENTHW20.00

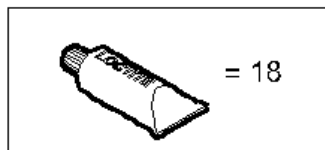
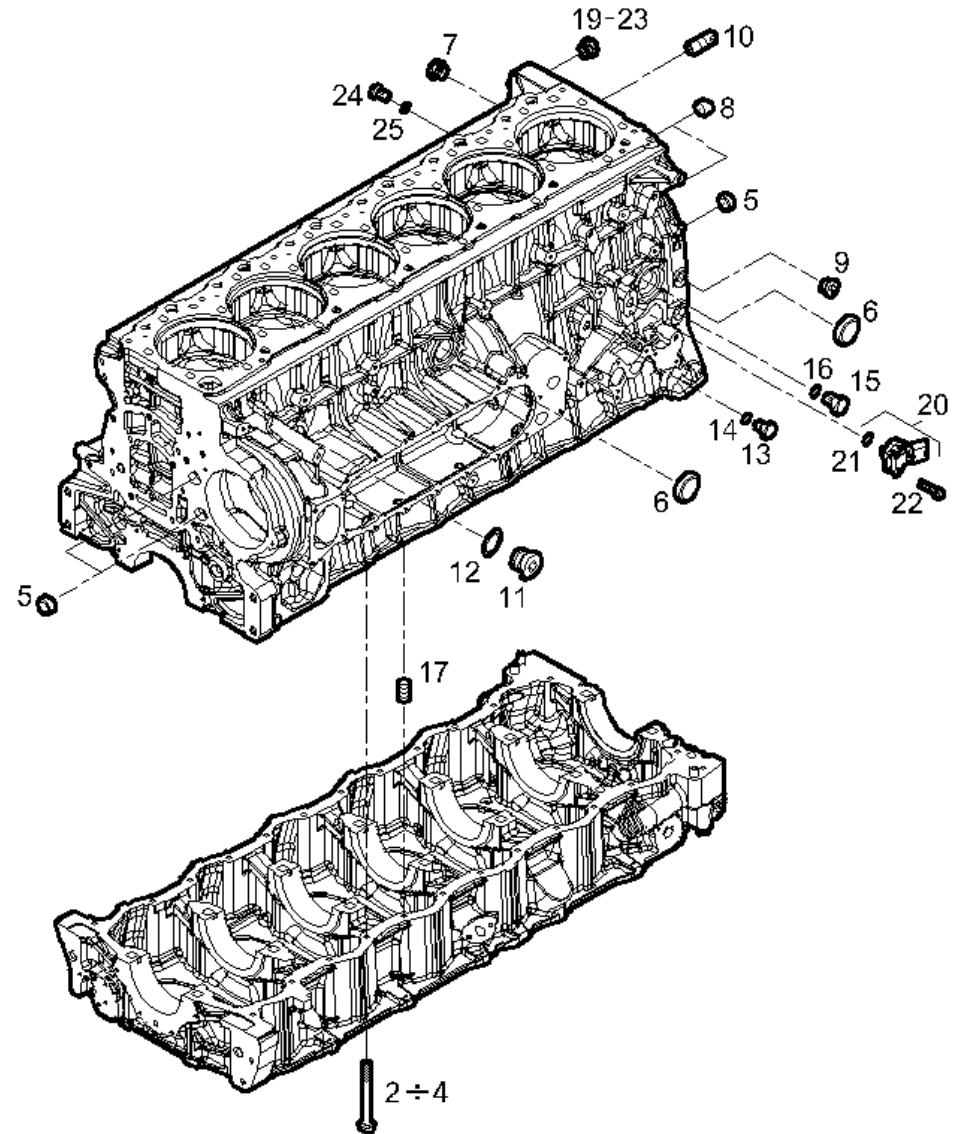
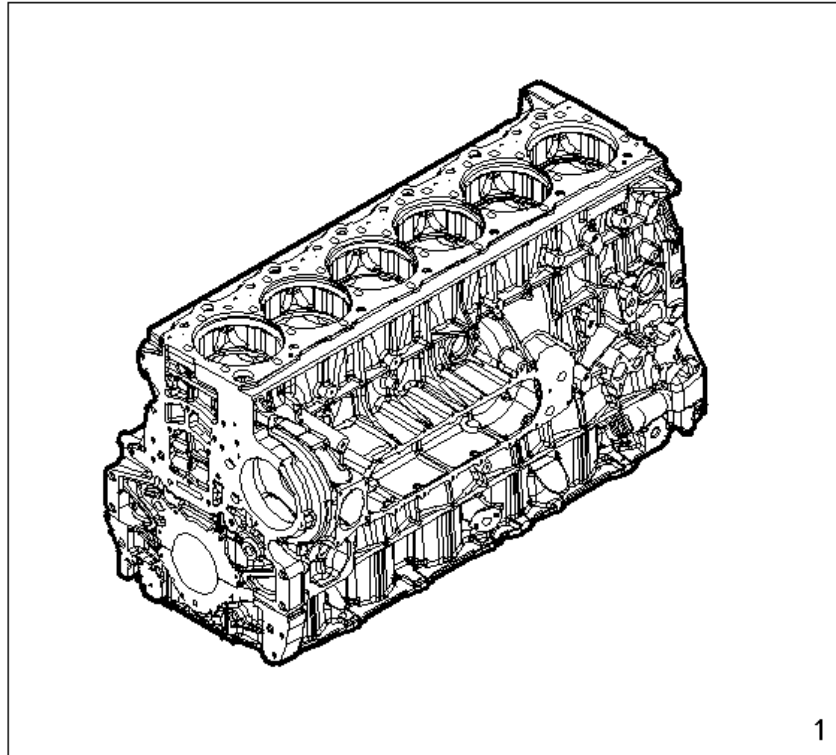
Class: 54

Group: 54 00

Subgroup: 54 00 02

Table: 210805

Pos.	Part Number	Qty.	Description	Standard Note	Modif.	Subst.	Time Sav.
1	5802338424	1	ENGINE COMPLETE				
2	8099136	1	KIT OVERHAUL GASKET				
3	8099137	1	VALVES GRIND SET				



Frame: C16ENTHW200005324

VP/PIC: 00003646000000

Model: C16ENTHW20.00

Class: 54

Group: 54 04

Subgroup: 54 04 01**Table: 152806**

Pos.	Part Number	Qty.	Description	Standard Note	Modif.	Subst.	Time Sav.
1	5801934575	1	CRANKCASE	ASSY			
2	5801744261	14	HEXAGON BOLT	M18			
3	5801751430	25	CYLIND-HEAD SCREW	M12X1,75			
4	99433863	1	HEXAGON BOLT	M12X58 MM			
5	5801742060	4	PLUG	DIAM=25 MM			
6	16991370	2	LOCK PLUG	DIAM=45 MM			
7	504051237	1	THREADED PLUG	DIAM=1/4"			
8	504138062	2	LOCK PLUG	DIAM=10 MM			
9	504051238	4	THREADED PLUG	DIAM=3/8"			
10	500368916	1	DOWEL PIN	DIAM=10 MM L=25 MM			
11	4665029	1	LOCK PLUG	M42X1,5		S	
12	99469382	1	SEAL GASKET	42X50X2 MM			
13	16992415	1	THREADED PLUG	M16X1,5MM			
14	5801560870	1	SEAL GASKET	DIAM=16X24 MM SP=1,5			
15	16992711	1	THREADED PLUG	M28X1,5			
16	16571960	1	SEAL GASKET	DIAM=28X33 MM			
17	99467554	4	DOWEL PIN	DIAM=14 MM			
18	2995644	1	ADHESIVE			S	
19	5801742061	1	PLUG	DIAM=15 MM		C	
20	504358206	1	PRESSURE SWITCH	OIL PRESSURE			

Frame: C16ENTHW200005324

VP/PIC: 00003646000000

Model: C16ENTHW20.00

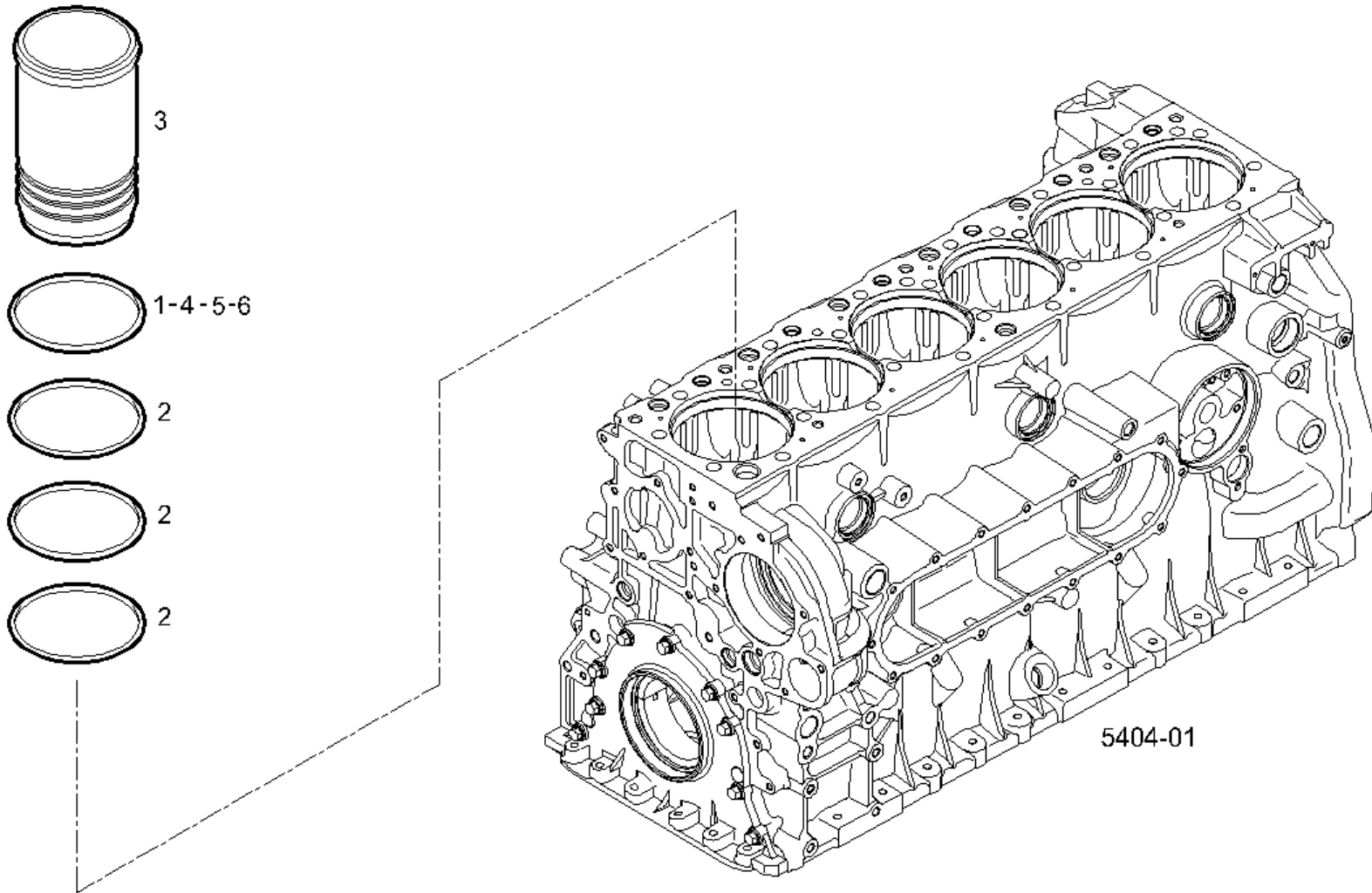
Class: 54

Group: 54 04

Subgroup: 54 04 01

Table: 152806

Pos.	Part Number	Qty.	Description	Standard Note	Modif.	Subst.	Time Sav.
21	4895477	1	O-RING	DIAM=13,94 MM SP=2,62			
22	16597225	2	HEXAGON BOLT	M6X18 MM			
23	99433597	3	THREADED PLUG	M12X16 MM			
24	5801383773	1	THREADED PLUG				
25	99489017	1	SEAL GASKET	DIAM=12 MM			



Frame: C16ENTHW200005324

VP/PIC: 00003646000000

Model: C16ENTHW20.00

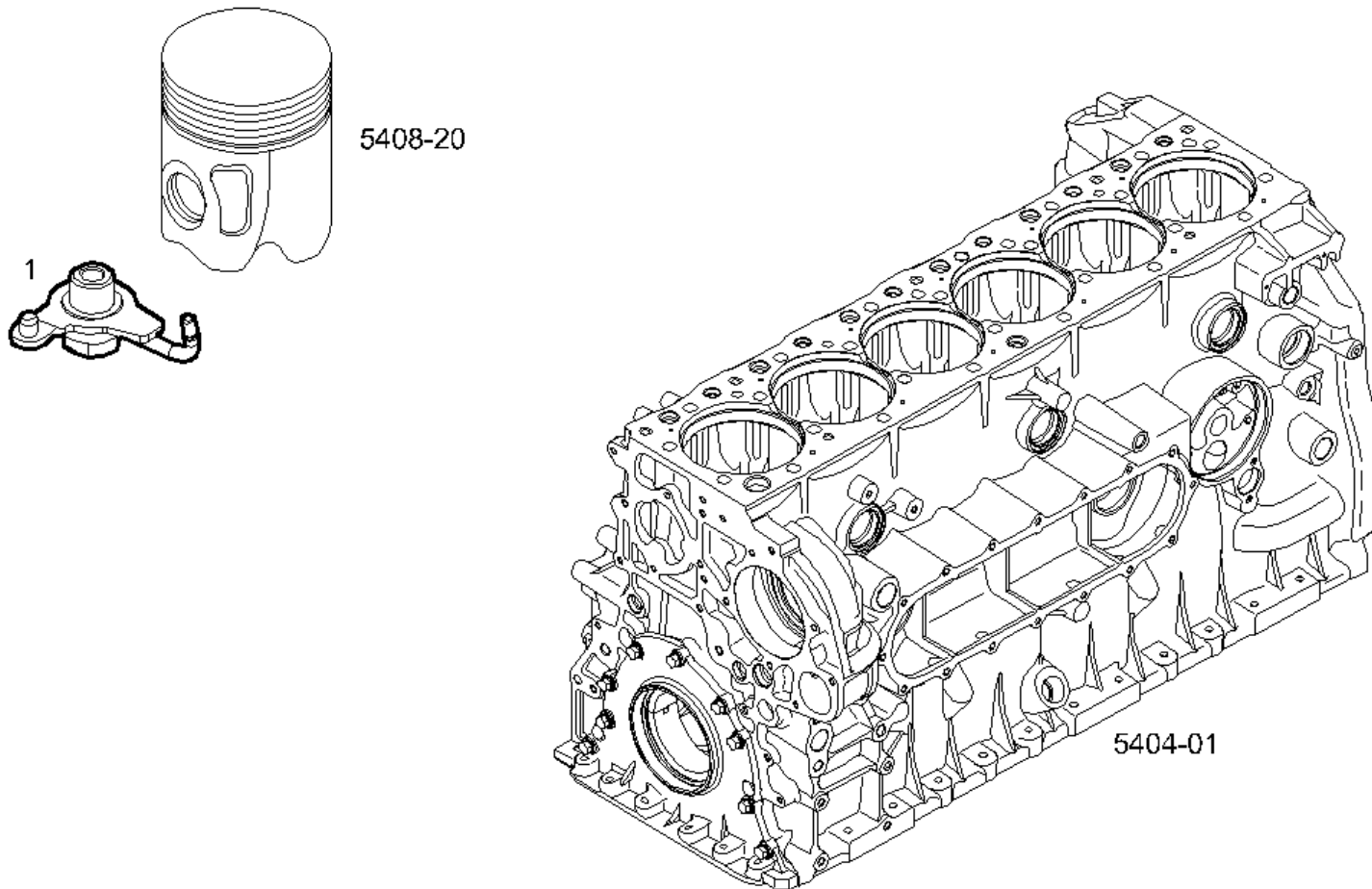
Class: 54

Group: 54 04

Subgroup: 54 04 03

Table: 152815

Pos.	Part Number	Qty.	Description	Standard Note	Modif.	Subst.	Time Sav.
1	504371735	6	SPAC.RING CYL.LIN.	SP=0,14 MM			
2	5801524670	18	O-RING	SP=0,14 MM			
3	504301046	6	CYLINDER LINER				
4	504371732	6	SPAC.RING CYL.LIN.	SP=0,08 MM			
5	504371734	6	SPAC.RING CYL.LIN.	SP=0,12 MM			
6	504371733	6	SPAC.RING CYL.LIN.	SP=0,10 MM			



Frame: C16ENTHW200005324

VP/PIC: 00003646000000

Model: C16ENTHW20.00

Class: 54

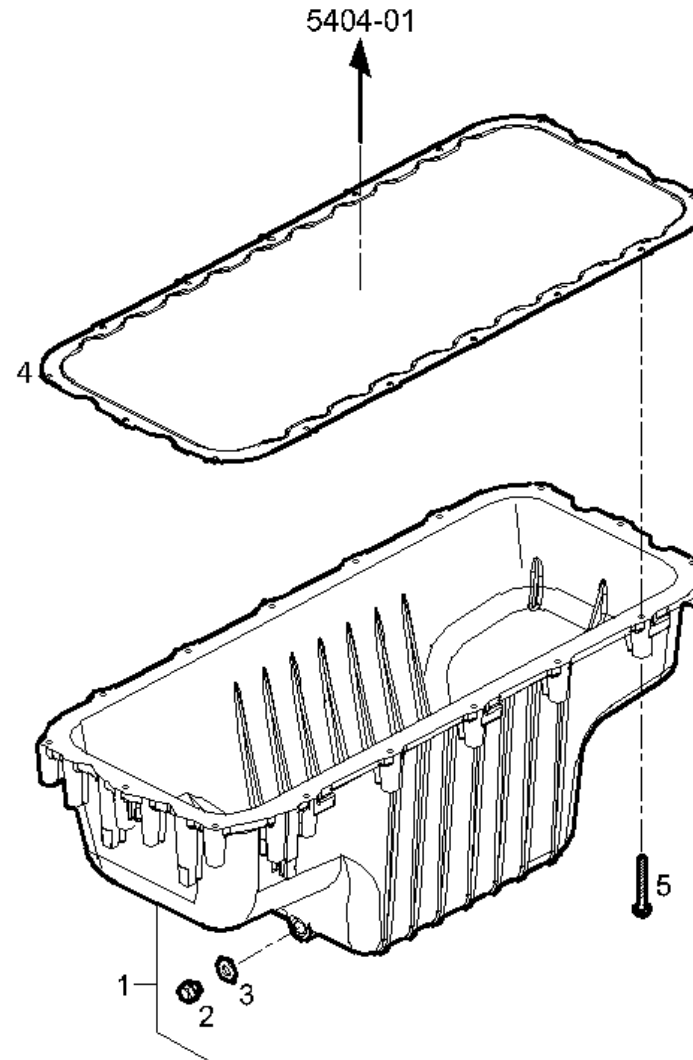
Group: 54 04

Subgroup: 54 04 14

Table: 152817

Pos.	Part Number	Qty.	Description	Standard Note	Modif.	Subst.	Time Sav.
1	5801742580	6	OIL NOZZLE				

Table: 159122



Frame: C16ENTHW200005324

VP/PIC: 00003646000000

Model: C16ENTHW20.00

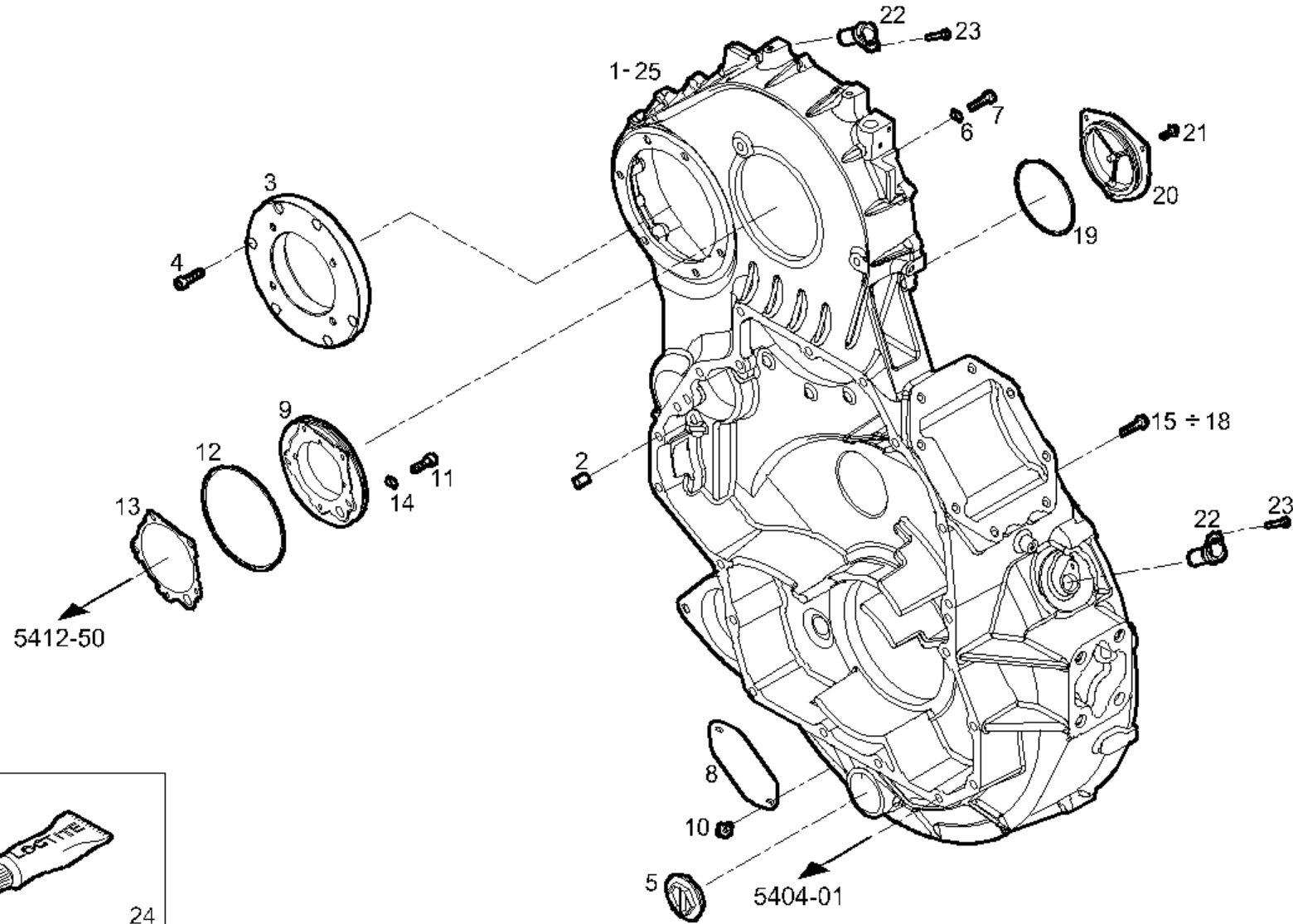
Class: 54

Group: 54 04

Subgroup: 54 04 20

Table: 159122

Pos.	Part Number	Qty.	Description	Standard Note	Modif.	Subst.	Time Sav.
1	5801878570	1	OIL SUMP	ASSY		S	
2	16992611	3	THREADED PLUG	M22X1,5			
3	99489022	3	SEAL GASKET	DIAM=22 MM			
4	5801748226	1	OIL SUMP GASKET				
5	16592925	16	HEXAGON BOLT	M10X80 MM			



Pos.	Part Number	Qty.	Description	Standard Note	Modif.	Subst.	Time Sav.
1	8095758	1	REAR C.CASE COVER		M		
2	17275610	2	DOWEL PIN				
3	504383029	1	FLANGE				
4	16690725	6	CYLIND-HEAD SCREW				
5	504123677	1	THREADED PLUG	M 52X2			
6	98474305	2	SEAL RING	DIAM=10X17 MM SP=2,3			
7	16587125	2	HEXAGON BOLT	M10X25 MM			
8	4851842	1	COVER				
9	500322294	1	SPACER RING				
10	16597925	2	HEXAGON BOLT	M8X14 MM			
11	16690625	5	SOCKET-HEAD SCREW	M8X1,25X25 MM			
12	17292281	1	O-RING	DIAM=126,59 MM SP=3,53			
13	99448739	1	FLAT GASKET ENGINE				
14	17094924	5	WASHER	DIAM=8X16 MM			
15	16593425	12	HEXAGON BOLT	M12X100 MM			
16	16588125	4	HEXAGON BOLT	M12X1,75X35 MM			
17	99475978	2	HEXAGON BOLT	M12X1,75			
18	16588825	2	HEXAGON BOLT	M12X70 MM			
19	99435566	1	O-RING				
20	5801620809	1	COVER				

Frame: C16ENTHW200005324

VP/PIC: 00003646000000

Model: C16ENTHW20.00

Class: 54

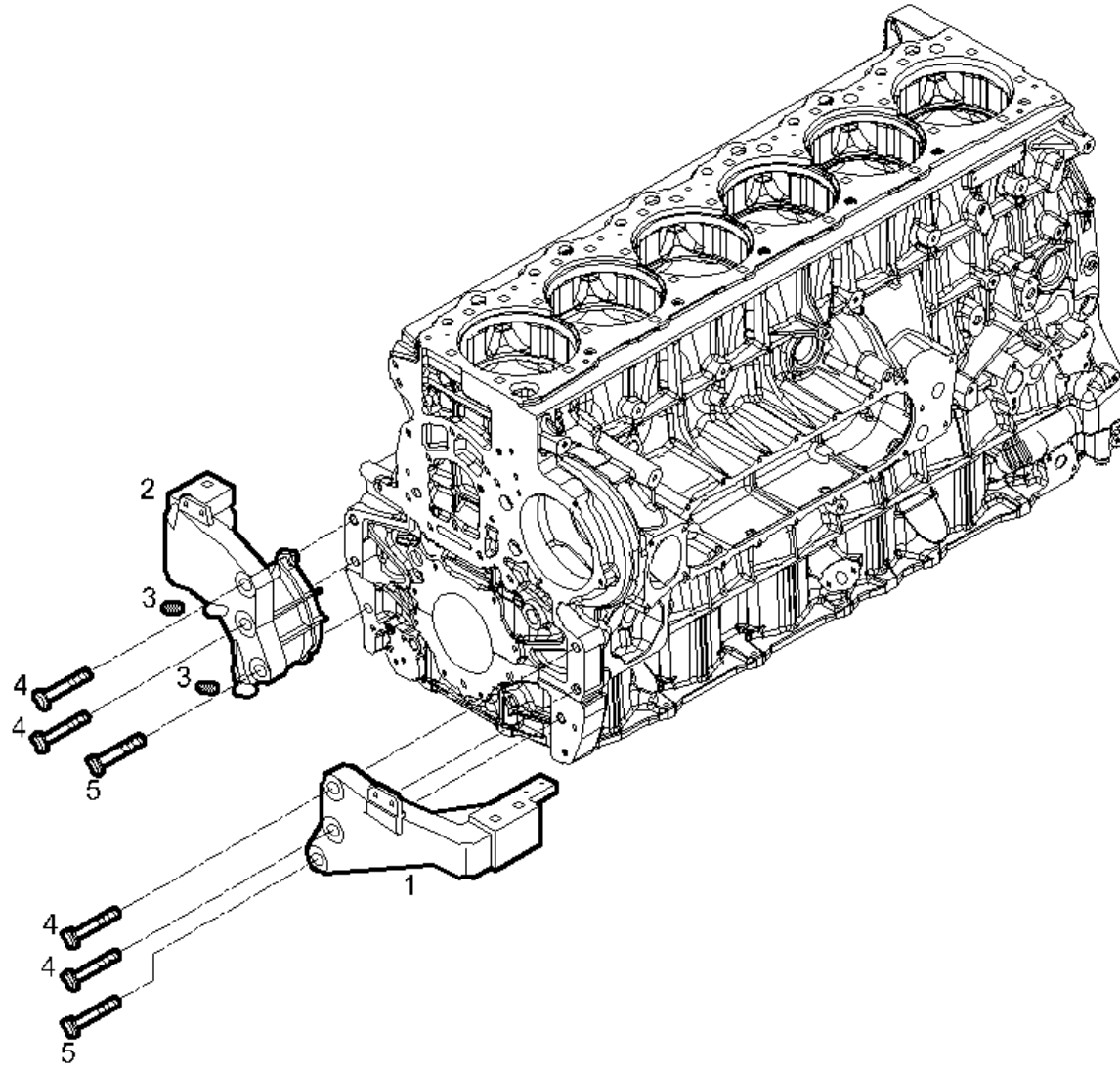
Group: 54 04

Subgroup: 54 04 32

Table: 152844

Pos.	Part Number	Qty.	Description	Standard Note	Modif.	Subst.	Time Sav.
21	16673635	3	HEXAGON BOLT	M8X1,25X20 MM			
22	504096645	2	SENSOR	FOR ENGINE SPEED			
23	16689024	2	SOCKET-HEAD SCREW	M6X12 MM			
24	2995644	1	ADHESIVE			S	
25	5801728232	1	REAR C.CASE COVER		M		

Table: 210483



Frame: C16ENTHW200005324

VP/PIC: 00003646000000

Model: C16ENTHW20.00

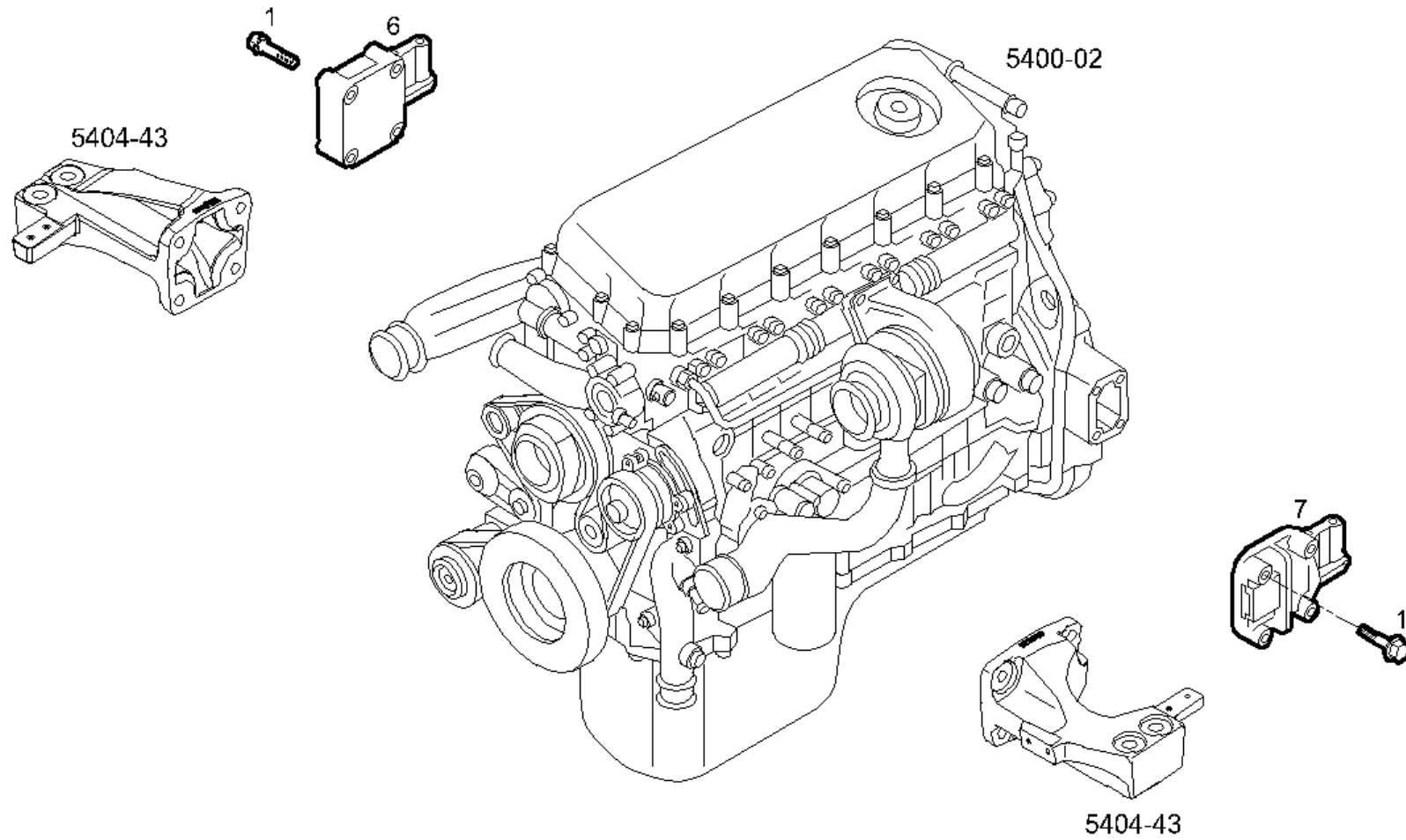
Class: 54

Group: 54 04

Subgroup: 54 04 43

Table: 210483

Pos.	Part Number	Qty.	Description	Standard Note	Modif.	Subst.	Time Sav.
1	500307183	1	FRONT ENG. MOUNT	LEFT			
2	500307184	1	FRONT ENG. MOUNT	RIGHT			
3	99435557	2	DOWEL PIN	DIAM=8,5 MM			
4	504162324	4	SCREW	M18X2			
5	99484191	2	HEXAGON BOLT	M18X2X62MM			



Frame: C16ENTHW200005324

VP/PIC: 00003646000000

Model: C16ENTHW20.00

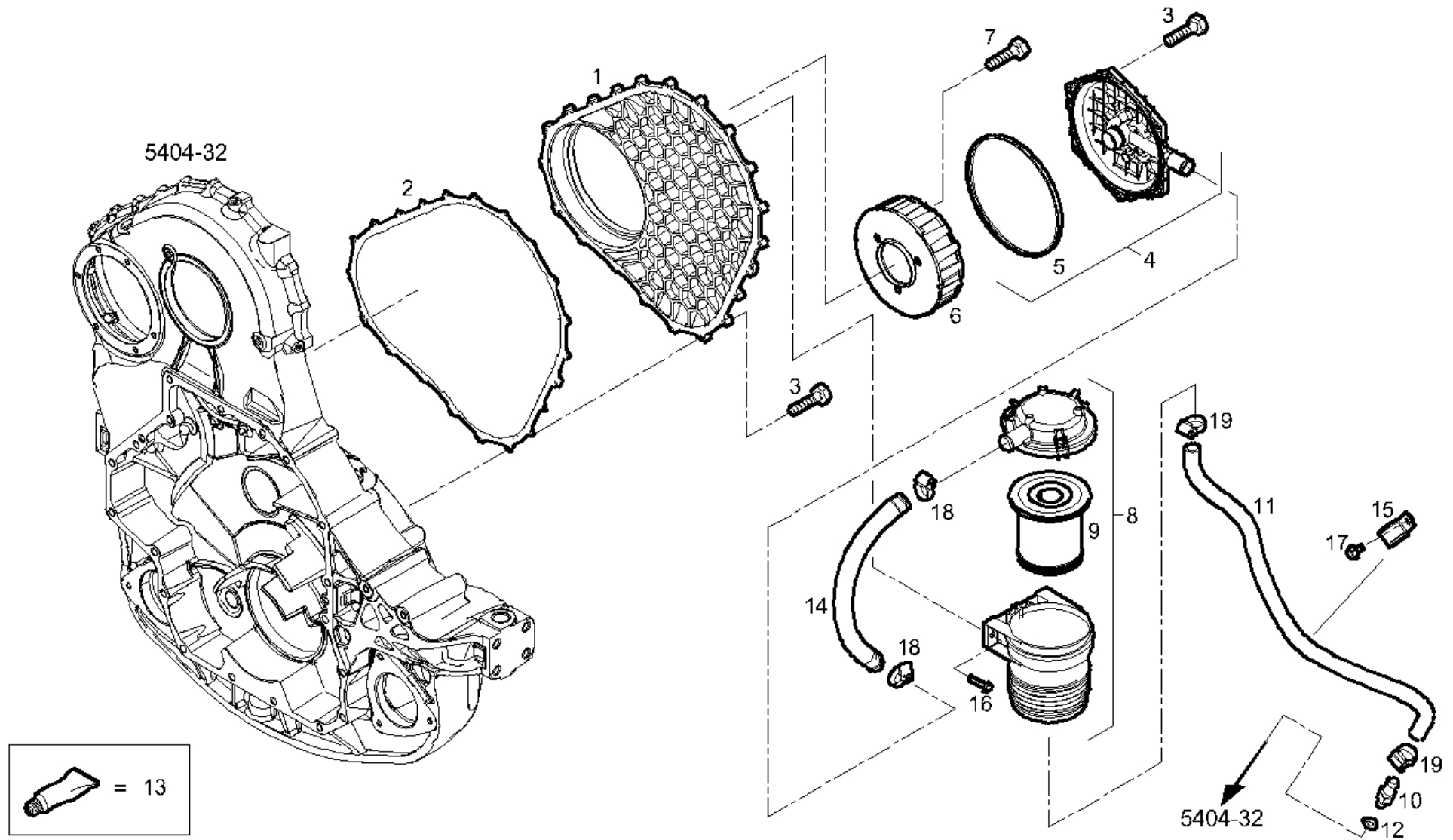
Class: 54

Group: 54 04

Subgroup: 54 04 44

Table: 140553

Pos.	Part Number	Qty.	Description	Standard Note	Modif.	Subst.	Time Sav.
1	16682935	8	HEXAGON BOLT	M16X60 MM			
6	500307725	1	REAR ENG. MOUNT	RIGHT		S	
7	500307726	1	REAR ENG. MOUNT	LEFT			



Frame: C16ENTHW200005324

VP/PIC: 00003646000000

Model: C16ENTHW20.00

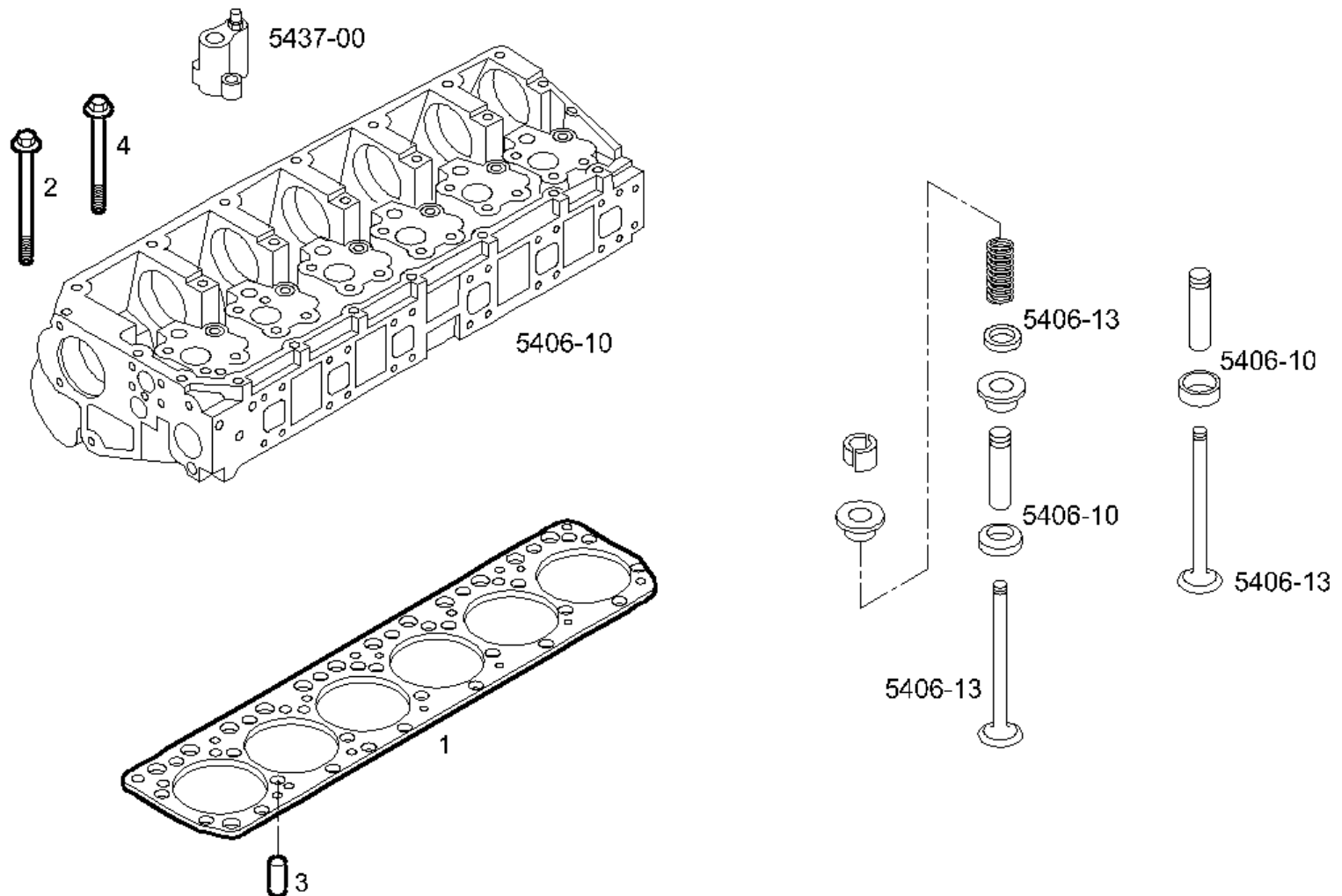
Class: 54

Group: 54 04

Subgroup: 54 04 50**Table: 153458**

Pos.	Part Number	Qty.	Description	Standard Note	Modif.	Subst.	Time Sav.
1	5801744563	1	COVER				
2	5801586760	1	FLAT GASKET ENGINE				
3	16585925	26	HEXAGON BOLT	M6X25 MM			
4	504387086	1	BREATHER				
5	504387088	1	FLAT GASKET ENGINE				
6	5801470547	1	FILTER ELEM. BLOW BY			S	
7	5801472560	3	HEXAGON BOLT				
8	504387384	1	FILTER	ASSY			
9	5801740073	1	FILTER ELEM. BLOW BY				
10	504385443	1	BLOW BY VALVE				
11	5801738744	1	RUBBER SLEEVE				
12	99489017	1	SEAL GASKET	DIAM=12 MM			
13	5801776002	1	ADHESIVE			S	
14	5801738745	1	RUBBER SLEEVE				
15	17315392	2	PIPE CLIP	DIAM=20 MM			
16	16673735	2	HEXAGON BOLT	M8X1,25X25 MM			
17	16585625	2	HEXAGON BOLT	M6X12 MM			
18	16944594	2	CLIP				
19	18088393	2	CLIP	DIA=16/25 MM		S	

Table: 187866



Frame: C16ENTHW200005324

VP/PIC: 00003646000000

Model: C16ENTHW20.00

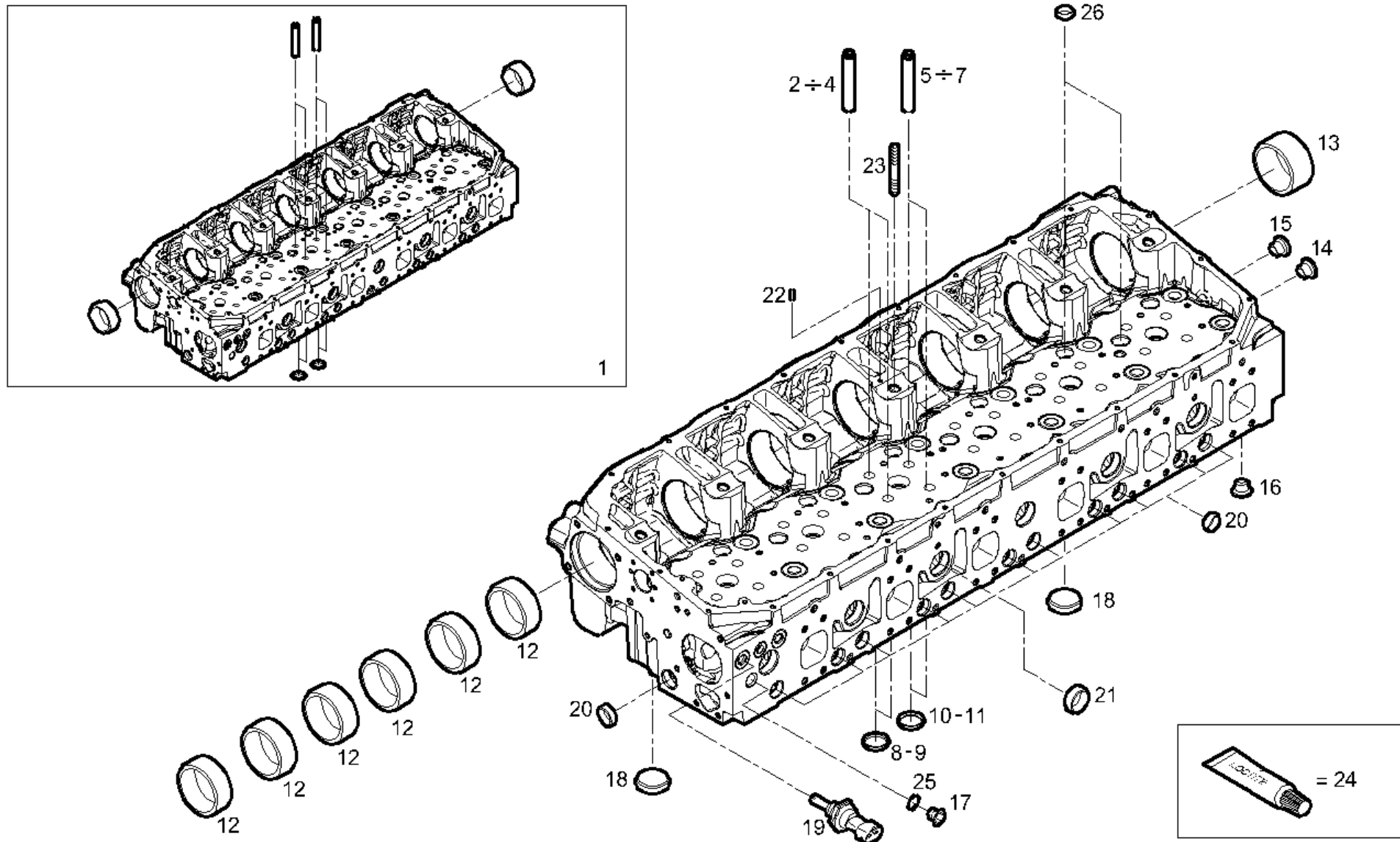
Class: 54

Group: 54 06

Subgroup: 54 06 04

Table: 187866

Pos.	Part Number	Qty.	Description	Standard Note	Modif.	Subst.	Time Sav.
1	504338164	1	CYL.HEAD GASKET				
2	98495527	20	HEXAGON BOLT	M18X2X196MM			
3	17275510	2	DOWEL PIN	DIAM=10 MM			
4	98495528	6	HEXAGON BOLT				



Frame: C16ENTHW200005324

VP/PIC: 00003646000000

Model: C16ENTHW20.00

Class: 54

Group: 54 06

Subgroup: 54 06 10**Table: 187865**

Pos.	Part Number	Qty.	Description	Standard Note	Modif.	Subst.	Time Sav.
1	5801931506	1	CYLINDER HEAD			S	
2	504375602	12	VALVE GUIDE	INTAKE			
3	5801435664	12	VALVE GUIDE +0,2	INTAKE			
4	5801435665	12	VALVE GUIDE +0,4	INTAKE			
5	504375600	12	VALVE GUIDE	EXHAUST			
6	5801435666	12	VALVE GUIDE +0,2	EXHAUST			
7	5801435667	12	VALVE GUIDE +0,4	EXHAUST			
8	504362587	12	VALVE SEAT STD.	INTAKE			
9	5801435660	12	VALVE SEAT +0.20	INTAKE			
10	5801388686	12	VALVE SEAT STD.				
11	5801512635	12	VALVE SEAT +0.20	EXHAUST			
12	504078222	6	BUSH	FRONT			
13	504078223	1	BUSH	REAR			
14	504051237	2	THREADED PLUG	DIAM=1/4"			
15	504138062	1	LOCK PLUG	DIAM=10 MM			
16	504138060	1	LOCK PLUG				
17	16993411	1	THREADED PLUG	M22X1,5X13 MM (TAPER)			
18	16991370	2	LOCK PLUG	DIAM=45 MM			
19	500382599	1	TEMPERATURE SENSOR	WATER / FUEL / OIL			
20	16990870	15	LOCK PLUG	DIAM=28 MM			

Frame: C16ENTHW200005324

VP/PIC: 00003646000000

Model: C16ENTHW20.00

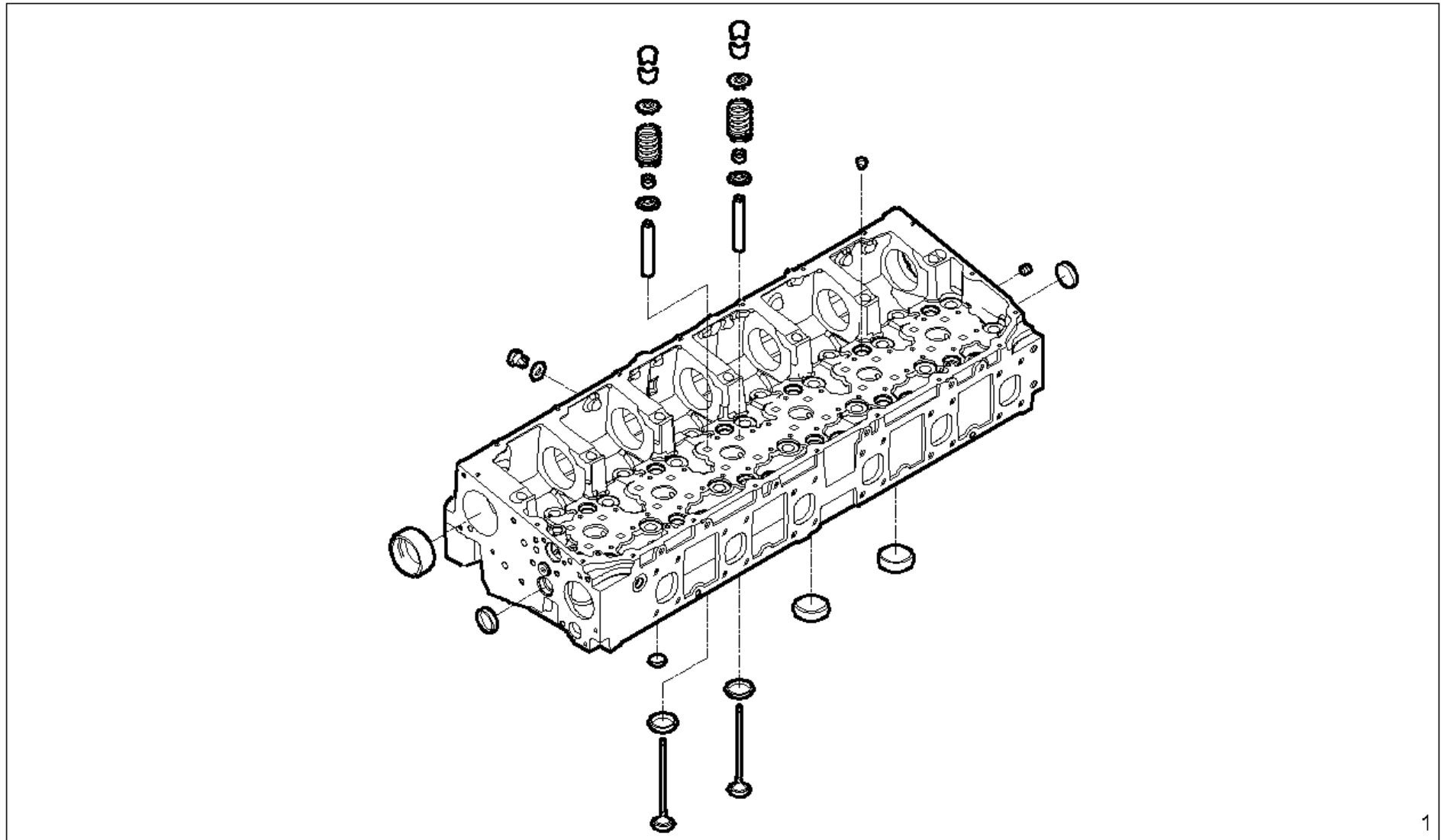
Class: 54

Group: 54 06

Subgroup: 54 06 10

Table: 187865

Pos.	Part Number	Qty.	Description	Standard Note	Modif.	Subst.	Time Sav.
21	16991170	5	LOCK PLUG	DIAM=36 MM			
22	17255674	1	DOWEL PIN	DIAM=6 MM			
23	16747024	1	STUD	M8X40 MM			
24	5801776002	1	ADHESIVE			S	
25	99489022	1	SEAL GASKET	DIAM=22 MM			
26	504344694	12	PLUG	DIAM=25 MM			



Frame: C16ENTHW200005324

VP/PIC: 00003646000000

Model: C16ENTHW20.00

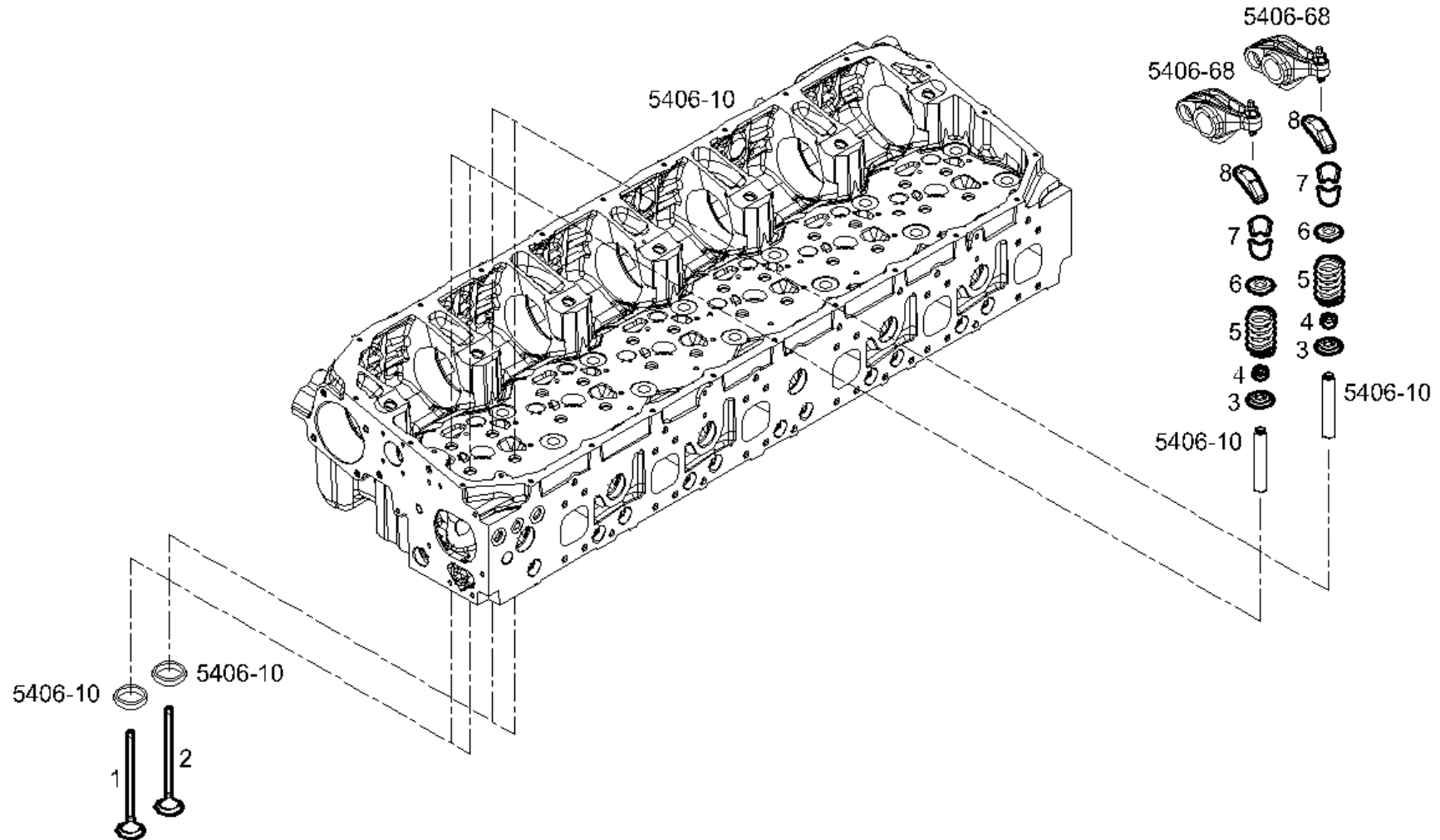
Class: 54

Group: 54 06

Subgroup: 54 06 10

Table: 238124

Pos.	Part Number	Qty.	Description	Standard Note	Modif.	Subst.	Time Sav.
1	5802530372	1	CYL. HEAD WITH ELEMENT				



Frame: C16ENTHW200005324

VP/PIC: 00003646000000

Model: C16ENTHW20.00

Class: 54

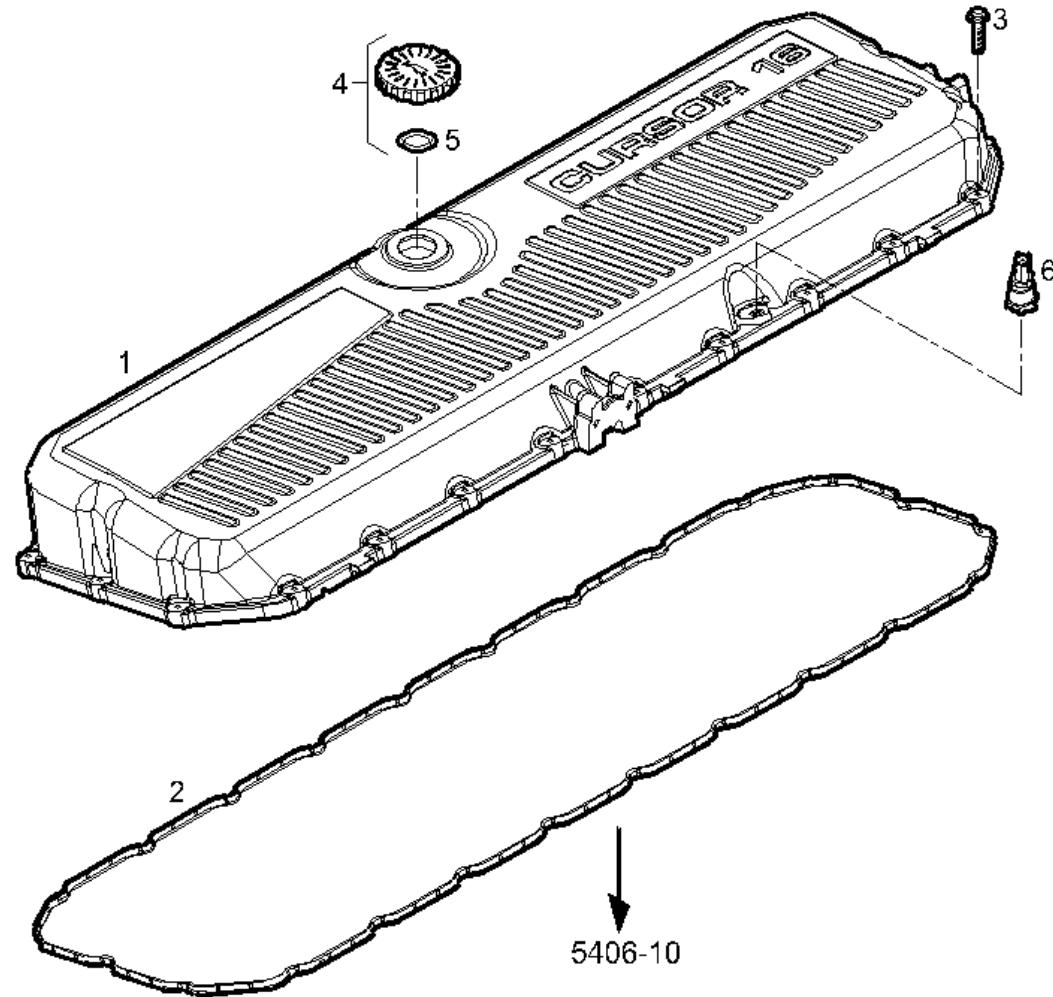
Group: 54 06

Subgroup: 54 06 13

Table: 187867

Pos.	Part Number	Qty.	Description	Standard Note	Modif.	Subst.	Time Sav.
1	500355778	12	INLET VALVE	EATON			
2	5801784358	12	EXHAUST VALVE				
3	504107641	24	SPRING CAP				
4	5801619646	24	OIL RETAINER			S	
5	504110997	24	ENGINE VALV.SPRIN				
6	98473050	24	TAPPET				
7	14196370	48	VALVE CONE	DIAM=9,82 MM		S	
8	5801700118	12	VALVE BRIDGE				

Table: 210292



Frame: C16ENTHW200005324

VP/PIC: 00003646000000

Model: C16ENTHW20.00

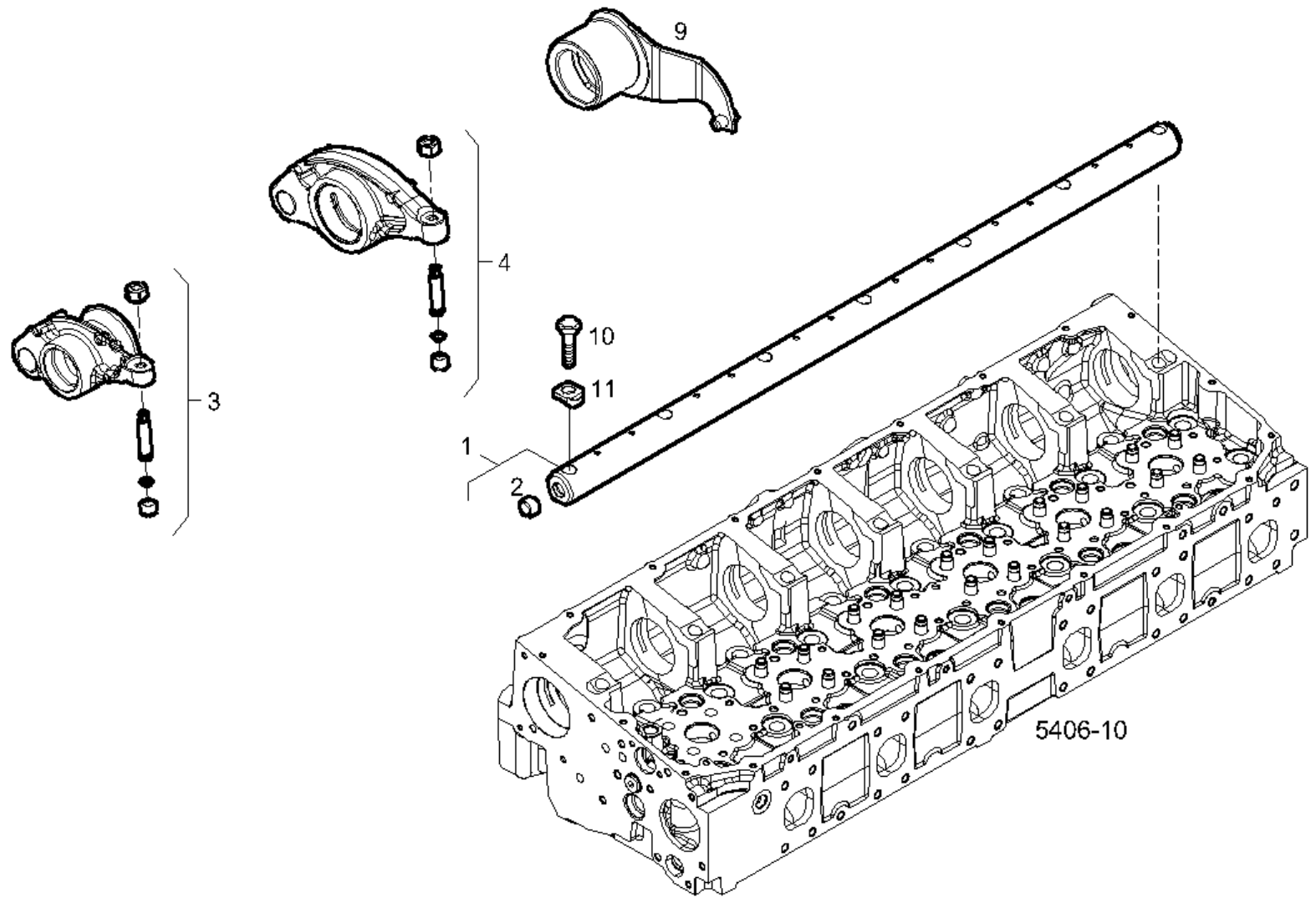
Class: 54

Group: 54 06

Subgroup: 54 06 30

Table: 210292

Pos.	Part Number	Qty.	Description	Standard Note	Modif.	Subst.	Time Sav.
1	5801898247	1	CYL. HEAD COVER				
2	5801678853	1	HEAD COVER GASKET				
3	16585925	24	HEXAGON BOLT	M6X25 MM			
4	504262827	1	OIL FILLER PLUG	ASSY			
5	98412146	1	GASKET				
6	504364902	1	BLOWBY PRESS. SENSOR	PRESSURE		S	



Frame: C16ENTHW200005324

VP/PIC: 00003646000000

Model: C16ENTHW20.00

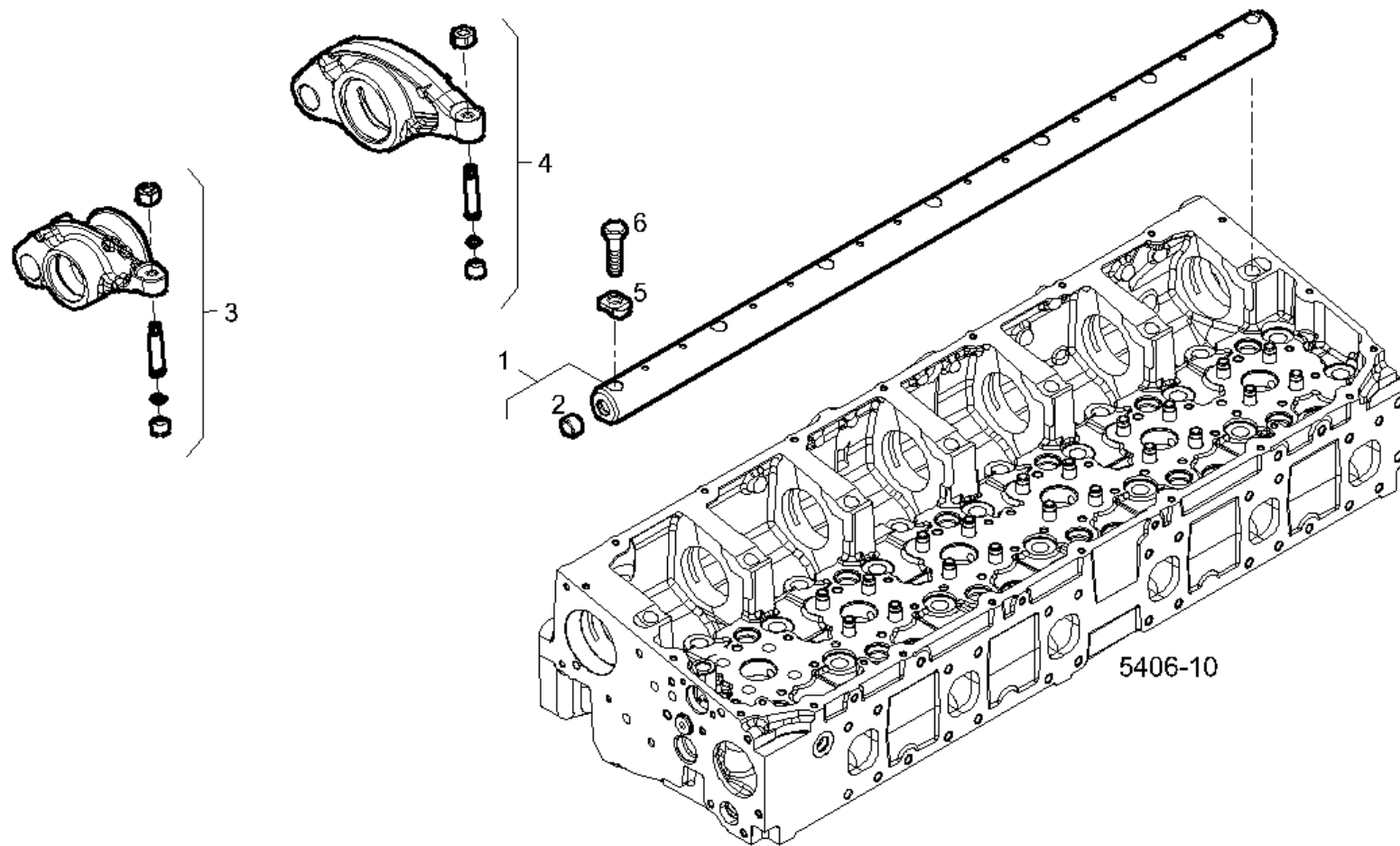
Class: 54

Group: 54 06

Subgroup: 54 06 68

Table: 141626

Pos.	Part Number	Qty.	Description	Standard Note	Modif.	Subst.	Time Sav.
1	504303856	1	ROCKER SHAFT				
2	16988301	2	LOCK PLUG	DIAM=20 MM			
3	5801660689	6	ROCKER ARM	INTAKE			
4	5801660699	6	ROCKER ARM	EXHAUST			
9	504368823	6	LEVER			S	
10	99475580	7	HEXAGON BOLT				
11	500344277	7	SPACING BAR				



Frame: C16ENTHW200005324

VP/PIC: 00003646000000

Model: C16ENTHW20.00

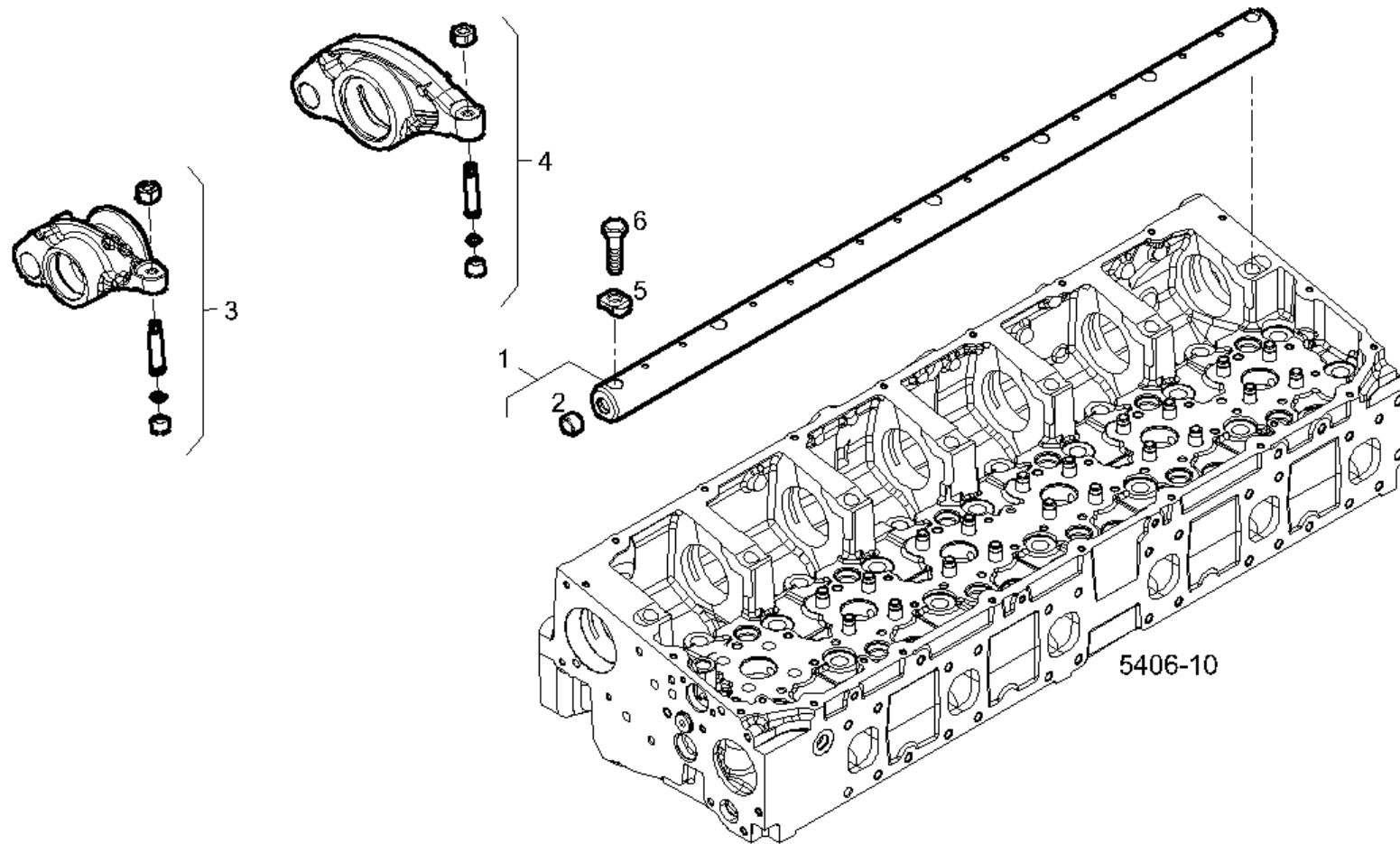
Class: 54

Group: 54 06

Subgroup: 54 06 68

Table: 221376

Pos.	Part Number	Qty.	Description	Standard Note	Modif.	Subst.	Time Sav.
1	504303856	1	ROCKER SHAFT				
2	16988301	2	LOCK PLUG	DIAM=20 MM			
3	5802244154	6	ROCKER ARM	EXHAUST		S	
4	5801660689	6	ROCKER ARM	INTAKE			
5	500344277	7	SPACING BAR				
6	99475580	7	HEXAGON BOLT				



Frame: C16ENTHW200005324

VP/PIC: 00003646000000

Model: C16ENTHW20.00

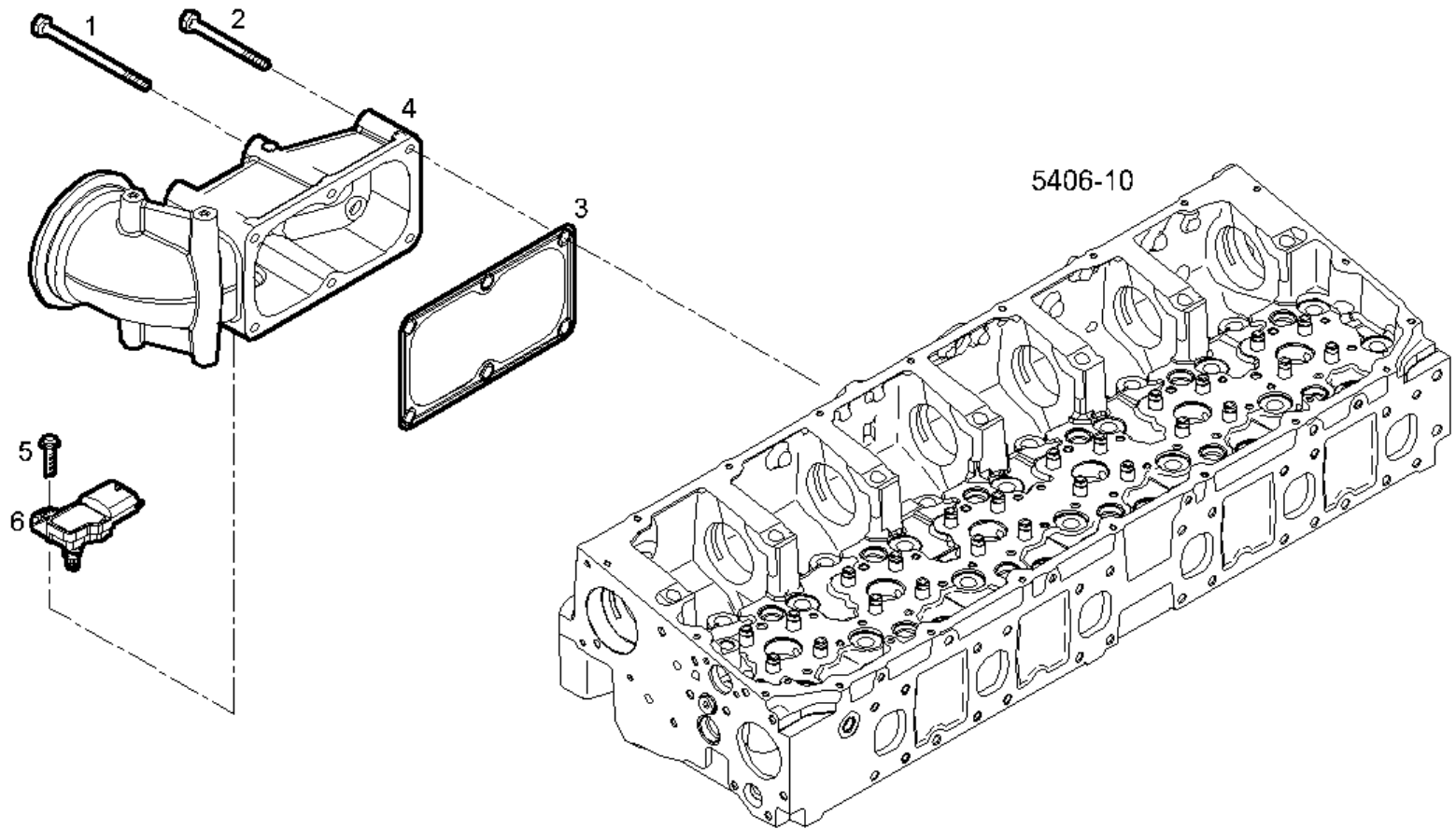
Class: 54

Group: 54 06

Subgroup: 54 06 68

Table: 249859

Pos.	Part Number	Qty.	Description	Standard Note	Modif.	Subst.	Time Sav.
1	504303856	1	ROCKER SHAFT				
2	16988301	2	LOCK PLUG	DIAM=20 MM			
3	5801660689	6	ROCKER ARM	INTAKE			
4	5802732657	6	ROCKER ARM				
5	500344277	7	SPACING BAR				
6	99475580	7	HEXAGON BOLT				



Frame: C16ENTHW200005324

VP/PIC: 00003646000000

Model: C16ENTHW20.00

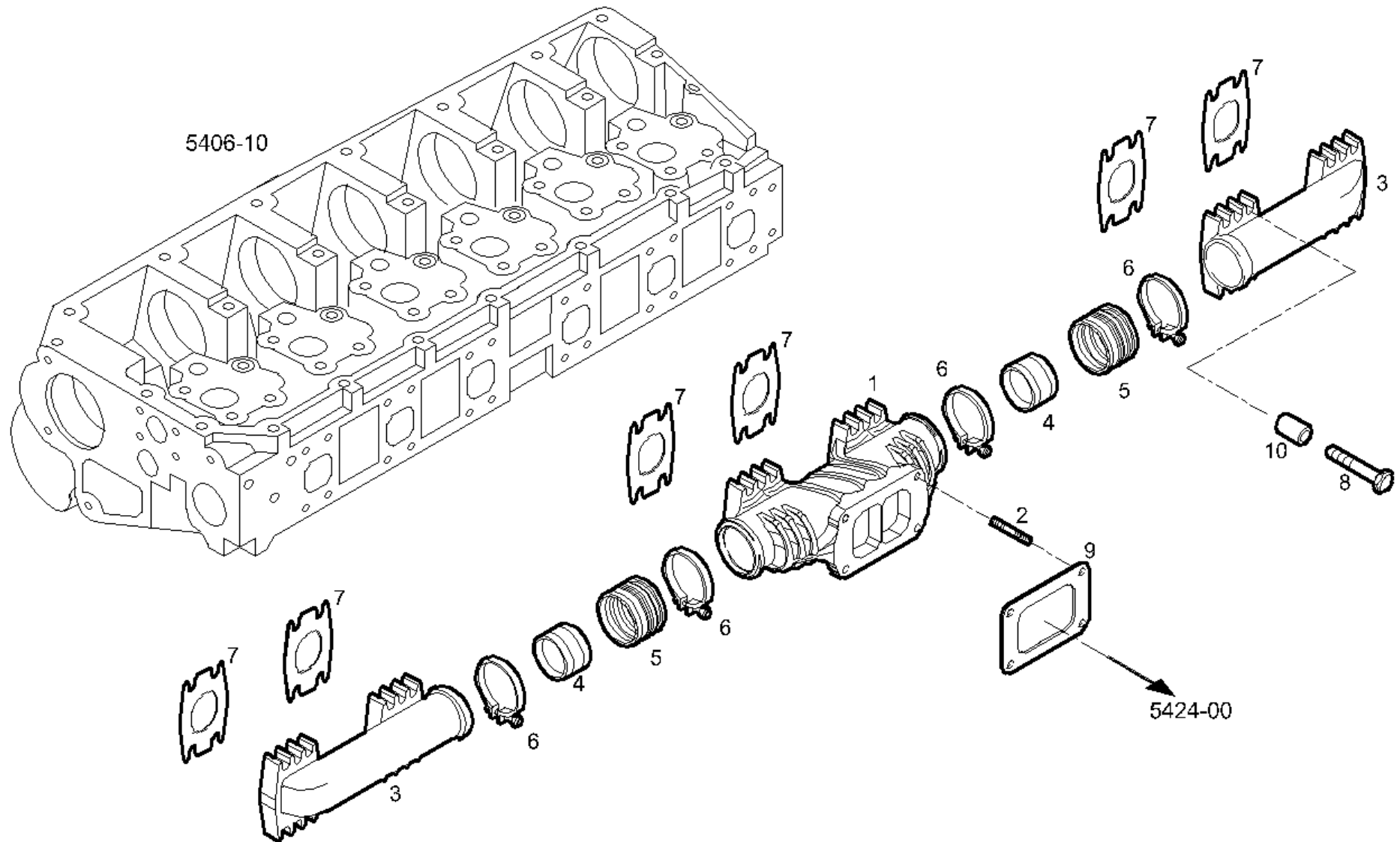
Class: 54

Group: 54 07

Subgroup: 54 07 10

Table: 153562

Pos.	Part Number	Qty.	Description	Standard Note	Modif.	Subst.	Time Sav.
1	16599225	5	HEXAGON BOLT	M10X140 MM			
2	16593125	1	HEXAGON BOLT	M10X100 MM			
3	504375264	1	FLAT GASKET ENGINE				
4	5801751496	1	INTAKE ELBOW				
5	16597225	1	HEXAGON BOLT	M6X18 MM			
6	504307953	1	AIR PRESSURE SENSOR	AIR PRESSURE		S	



Frame: C16ENTHW200005324

VP/PIC: 00003646000000

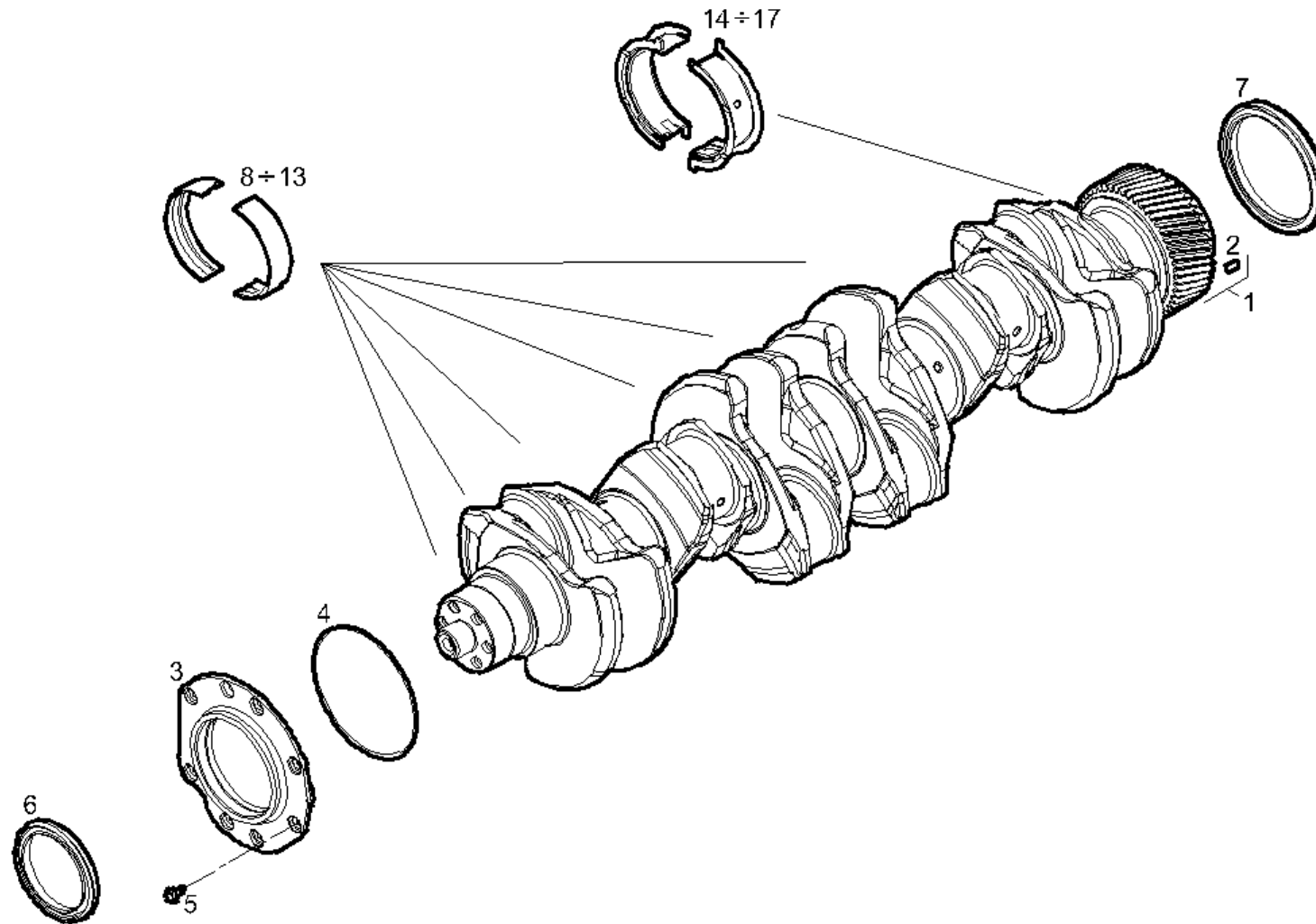
Model: C16ENTHW20.00

Class: 54

Group: 54 07

Subgroup: 54 07 80**Table: 153298**

Pos.	Part Number	Qty.	Description	Standard Note	Modif.	Subst.	Time Sav.
1	5801692171	1	EXHAUST MANIFOLD				
2	99463138	4	STUD	M12X1,75X48 MM			
3	504030852	2	EXHAUST MANIFOLD				
4	99443770	2	CONNECTOR SLEEVE				
5	504383383	2	CONNECTOR SLEEVE				
6	504047549	4	CLIP				
7	504154280	6	EXH. MANIFOLD GKT				
8	504078465	24	HEXAGON BOLT	M10X1,5X70 MM			
9	99456095	1	GASKET	FOR TURBOCHARGER			
10	504074155	24	SPACING BAR	DIAM=10 MM L=32 MM			



Frame: C16ENTHW200005324

VP/PIC: 00003646000000

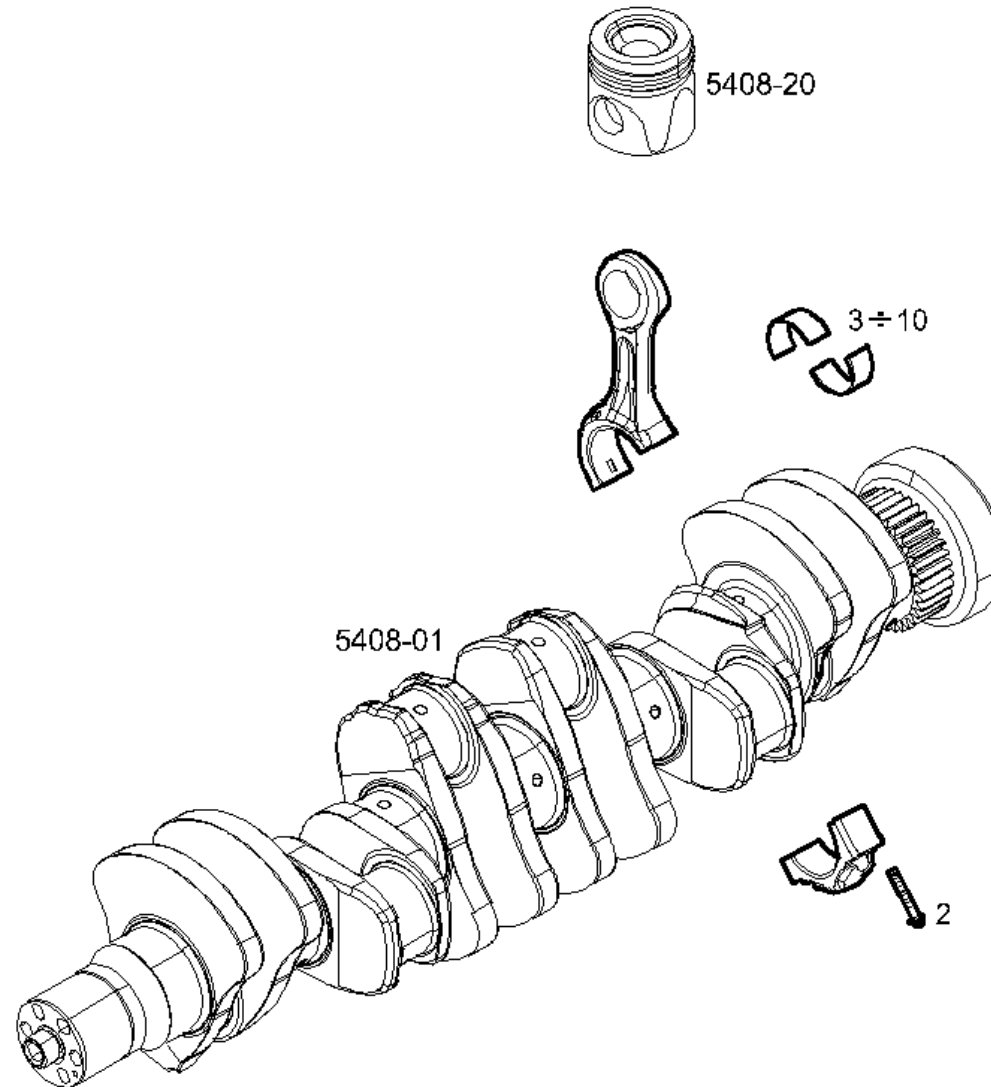
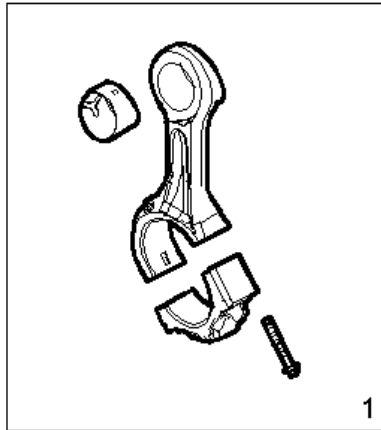
Model: C16ENTHW20.00

Class: 54

Group: 54 08

Subgroup: 54 08 01**Table: 153160**

Pos.	Part Number	Qty.	Description	Standard Note	Modif.	Subst.	Time Sav.
1	5801586852	1	CRANK SHAFT	ASSY			
2	17275410	1	DOWEL PIN	DIAM=8 MM			
3	5801700832	1	FRONT C.CASE COVER				
4	17293281	1	O-RING	DIAM=167,7 MM SP=3,53 MM			
5	16586225	8	HEXAGON BOLT	M8X1,25X16 MM			
6	5801625923	1	SHAFT SEAL				
7	504348291	1	SHAFT SEAL				
8	8099126	6	MAIN BEARING SET	RED			
9	8099127	6	MAIN BEARING SET	GREEN			
10	8099128	6	MAIN BEAR.SET -0.1	RED BLACK			
11	8099129	6	MAIN BEAR.SET -0.1	GREEN BLACK			
12	8099130	6	MAIN BEAR.SET -0.2	RED			
13	8099131	6	MAIN BEAR.SET -0.5	RED			
14	8099132	1	THRUSTRING SET STD	RED			
15	8099133	1	THRUSTRING SET STD	GREEN			
16	8099134	1	THRUSTRING SET+0.2	-0,254 MM RED			
17	8099135	1	THRUSTRING SET+0.5	-0,508 MM RED			



Frame: C16ENTHW200005324

VP/PIC: 00003646000000

Model: C16ENTHW20.00

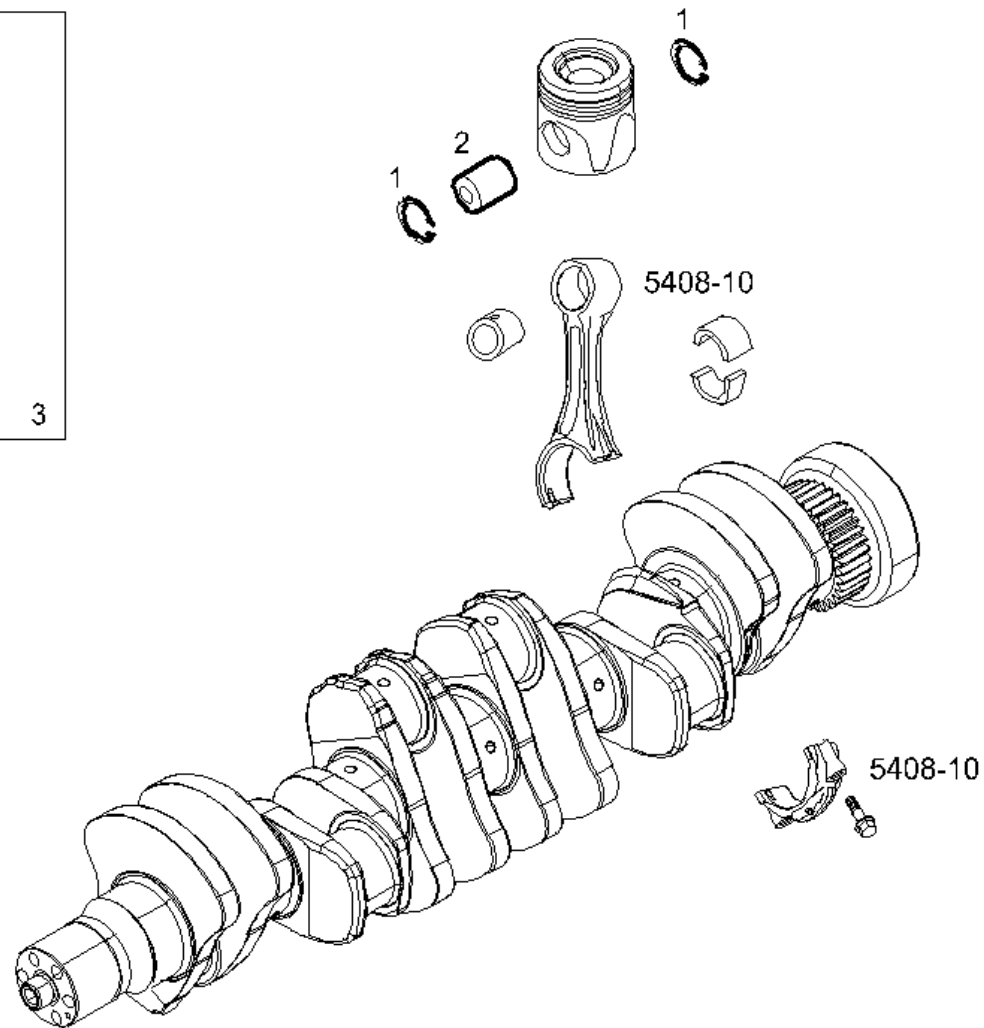
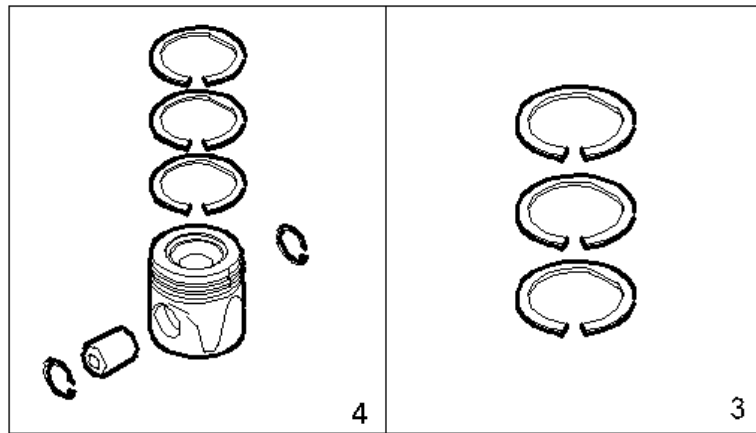
Class: 54

Group: 54 08

Subgroup: 54 08 10

Table: 153035

Pos.	Part Number	Qty.	Description	Standard Note	Modif.	Subst.	Time Sav.
1	5801631677	6	CONN.ROD ASSY.	ASSY			
2	504322839	24	BIG-END BOLT	M12X1,75			
3	8099116	6	CON.ROD BEAR STD.	RED			
4	8099117	6	CON.ROD BEAR STD.	GREEN			
5	8099118	6	CON.ROD BEAR-0,127	RED BLACK			
6	8099119	6	CON.ROD BEAR-0,127	GREEN BLACK			
7	8099120	6	CON.ROD BEAR-0,254	RED			
8	8099121	6	CON.ROD BEAR-0,254	GREEN			
9	8099122	6	CON.ROD BEAR-0,508	RED			
10	8099123	6	CON.ROD BEAR-0,508	GREEN			



Frame: C16ENTHW200005324

VP/PIC: 00003646000000

Model: C16ENTHW20.00

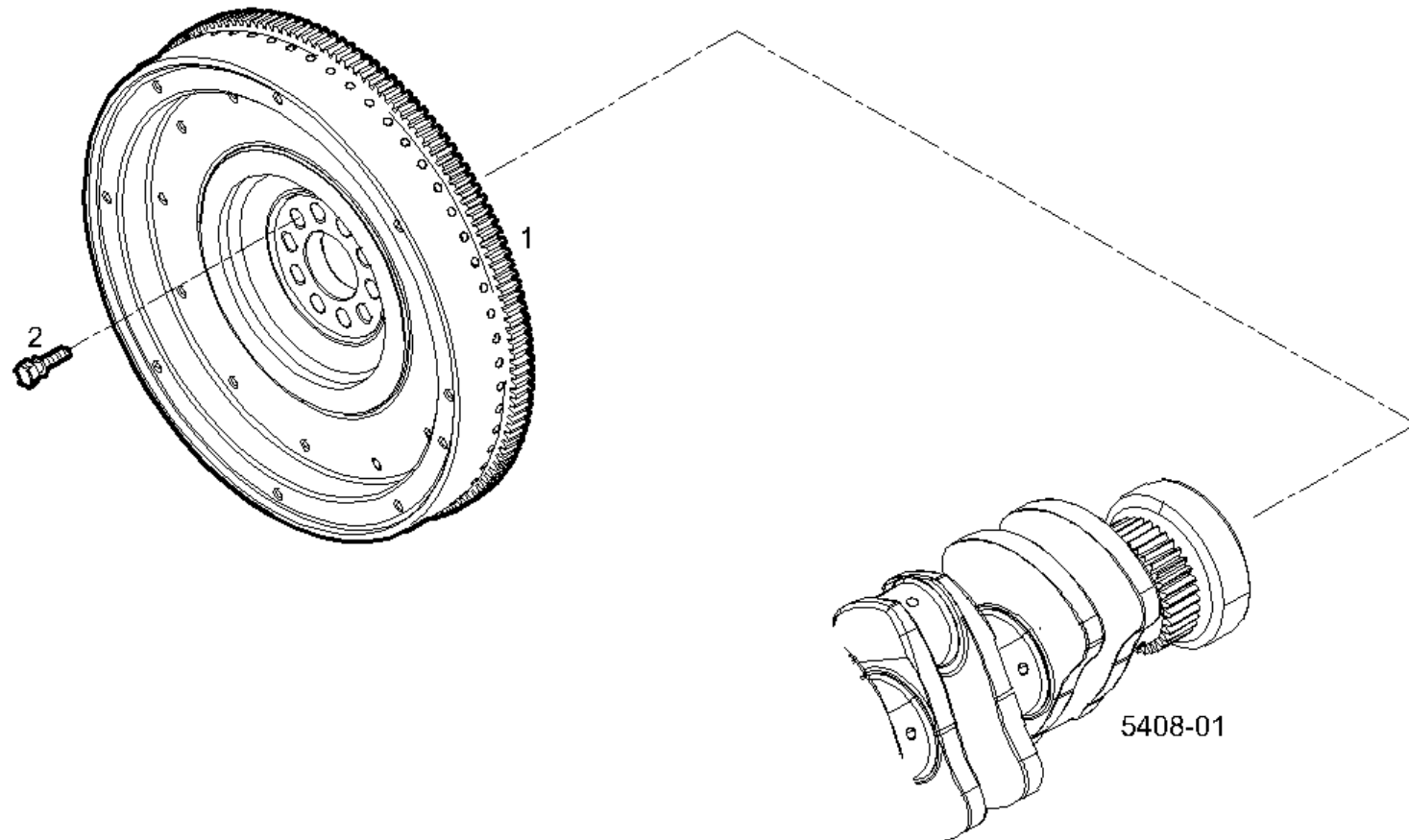
Class: 54

Group: 54 08

Subgroup: 54 08 20

Table: 153060

Pos.	Part Number	Qty.	Description	Standard Note	Modif.	Subst.	Time Sav.
1	5801508795	12	CIRCLIP				
2	5801751097	6	PISTON PIN				
3	8099124	6	PISTONRING SET STD				
4	8099125	6	PISTON ASSY				



Frame: C16ENTHW200005324

VP/PIC: 00003646000000

Model: C16ENTHW20.00

Class: 54

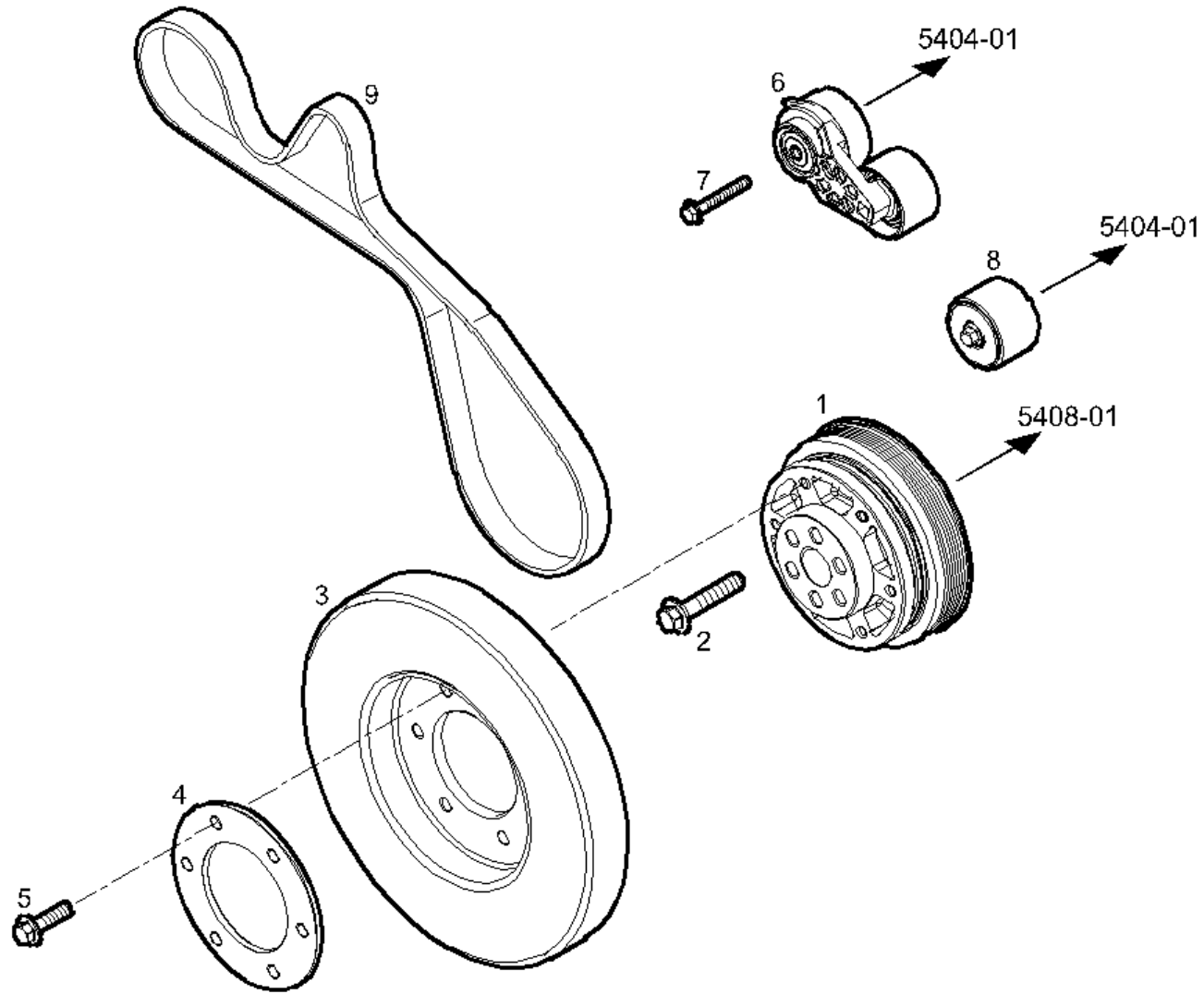
Group: 54 08

Subgroup: 54 08 30

Table: 153047

Pos.	Part Number	Qty.	Description	Standard Note	Modif.	Subst.	Time Sav.
1	5801586870	1	FLYWHEEL	ASSY		S	
2	504339737	10	HEXAGON BOLT				

Table: 210291



Frame: C16ENTHW200005324

VP/PIC: 00003646000000

Model: C16ENTHW20.00

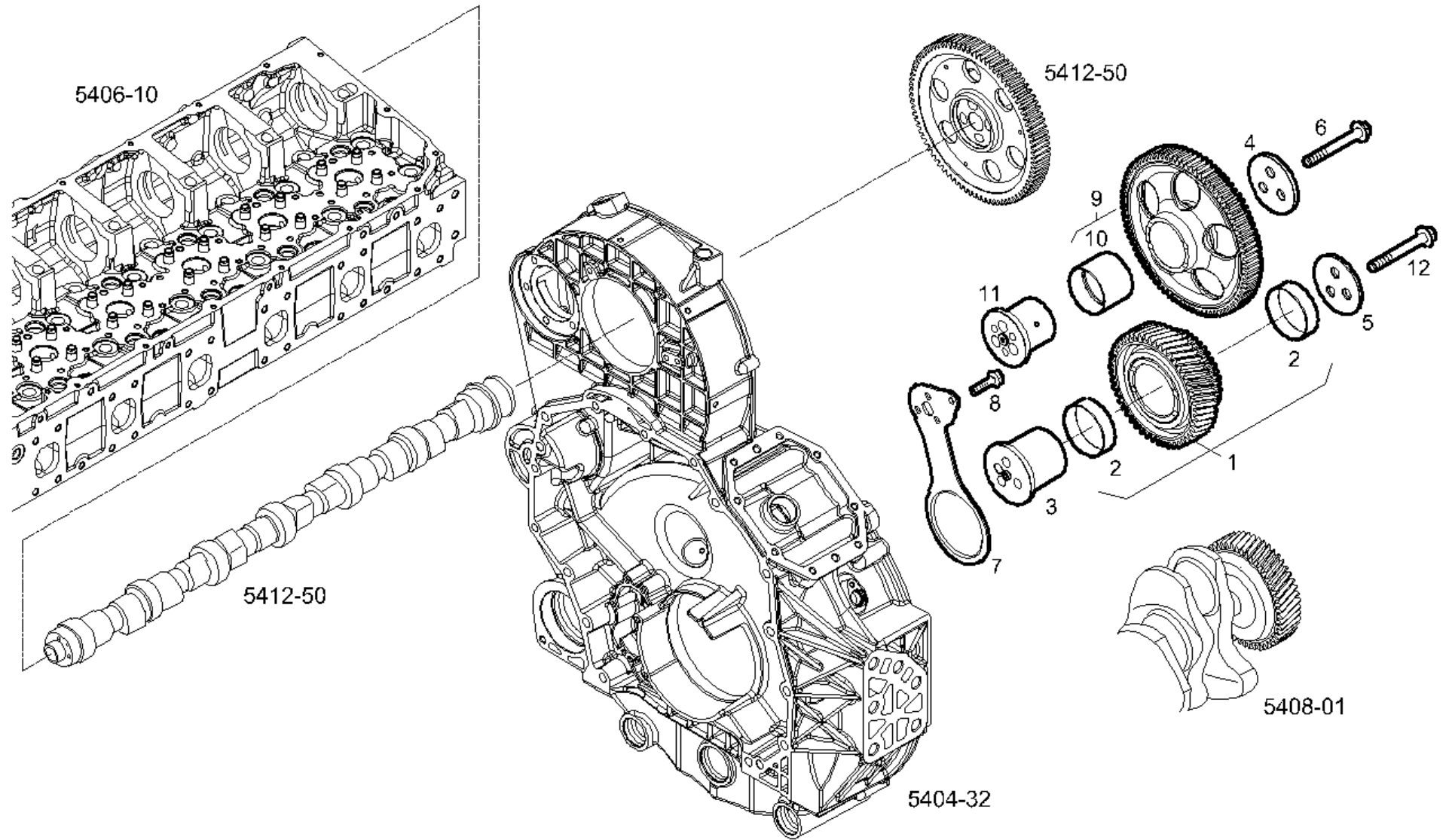
Class: 54

Group: 54 08

Subgroup: 54 08 43

Table: 210291

Pos.	Part Number	Qty.	Description	Standard Note	Modif.	Subst.	Time Sav.
1	5801697127	1	PULLEY				
2	16683435	6	HEXAGON BOLT	M16X80 MM		S	
3	5802209554	1	VIBRATION DAMPER				
4	504104423	1	STOP WASHER				
5	16680535	6	HEXAGON BOLT	M14X50 MM			
6	5802025650	1	BELT TENSIONER				
7	16592835	1	HEXAGON BOLT				
8	5801629799	2	GUIDE PULLEY				
9	5801616098	1	V-BELT	L=1691 MM			



Frame: C16ENTHW200005324

VP/PIC: 00003646000000

Model: C16ENTHW20.00

Class: 54

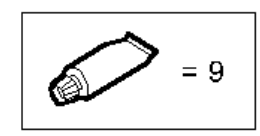
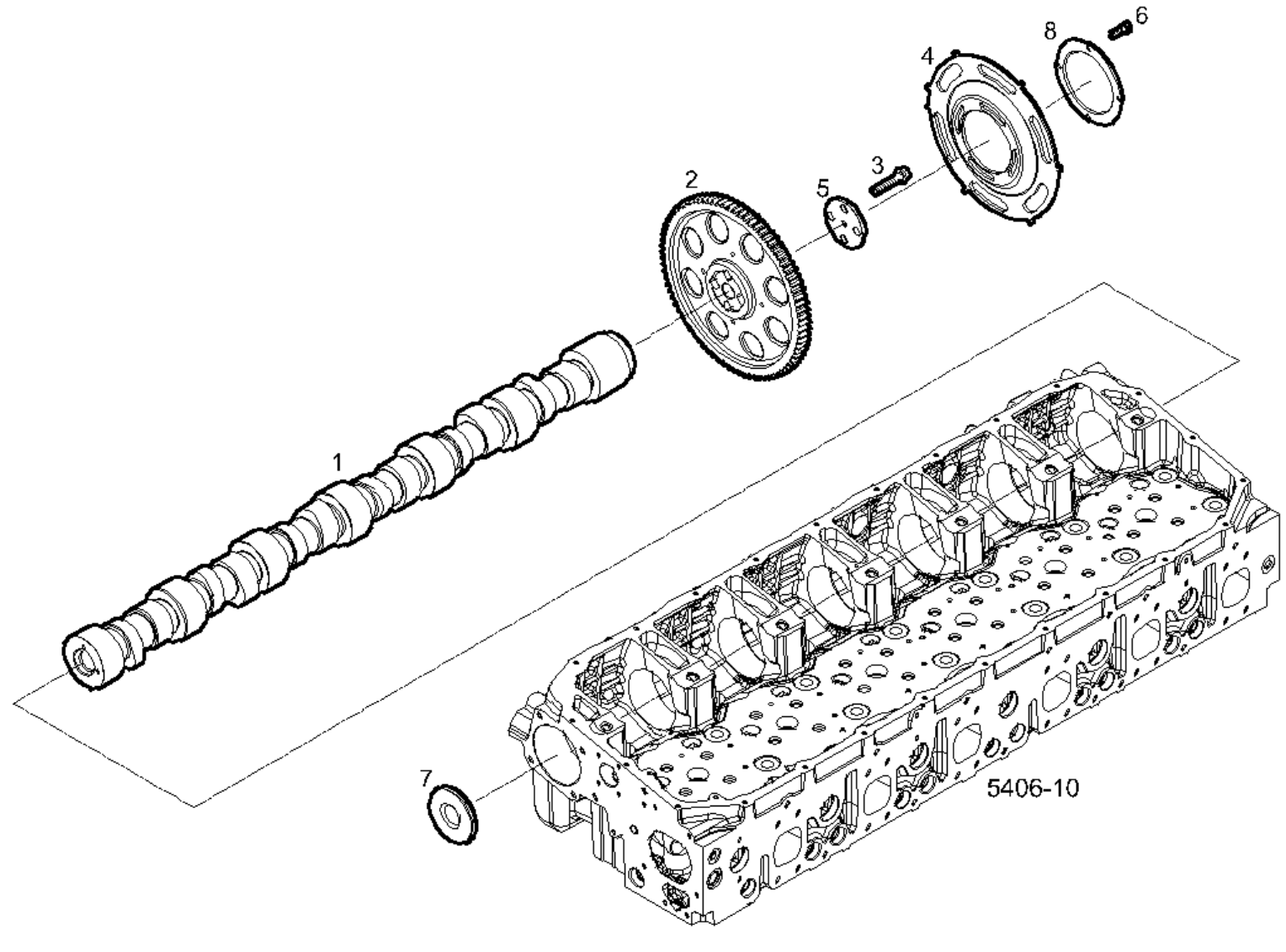
Group: 54 10

Subgroup: 54 10 00

Table: 153068

Pos.	Part Number	Qty.	Description	Standard Note	Modif.	Subst.	Time Sav.
1	5801586921	1	GEAR				
2	98475174	2	BUSH				
3	5803405083	1	PIN				
4	500305013	1	STOP WASHER				
5	500305012	1	STOP WASHER				
6	16679134	3	HEXAGON BOLT	M12X100 MM			
7	5801586930	1	RETAINER				
8	500356757	1	HEXAGON BOLT				
9	5801586936	1	GEAR				
10	500304204	1	DOWEL BUSH				
11	500304187	1	PIN	M12X100 MM			
12	18264034	3	HEXAGON BOLT	M12X95 MM			

Table: 160241



Frame: C16ENTHW200005324

VP/PIC: 00003646000000

Model: C16ENTHW20.00

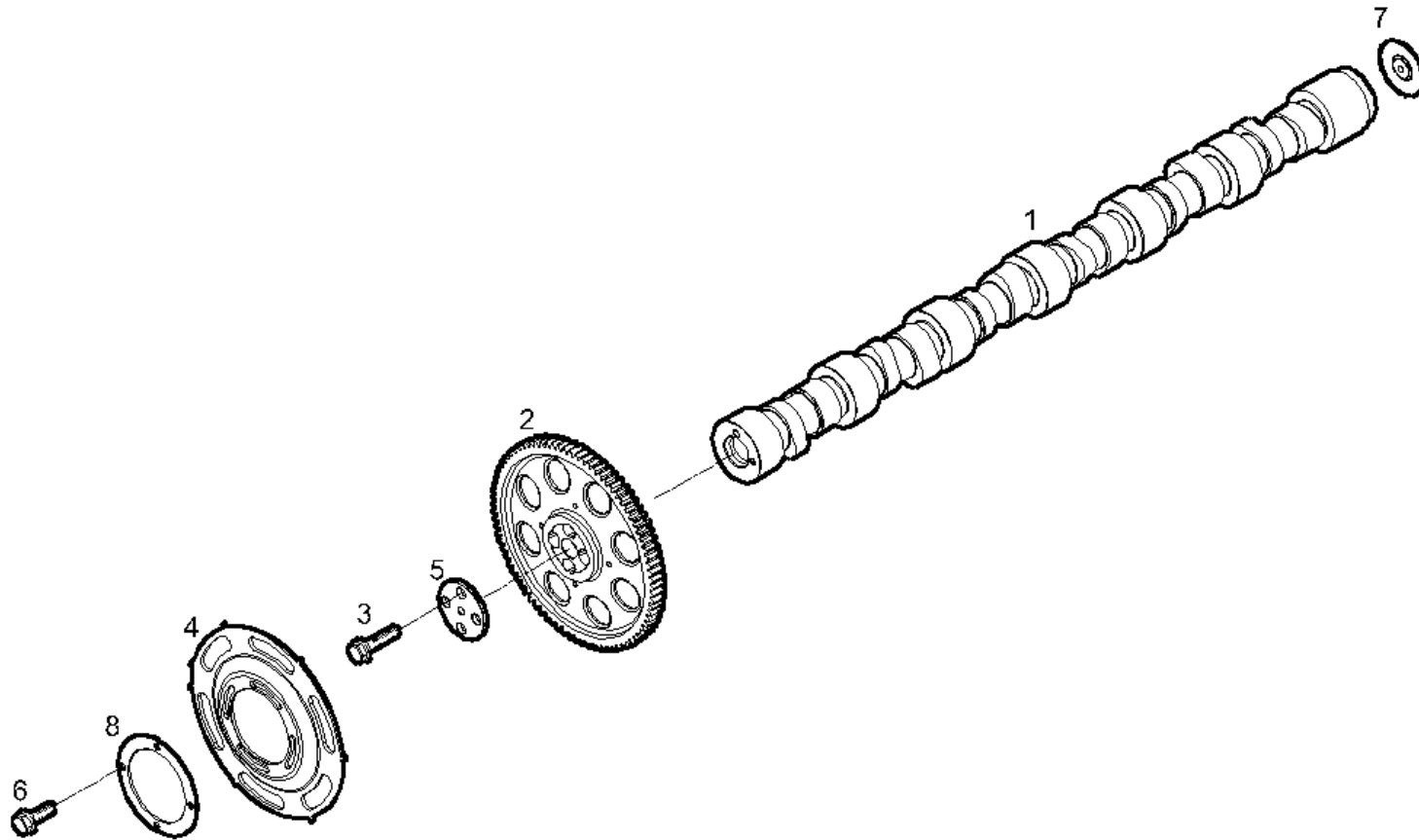
Class: 54

Group: 54 12

Subgroup: 54 12 50

Table: 160241

Pos.	Part Number	Qty.	Description	Standard Note	Modif.	Subst.	Time Sav.
1	5801832999	1	CAMSHAFT				
2	5801491984	1	CAMSHAFT PINION				
3	99431774	4	BIG-END BOLT				
4	504374044	1	PLATE				
5	98496024	1	SPACING BAR				
6	5802284553	4	HEXAGON BOLT	M8X1,25X22 MM			
7	5801655015	1	COVER			S	
8	5801468491	1	SPACING BAR				
9	5801776002	1	ADHESIVE			S	



Frame: C16ENTHW200005324

VP/PIC: 00003646000000

Model: C16ENTHW20.00

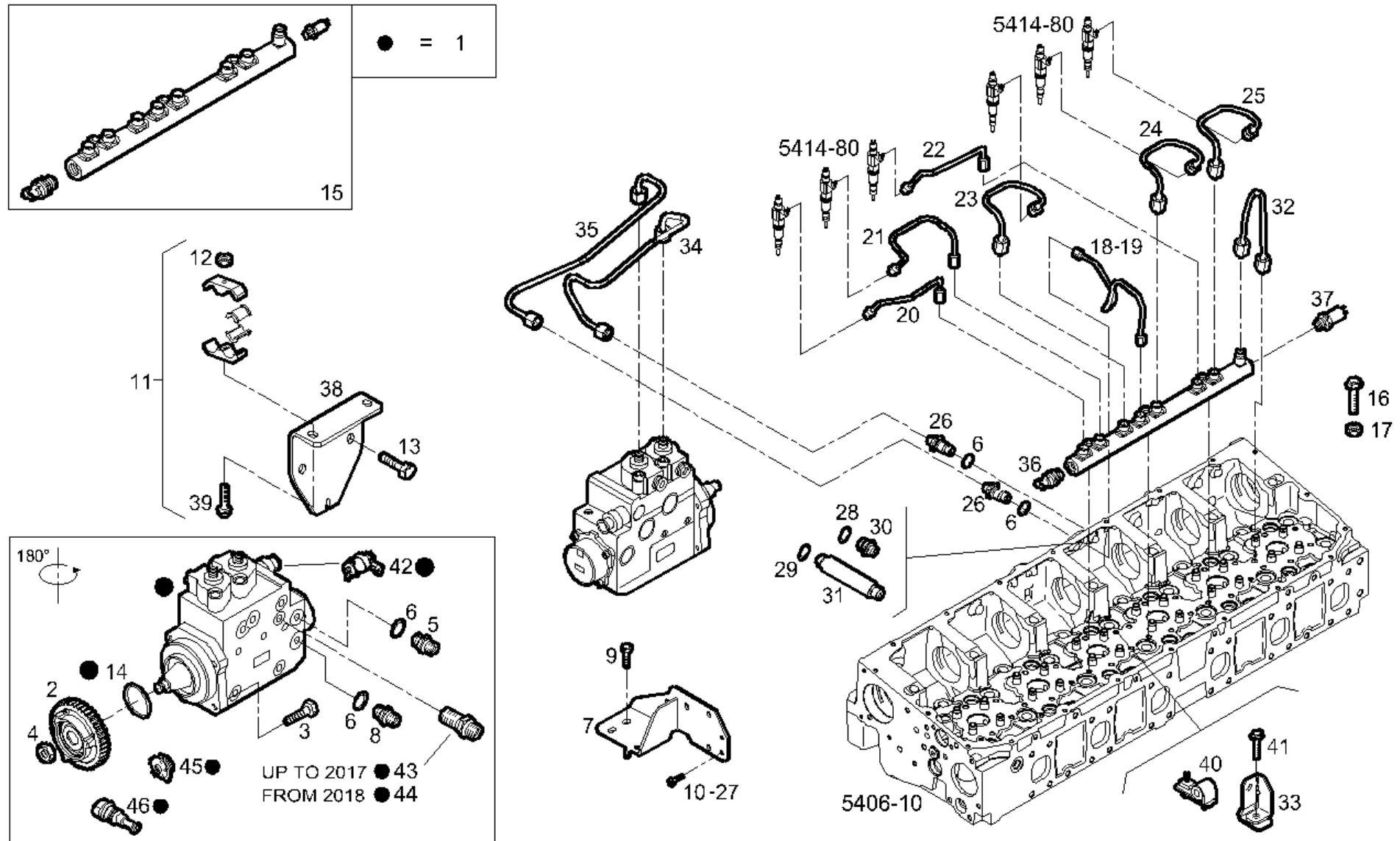
Class: 54

Group: 54 12

Subgroup: 54 12 50

Table: 330166

Pos.	Part Number	Qty.	Description	Standard Note	Modif.	Subst.	Time Sav.
1	5802363608	1	CAMSHAFT			S	
2	5801491984	1	CAMSHAFT PINION				
3	99431774	4	BIG-END BOLT				
4	504374044	1	PLATE				
5	98496024	1	SPACING BAR				
6	5802284553	4	HEXAGON BOLT	M8X1,25X22 MM			
7	5802193161	1	FRONT OIL SEAL COV				
8	5801468491	1	SPACING BAR				



Frame: C16ENTHW200005324

VP/PIC: 00003646000000

Model: C16ENTHW20.00

Class: 54

Group: 54 14

Subgroup: 54 14 00**Table: 187960**

Pos.	Part Number	Qty.	Description	Standard Note	Modif.	Subst.	Time Sav.
1	5802805240	1	HIGH PRESSURE PUMP				
2	504381668	1	INJ.PUMP DRIV.GEA				
3	16587325	4	HEXAGON BOLT	M10X1,5X35 MM			
4	500392673	1	HEXAGON NUT	M24X1,5		S	
5	16509314	1	SWIVEL COUPLING				
6	99489020	6	SEAL GASKET	DIAM=18 MM		S	
7	5801642232	1	RETAINER				
8	5801484262	3	SCREW CONNECTOR				
9	16588025	2	HEXAGON BOLT	M12X30 MM		S	
10	18139424	2	HEXAGON BOLT	M10X20 MM		S	
11	5801873122	2	DOWEL				
12	17044625	2	HEXAGON NUT	M6		S	
13	16673535	3	HEXAGON BOLT	M8X16 MM			
14	42574655	1	O-RING				
15	504388755	1	HYDRAULIC CYLINDER				
16	16586825	3	HEXAGON BOLT	M8X1,25X45 MM			
17	17044725	1	HEXAGON NUT	M8X1,25			
18	5801494451	1	INJECTION LINE				
19	5801494470	1	INJECTION LINE				
20	504373512	1	FUEL LINE				

Frame: C16ENTHW200005324

VP/PIC: 00003646000000

Model: C16ENTHW20.00

Class: 54

Group: 54 14

Subgroup: 54 14 00**Table: 187960**

Pos.	Part Number	Qty.	Description	Standard Note	Modif.	Subst.	Time Sav.
21	504373513	1	INJECTION LINE				
22	504373514	1	INJECTION LINE				
23	5801878632	1	INJECTION LINE				
24	504373516	1	INJECTION LINE				
25	504373517	1	INJECTION LINE				
26	5801695386	2	THROUGH FITTING				
27	16673635	2	HEXAGON BOLT	M8X1,25X20 MM			
28	4858609	1	SEAL GASKET	DIAM=16X22 MM SP=1,5			
29	5801696011	1	WASHER	DIAM=14X22 MM			
30	504373643	1	SCREW CONNECTOR	M18X1,5X36 MM			
31	504373532	1	CONNECTOR			S	
32	504384719	1	INJECTION LINE				
33	5801479981	2	RETAINER				
34	5801574782	1	INJECTION LINE				
35	5801574786	1	INJECTION LINE				
36	5801483105	1	RAIL PRESSURE SENSOR				
37	5801483106	1	RAIL PRESSURE VALVE				
38	5801494717	1	RETAINER				
39	16586125	2	HEXAGON BOLT	M6X35 MM			
40	504388291	2	RETAINER				

Frame: C16ENTHW200005324

VP/PIC: 00003646000000

Model: C16ENTHW20.00

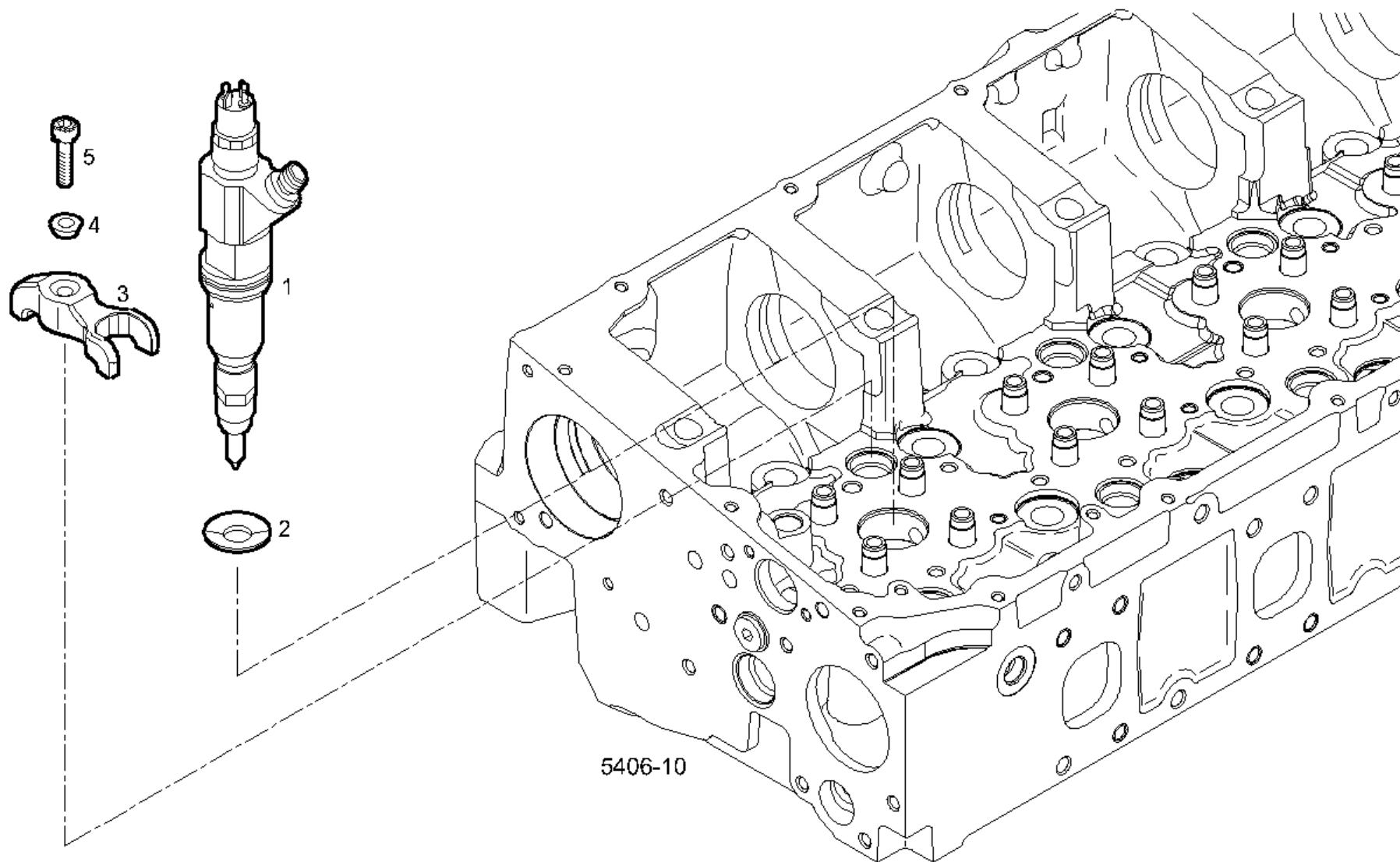
Class: 54

Group: 54 14

Subgroup: 54 14 00

Table: 187960

Pos.	Part Number	Qty.	Description	Standard Note	Modif.	Subst.	Time Sav.
41	16600224	2	HEXAGON BOLT	M8X1,25X18 MM			
42	5802068164	1	FUEL PUMP PRES.VALVE	PER POMPA COMBUSTIBILE			
43	42581938	1	ELECTROVALVE		M		
44	5802902107	1	ELECTROVALVE	KUV	M		
45	503777326	1	GEAR PUMP	BOMBA DE ENGRENAGENS			
46	503777325	1	PRESSURE LIMITING	PLV			



Frame: C16ENTHW200005324

VP/PIC: 00003646000000

Model: C16ENTHW20.00

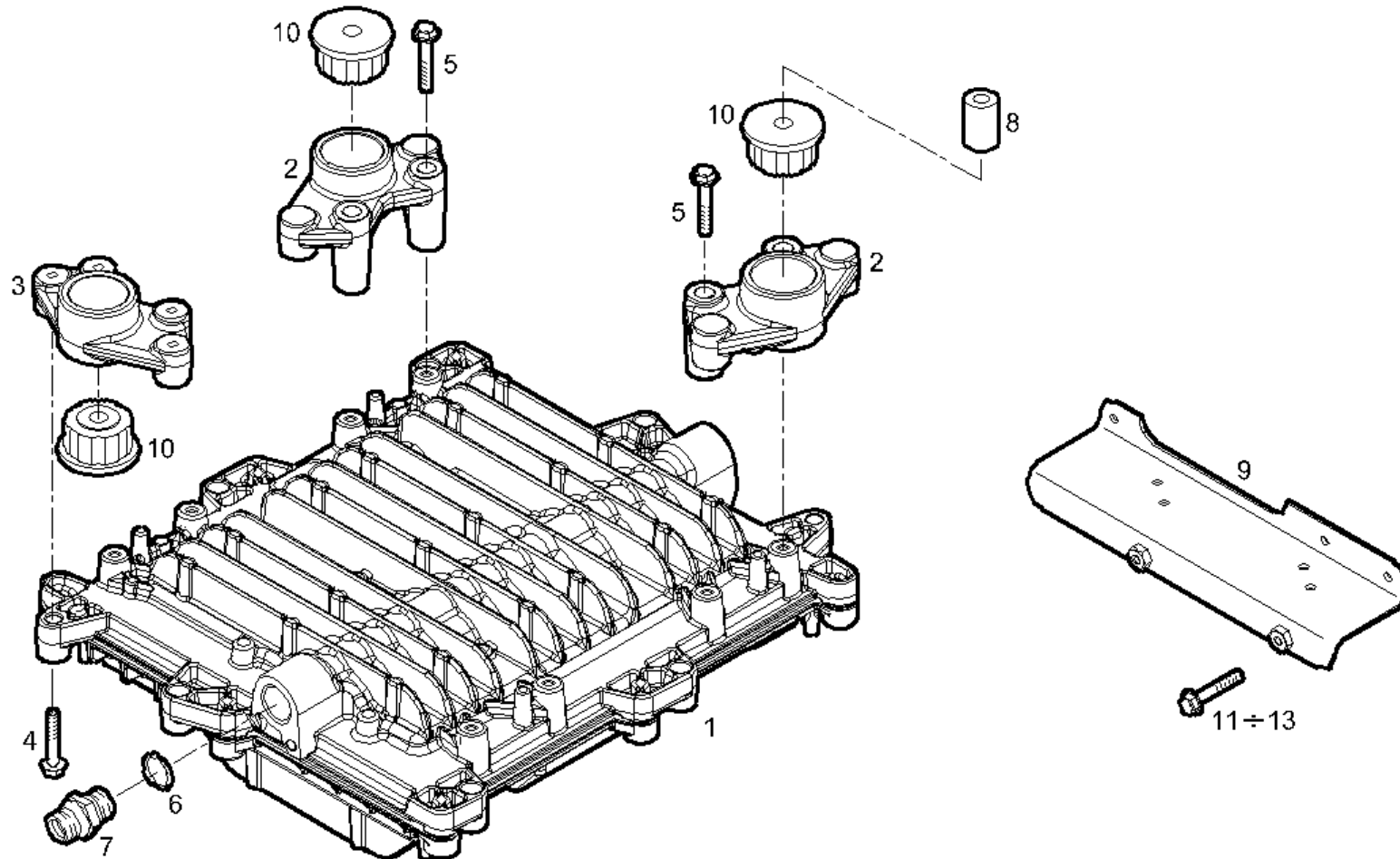
Class: 54

Group: 54 14

Subgroup: 54 14 80

Table: 187961

Pos.	Part Number	Qty.	Description	Standard Note	Modif.	Subst.	Time Sav.
1	5801906154	6	ELECTRICAL INJECTION				
2	504262598	6	WASHER			S	
3	5802028162	6	FASTENING BRACKET				
4	5802032119	6	WASHER				
5	16707834	6	CYLIND-HEAD SCREW	M8X55 MM			



Frame: C16ENTHW200005324

VP/PIC: 00003646000000

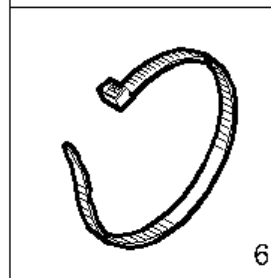
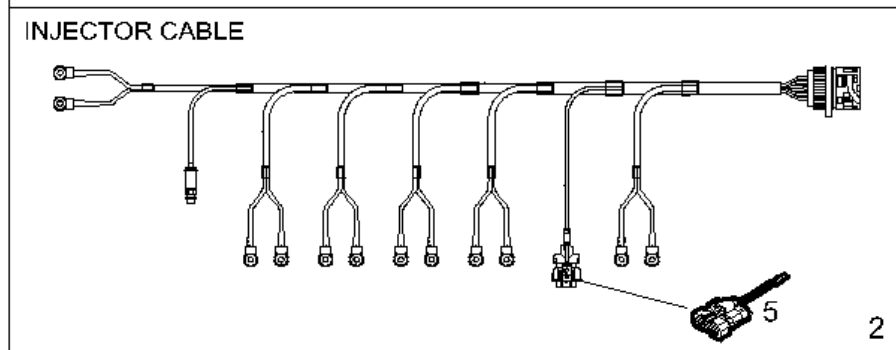
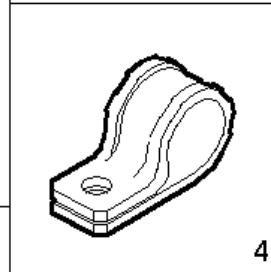
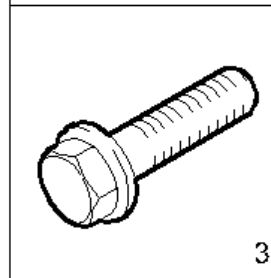
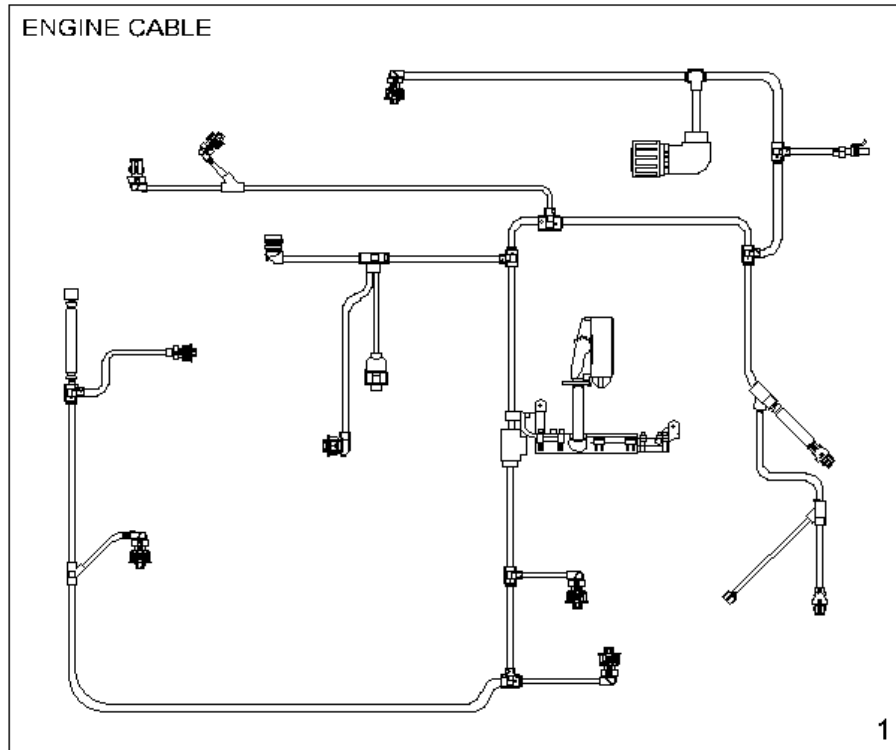
Model: C16ENTHW20.00

Class: 54

Group: 54 17

Subgroup: 54 17 01**Table: 154862**

Pos.	Part Number	Qty.	Description	Standard Note	Modif.	Subst.	Time Sav.
1	504388754	1	ENGINE ECU				R
2	504368710	2	SUPPORT				
3	504297839	1	SUPPORT				
4	16586025	2	HEXAGON BOLT	M6X30 MM			
5	17935001	4	CUTTING SCREW				
6	5801560870	2	SEAL GASKET	DIAM=16X24 MM SP=1,5			
7	5801496226	2	CONNECTOR				
8	61319288	2	SPACING BAR				
9	5801777023	1	RETAINER				
10	5801406998	6	RUBBER LUG				
11	16586825	1	HEXAGON BOLT	M8X1,25X45 MM			
12	16592325	2	HEXAGON BOLT	M8X60 MM			
13	16585925	2	HEXAGON BOLT	M6X25 MM			



PLUG KIT FOR INJECTOR CABLE = 7

Frame: C16ENTHW200005324

VP/PIC: 00003646000000

Model: C16ENTHW20.00

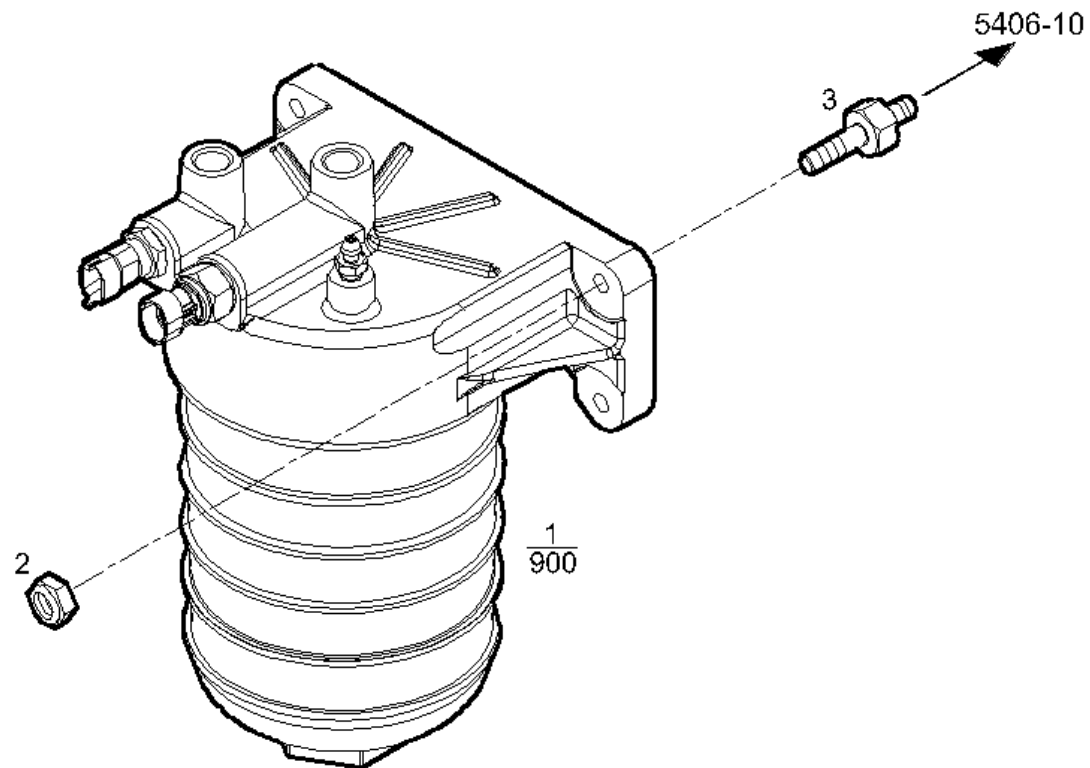
Class: 54

Group: 54 17

Subgroup: 54 17 30

Table: 210730

Pos.	Part Number	Qty.	Description	Standard Note	Modif.	Subst.	Time Sav.
1	5801983268	1	MOTOR HARNESS				
2	5802213871	1	INJECTOR CABLE			S	
3	16585625	6	HEXAGON BOLT	M6X12 MM			
4	18177598	2	CLIP	DIAM=10 MM			
5	5802212710	1	WIRE/CABLE				
6	42099097	7	CABLE STRAP	L=380 MM			
7	500086852	1	REPAIR KIT				



Frame: C16ENTHW200005324

VP/PIC: 00003646000000

Model: C16ENTHW20.00

Class: 54

Group: 54 20

Subgroup: 54 20 00

Table: 153433

Pos.	Part Number	Qty.	Description	Standard Note	Modif.	Subst.	Time Sav.
1	5801611951	1	FUEL FILTER	ASSY		S	
2	17044725	4	HEXAGON NUT	M8X1,25			
3	5801708981	4	STUD				

Frame: C16ENTHW200005324

VP/PIC: 00003646000000

Model: C16ENTHW20.00

Class: 54

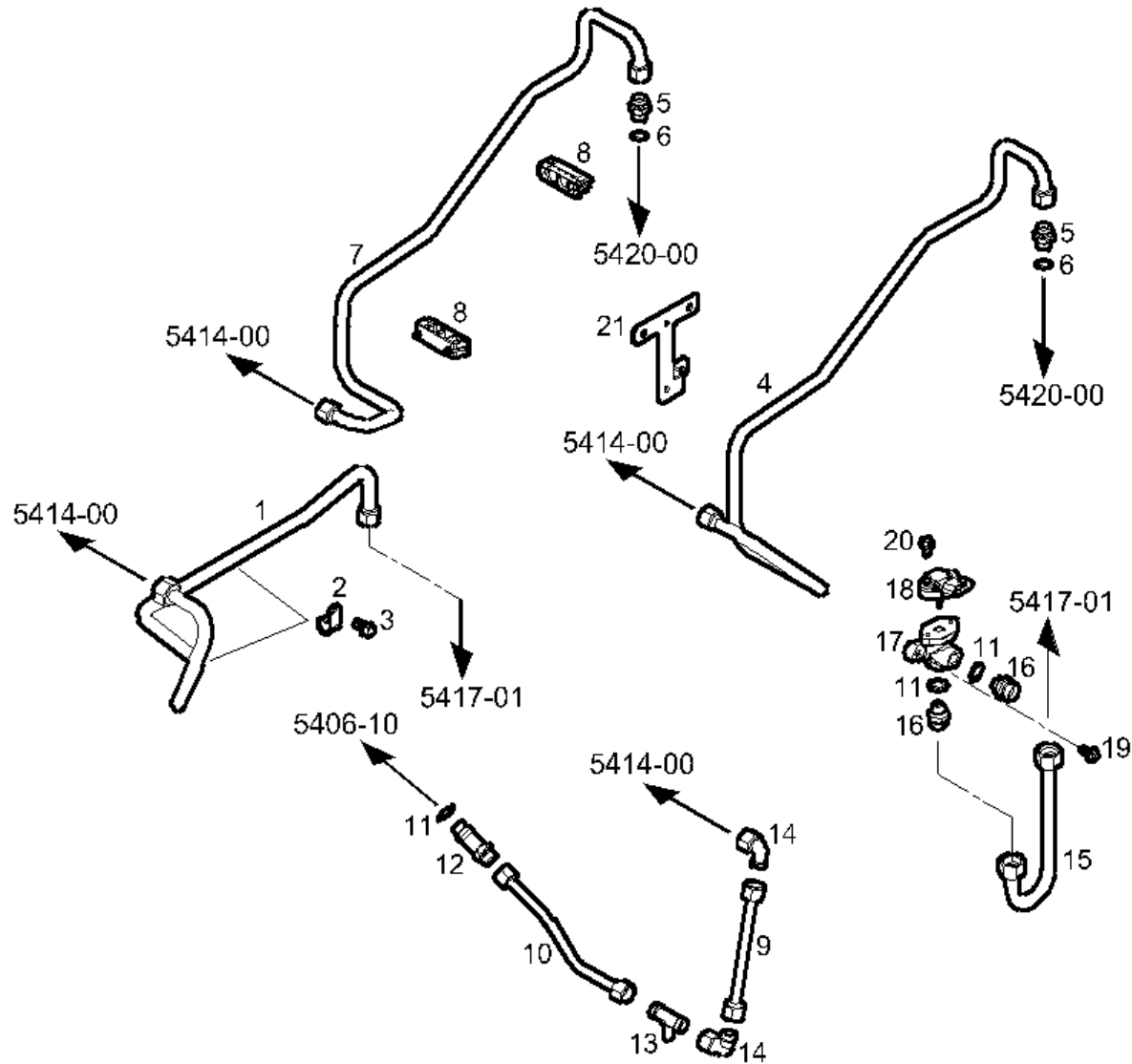
Group: 54 20

Subgroup: 54 20 00

Table: 153433

Pos.	Description	Table
900	773189	153127

Table: 153574



Frame: C16ENTHW200005324

VP/PIC: 00003646000000

Model: C16ENTHW20.00

Class: 54

Group: 54 20

Subgroup: 54 20 30**Table: 153574**

Pos.	Part Number	Qty.	Description	Standard Note	Modif.	Subst.	Time Sav.
1	5801770912	1	FUEL LINE				
2	99453771	2	RETAINER				
3	16586225	2	HEXAGON BOLT	M8X1,25X16 MM			
4	5801501538	1	FUEL LINE			S	
5	504081274	2	THREADED UNION	M16X1,5 - M18X1,5			
6	16508260	2	WASHER	DIAM=16X20 MM			
7	5801501533	1	FUEL LINE				
8	5801477879	2	LOCK				
9	504375711	1	FUEL LINE				
10	504388514	1	FUEL LINE				
11	5801560870	4	SEAL GASKET	DIAM=16X24 MM SP=1,5			
12	500310076	1	CONNECTOR	M16X1,5 - M18X1,5			
13	16506019	1	T-COUPLING	M18X1,5			
14	16504114	2	ELBOW COUPLING	M18X1,5			
15	5801744070	1	FUEL LINE				
16	5801496226	2	CONNECTOR				
17	5801609467	1	SUPPORT				
18	5801526037	1	FUEL PRE&TEM. SENSOR	OIL TEMPERATURE			
19	16673735	2	HEXAGON BOLT	M8X1,25X25 MM			
20	16597225	2	HEXAGON BOLT	M6X18 MM			

Frame: C16ENTHW200005324

VP/PIC: 00003646000000

Model: C16ENTHW20.00

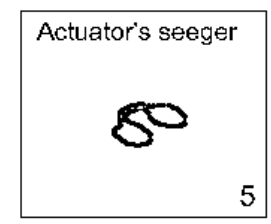
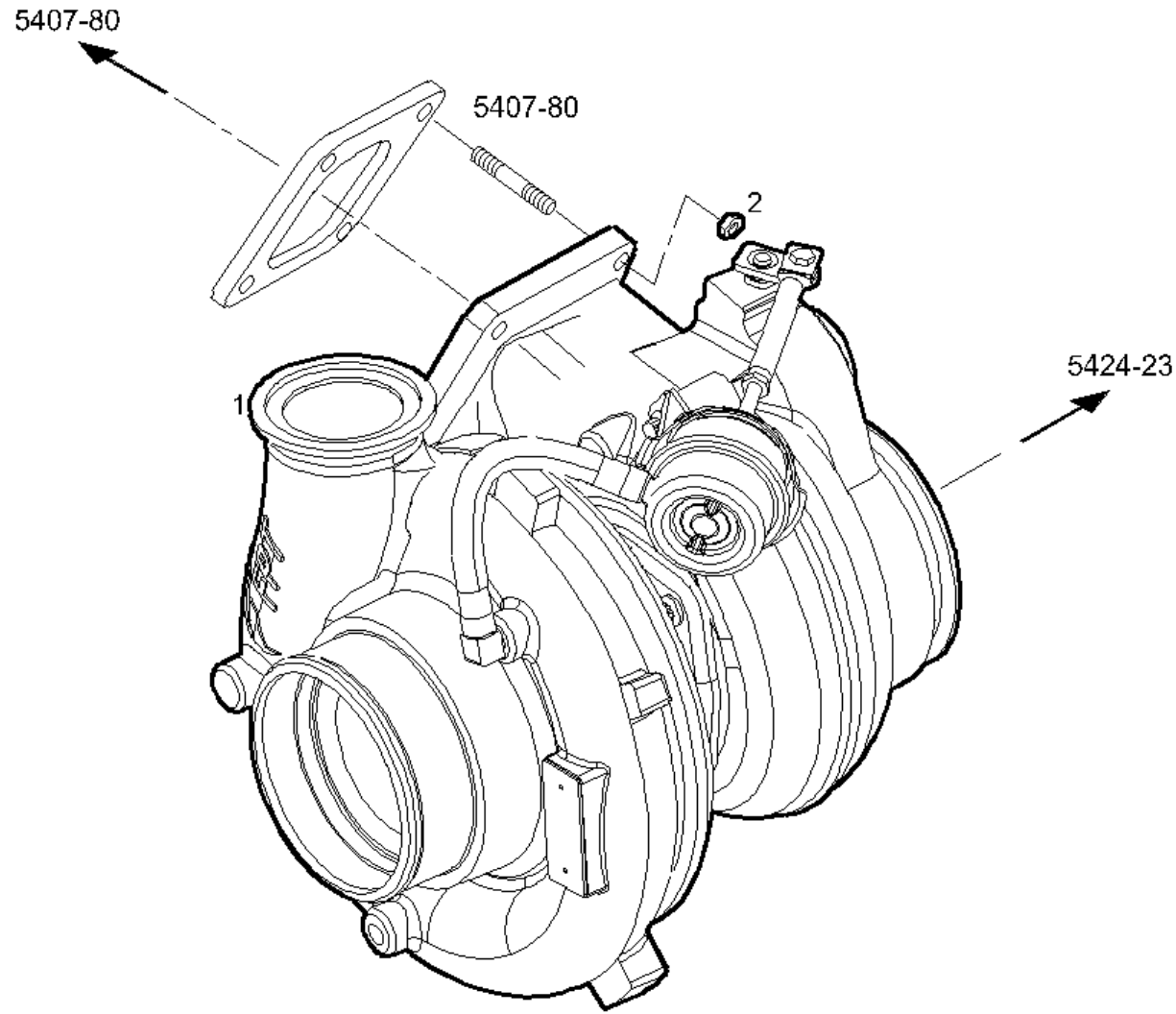
Class: 54

Group: 54 20

Subgroup: 54 20 30

Table: 153574

Pos.	Part Number	Qty.	Description	Standard Note	Modif.	Subst.	Time Sav.
21	5801642802	1	FASTENING BRACKET				



Frame: C16ENTHW200005324

VP/PIC: 00003646000000

Model: C16ENTHW20.00

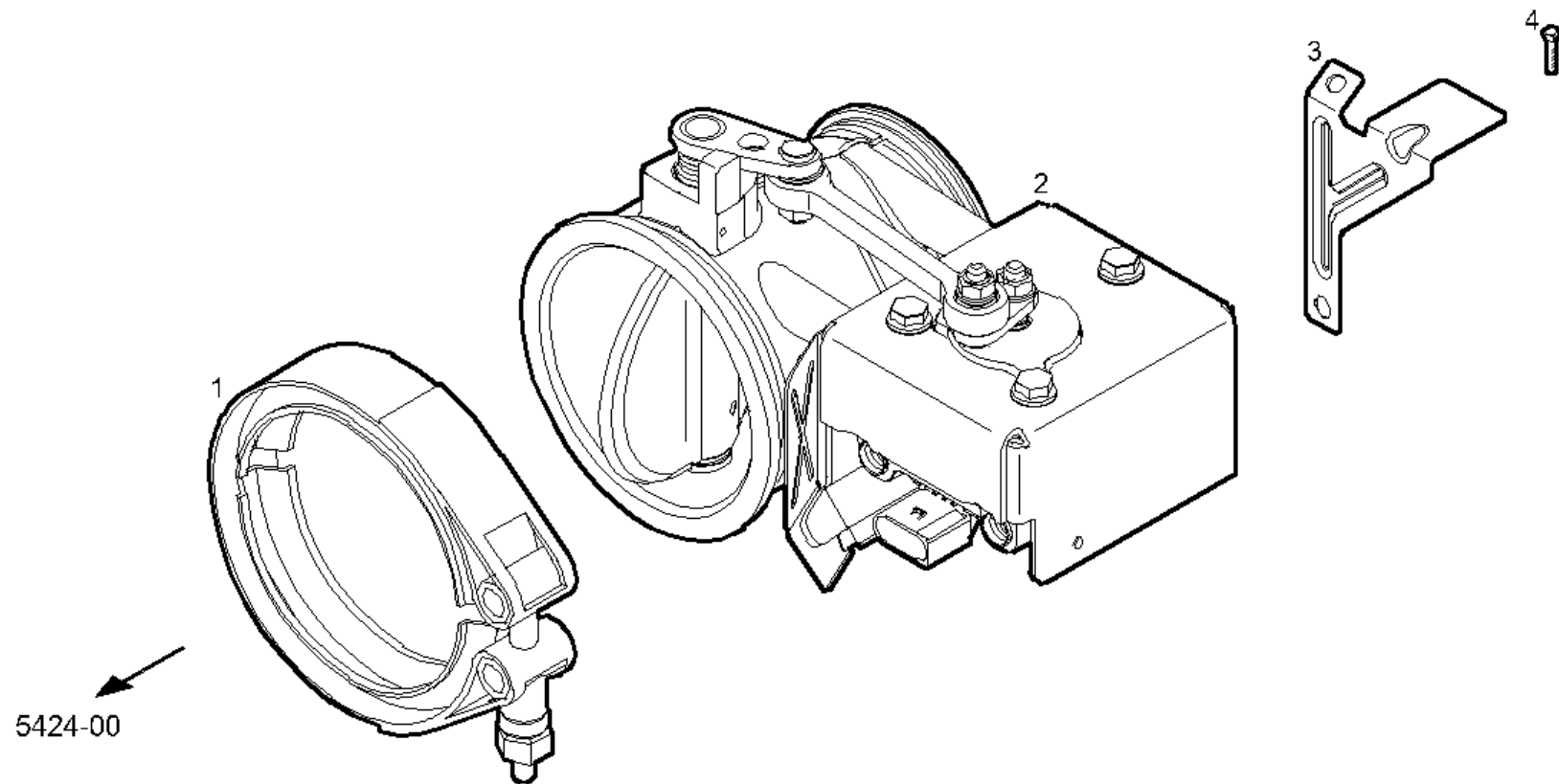
Class: 54

Group: 54 24

Subgroup: 54 24 00

Table: 160264

Pos.	Part Number	Qty.	Description	Standard Note	Modif.	Subst.	Time Sav.
1	5801826779	1	TURBOCHARGER			S	
2	5801834256	1	HEXAGON NUT	M12X1,75		S	
5	5802124628	1	CIRCLIP	ACTUATOR			



Frame: C16ENTHW200005324

VP/PIC: 00003646000000

Model: C16ENTHW20.00

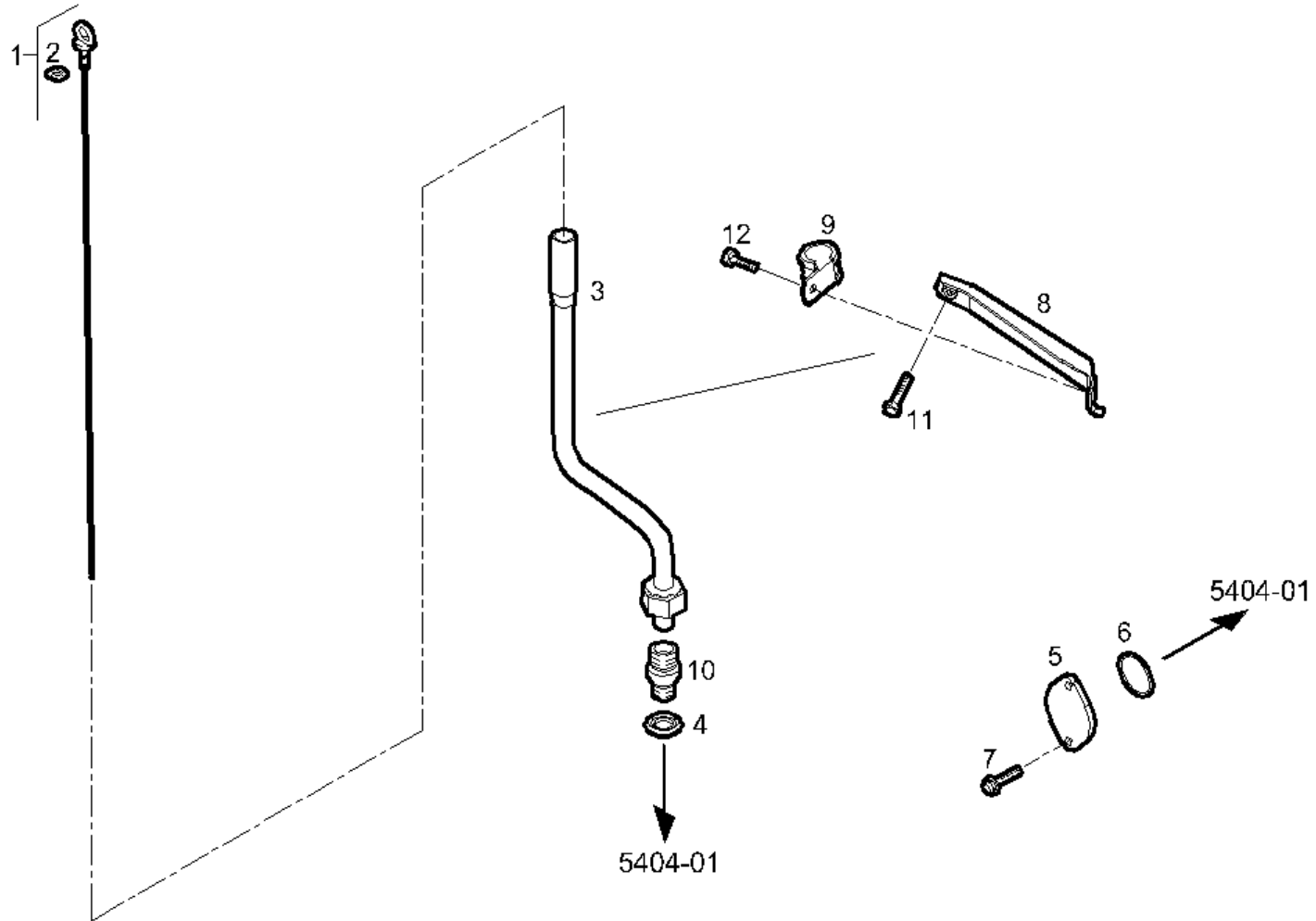
Class: 54

Group: 54 24

Subgroup: 54 24 23

Table: 160257

Pos.	Part Number	Qty.	Description	Standard Note	Modif.	Subst.	Time Sav.
1	5801544060	1	CLIP				
2	5801853601	1	EXHAUST BRANCH				
3	5801724356	1	PROTECTION				
4	18222124	2	HEXAGON BOLT				



Frame: C16ENTHW200005324

VP/PIC: 00003646000000

Model: C16ENTHW20.00

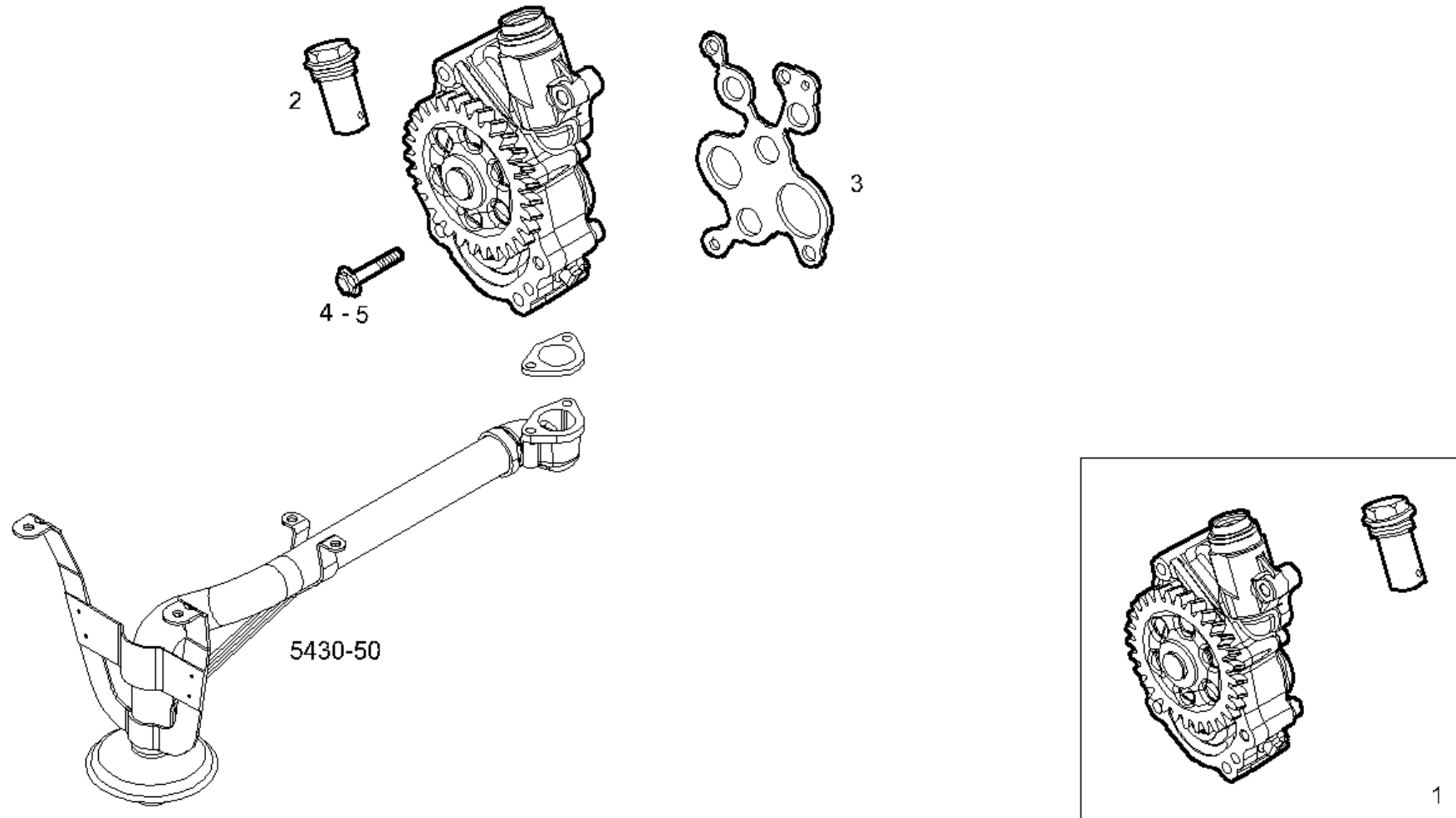
Class: 54

Group: 54 27

Subgroup: 54 27 00**Table: 159161**

Pos.	Part Number	Qty.	Description	Standard Note	Modif.	Subst.	Time Sav.
1	5801883775	1	OIL DIPSTICK	ASSY			
2	504027969	1	O-RING	DIAM=6 MM SP=2 MM			
3	5801883771	1	OIL LEVEL TUBE				
4	99489020	1	SEAL GASKET	DIAM=18 MM		S	
5	5801475380	1	FLANGE				
6	17283181	1	O-RING	DIAM=37,77 MM SP=2,62			
7	16600224	2	HEXAGON BOLT	M8X1,25X18 MM			
8	5801883786	1	FASTENING BRACKET				
9	17315093	1	FASTENING BRACKET	DIAM=14 MM			
10	504023175	1	THREADED UNION	M18X1,5 - M24X1			
11	16586225	1	HEXAGON BOLT	M8X1,25X16 MM			
12	16978124	1	HEXAGON BOLT	M6X14 MM			

Table: 153121



Frame: C16ENTHW200005324

VP/PIC: 00003646000000

Model: C16ENTHW20.00

Class: 54

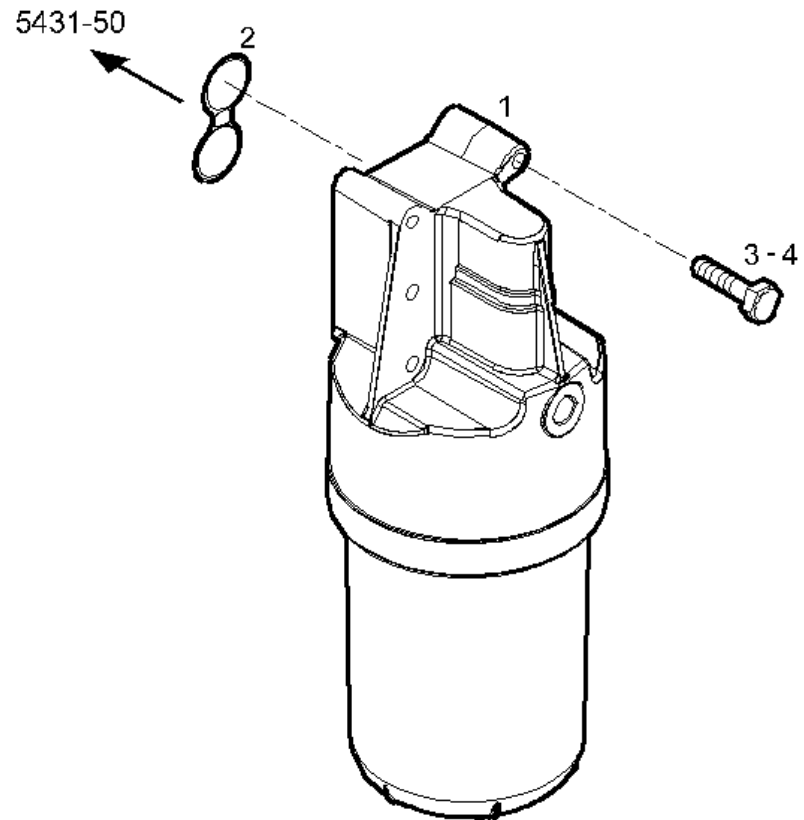
Group: 54 30

Subgroup: 54 30 01

Table: 153121

Pos.	Part Number	Qty.	Description	Standard Note	Modif.	Subst.	Time Sav.
1	5801702135	1	LUBE OIL PUMP	ASSY			
2	500359679	1	OIL PUMP VALVE				
3	99452273	1	FLAT GASKET ENGINE				
4	16592525	3	HEXAGON BOLT	M8X70 MM			
5	16586625	1	HEXAGON BOLT	M8X1,25X35 MM			

Table: 110498



Frame: C16ENTHW200005324

VP/PIC: 00003646000000

Model: C16ENTHW20.00

Class: 54

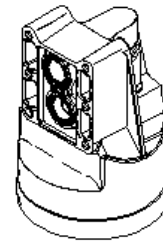
Group: 54 30

Subgroup: 54 30 20

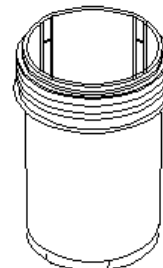
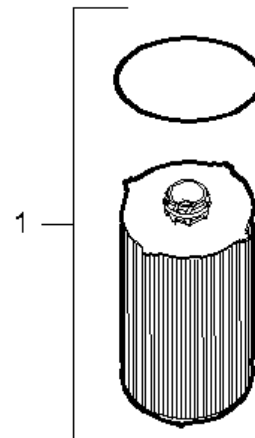
Table: 110498

Pos.	Part Number	Qty.	Description	Standard Note	Modif.	Subst.	Time Sav.
1	5801415490	1	OIL FILTER				
2	5801415498	1	SEAL GASKET				
3	16586725	1	HEXAGON BOLT	M8X1,25X40 MM			
4	16592425	5	SCREW	M8X65 MM			

Table: 111338



5430-20



5430-20

Frame: C16ENTHW200005324

VP/PIC: 00003646000000

Model: C16ENTHW20.00

Class: 54

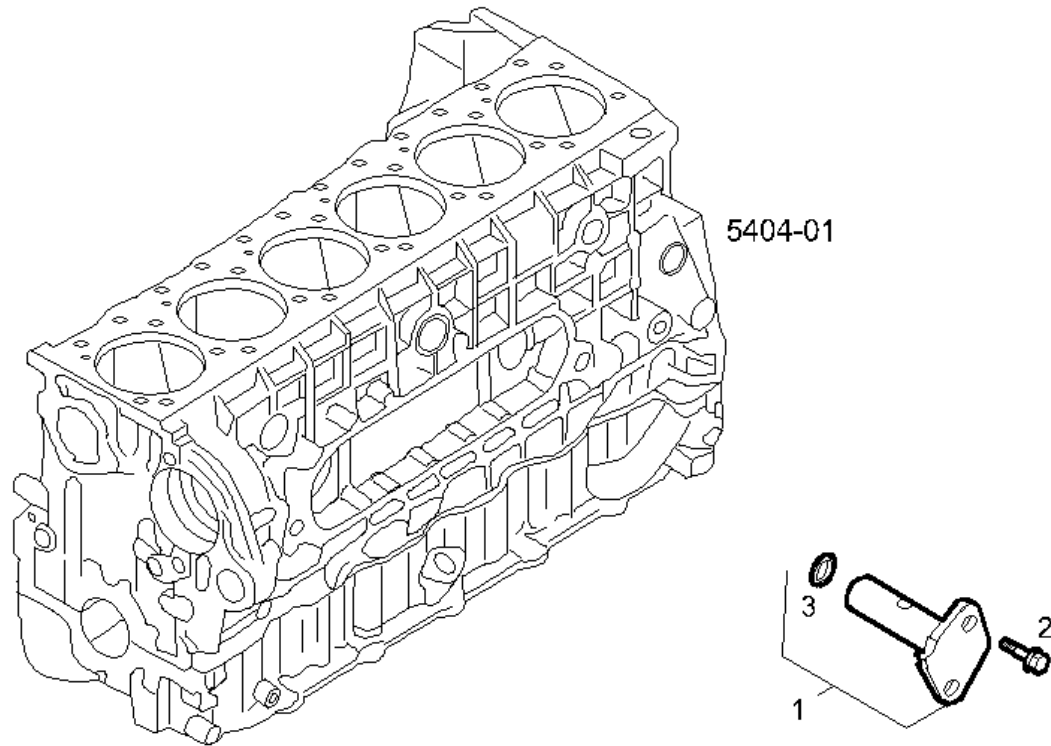
Group: 54 30

Subgroup: 54 30 20

Table: 111338

Pos.	Part Number	Qty.	Description	Standard Note	Modif.	Subst.	Time Sav.
1	5801415504	1	OIL FILTER ELEMENT				

Table: 1792



Frame: C16ENTHW200005324

VP/PIC: 00003646000000

Model: C16ENTHW20.00

Class: 54

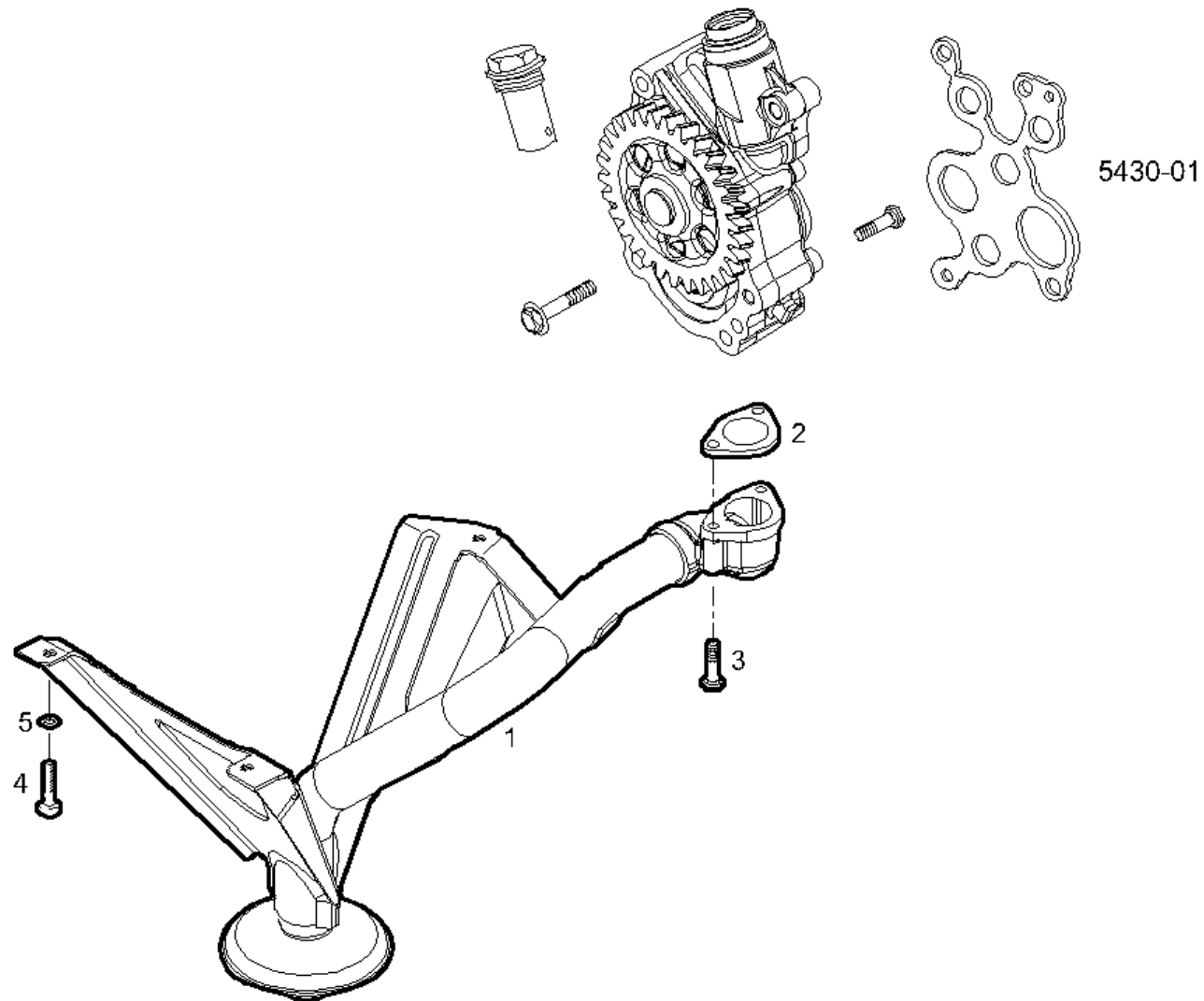
Group: 54 30

Subgroup: 54 30 30

Table: 1792

Pos.	Part Number	Qty.	Description	Standard Note	Modif.	Subst.	Time Sav.
1	5803012034	1	VALVE				
2	16586324	2	HEXAGON BOLT	M8X1,25X20 MM		S	
3	17288881	1	O-RING	DIAM=28,1 MM SP=3,5 MM			

Table: 153123



Frame: C16ENTHW200005324

VP/PIC: 00003646000000

Model: C16ENTHW20.00

Class: 54

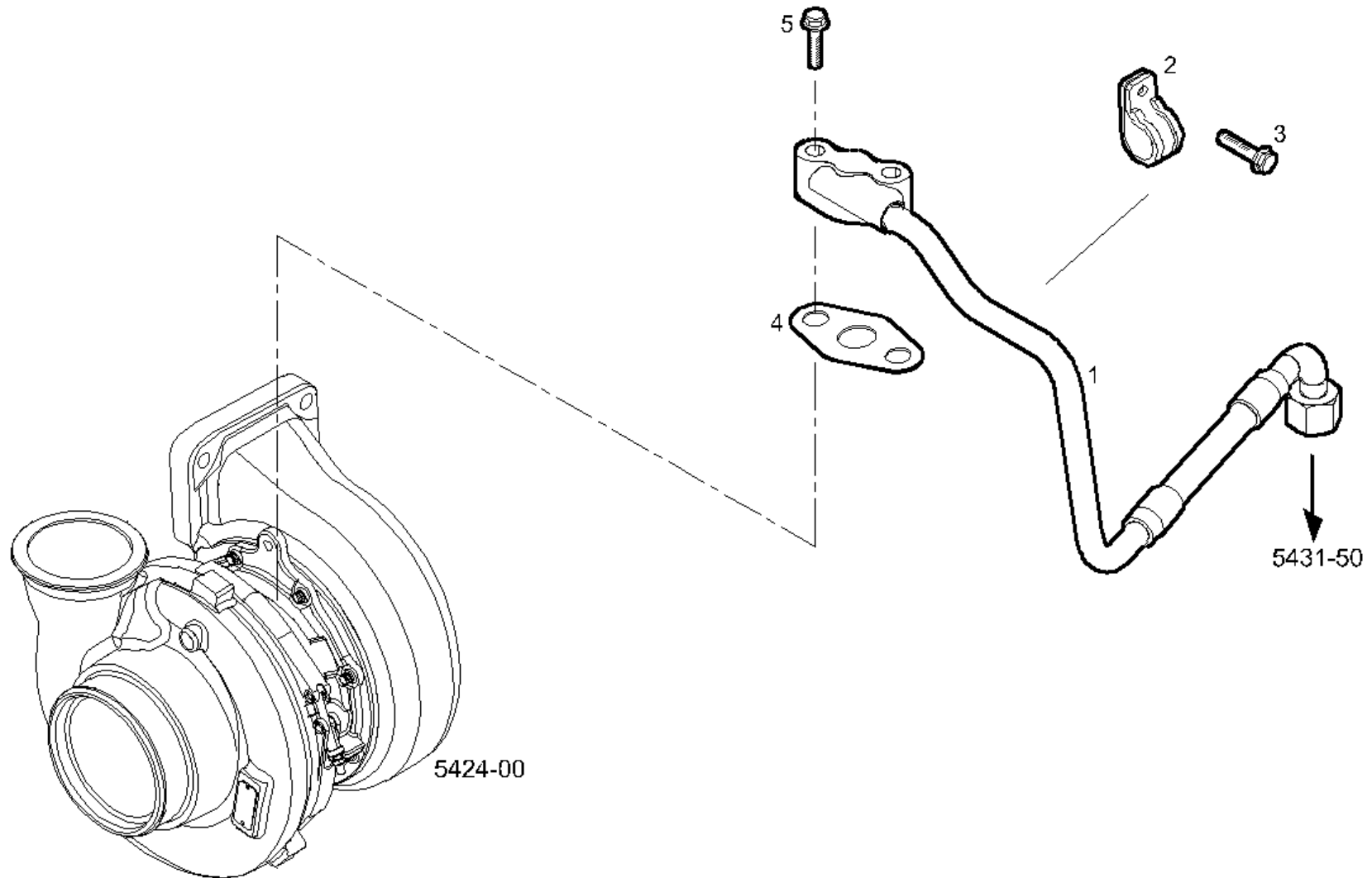
Group: 54 30

Subgroup: 54 30 50

Table: 153123

Pos.	Part Number	Qty.	Description	Standard Note	Modif.	Subst.	Time Sav.
1	5801752438	1	SUCTION STRAINER				
2	500343518	1	FLAT GASKET ENGINE				
3	16592225	2	HEXAGON BOLT	M8X55 MM			
4	16690424	3	CYLIND-HEAD SCREW	M8X1,25X16 MM			
5	17096824	3	WASHER	DIAM=8,40X15 MM			

Table: 160263



Frame: C16ENTHW200005324

VP/PIC: 00003646000000

Model: C16ENTHW20.00

Class: 54

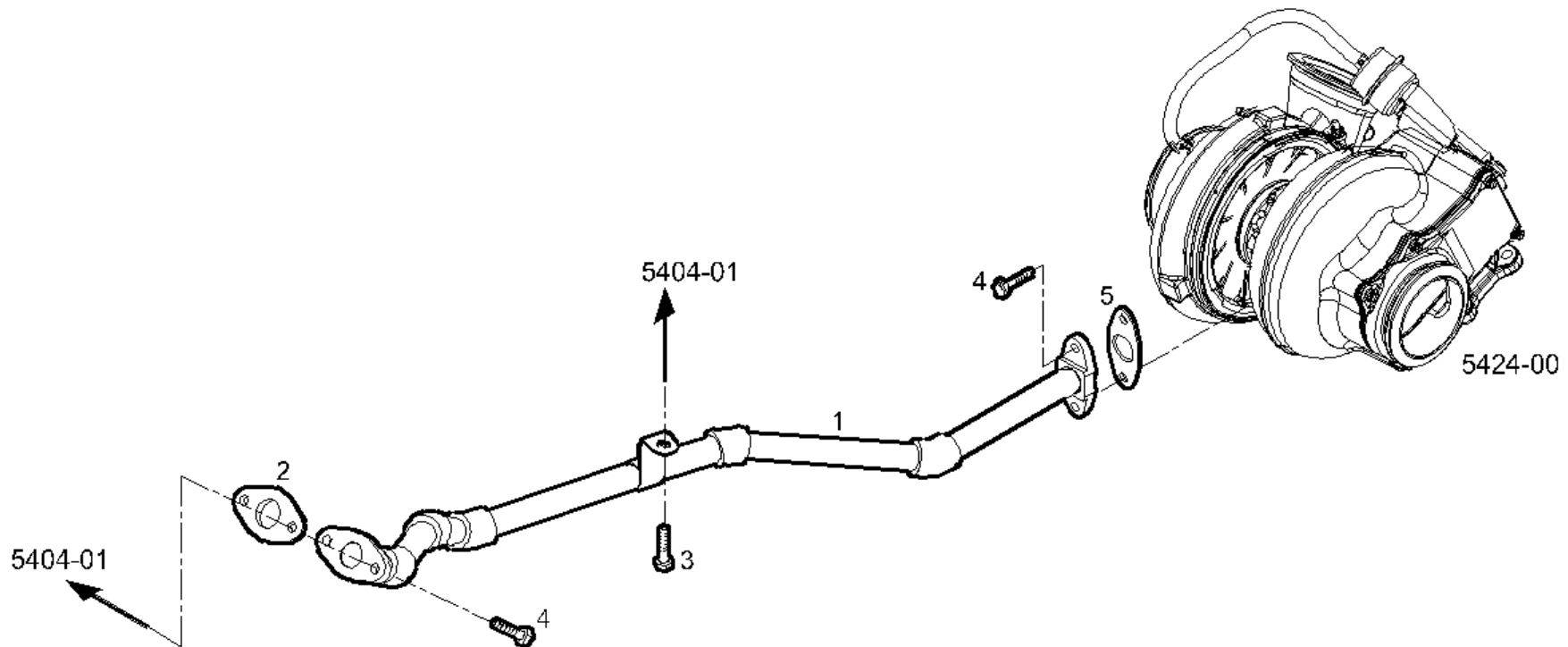
Group: 54 30

Subgroup: 54 30 64

Table: 160263

Pos.	Part Number	Qty.	Description	Standard Note	Modif.	Subst.	Time Sav.
1	5802921297	1	OIL LINE				
2	17316592	1	PIPE CLIP				
3	16597925	1	HEXAGON BOLT	M8X14 MM			
4	504352445	1	FLAT GASKET ENGINE				
5	16586625	2	HEXAGON BOLT	M8X1,25X35 MM			

Table: 160261



Frame: C16ENTHW200005324

VP/PIC: 00003646000000

Model: C16ENTHW20.00

Class: 54

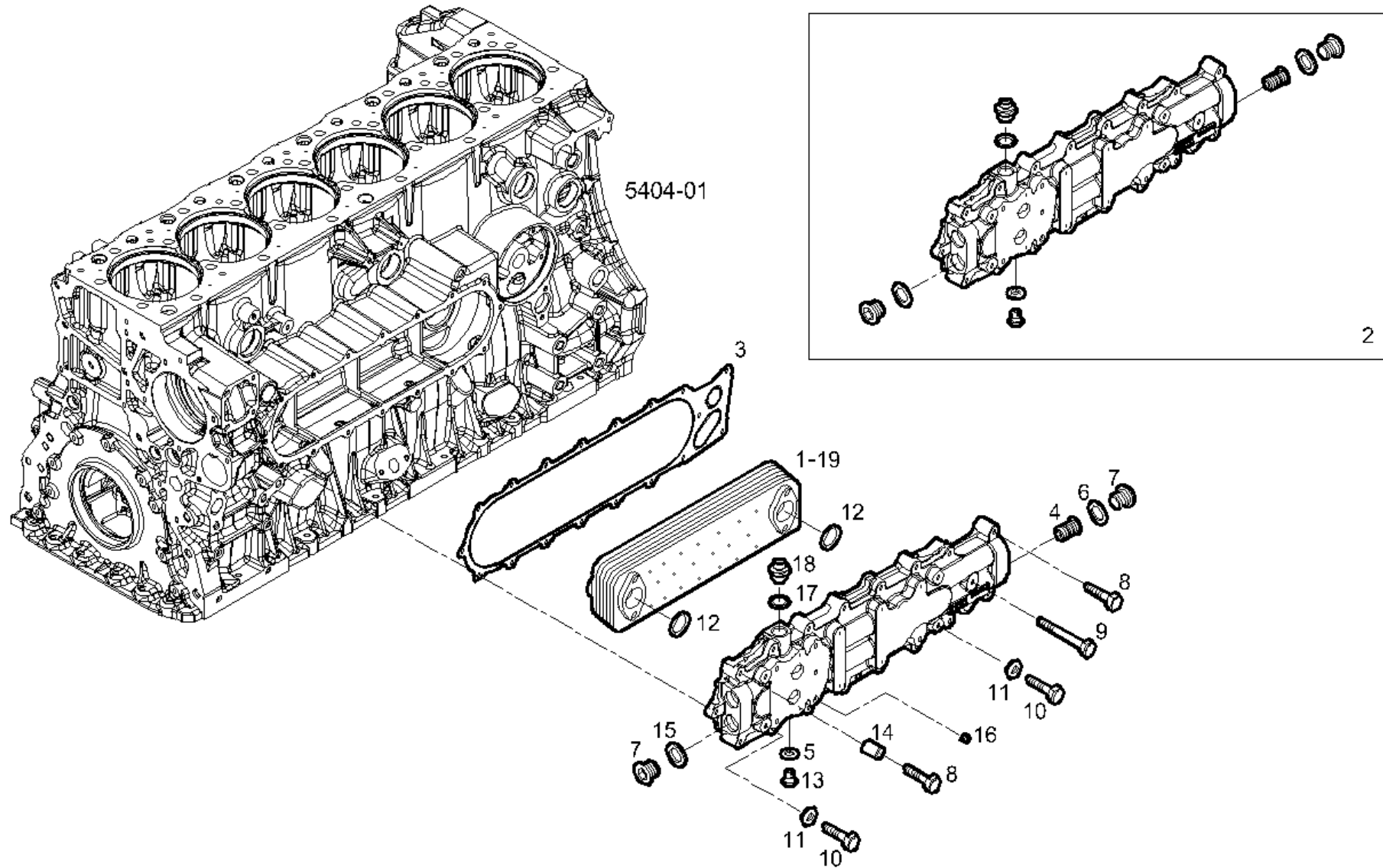
Group: 54 30

Subgroup: 54 30 65

Table: 160261

Pos.	Part Number	Qty.	Description	Standard Note	Modif.	Subst.	Time Sav.
1	5801692249	1	OIL LINE				
2	504352448	1	FLAT GASKET ENGINE				
3	16597925	1	HEXAGON BOLT	M8X14 MM			
4	16673635	4	HEXAGON BOLT	M8X1,25X20 MM			
5	5801567664	1	FLAT GASKET ENGINE				

Table: 153164



Frame: C16ENTHW200005324

VP/PIC: 00003646000000

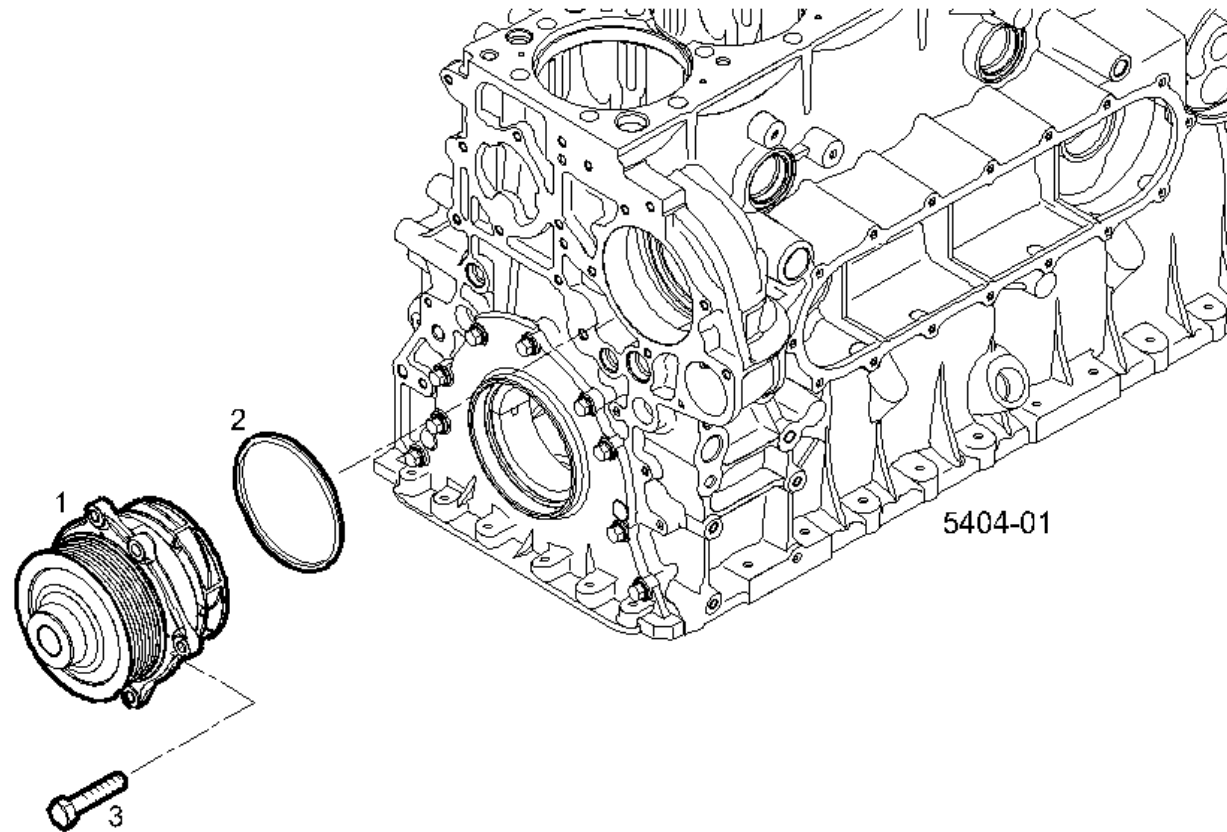
Model: C16ENTHW20.00

Class: 54

Group: 54 31

Subgroup: 54 31 50**Table: 153164**

Pos.	Part Number	Qty.	Description	Standard Note	Modif.	Subst.	Time Sav.
1	5801600721	1	OIL COOLER		M		
2	5801693132	1	HEAT EXANGER BODY	ASSY		S	
3	504388425	1	FLAT GASKET ENGINE				
4	5801458893	1	VALVE			S	
5	5801560870	1	SEAL GASKET	DIAM=16X24 MM SP=1,5			
6	5801560863	2	SEAL GASKET	DIAM=28X38 MM			
7	16993511	4	LOCK PLUG	M28X1,5			
8	16586725	16	HEXAGON BOLT	M8X1,25X40 MM			
9	16592225	1	HEXAGON BOLT	M8X55 MM			
10	16586825	4	HEXAGON BOLT	M8X1,25X45 MM			
11	98474303	4	SEAL RING	DIAM=8X14 MM SP=2,3 MM			
12	17289781	2	O-RING	DIAM=47,22 MM SP=3,55			
13	16992415	1	THREADED PLUG	M16X1,5MM			
14	5801535270	2	SPACING BAR				
15	16571960	2	SEAL GASKET	DIAM=28X33 MM			
16	99435557	1	DOWEL PIN	DIAM=8,5 MM			
17	99489022	1	SEAL GASKET	DIAM=22 MM			
18	41031570	1	THREADED UNION	M18X1,5 - M22X1,5			
19	5802956711	1	OIL/WATER HEAT EXCH.		M		



Frame: C16ENTHW200005324

VP/PIC: 00003646000000

Model: C16ENTHW20.00

Class: 54

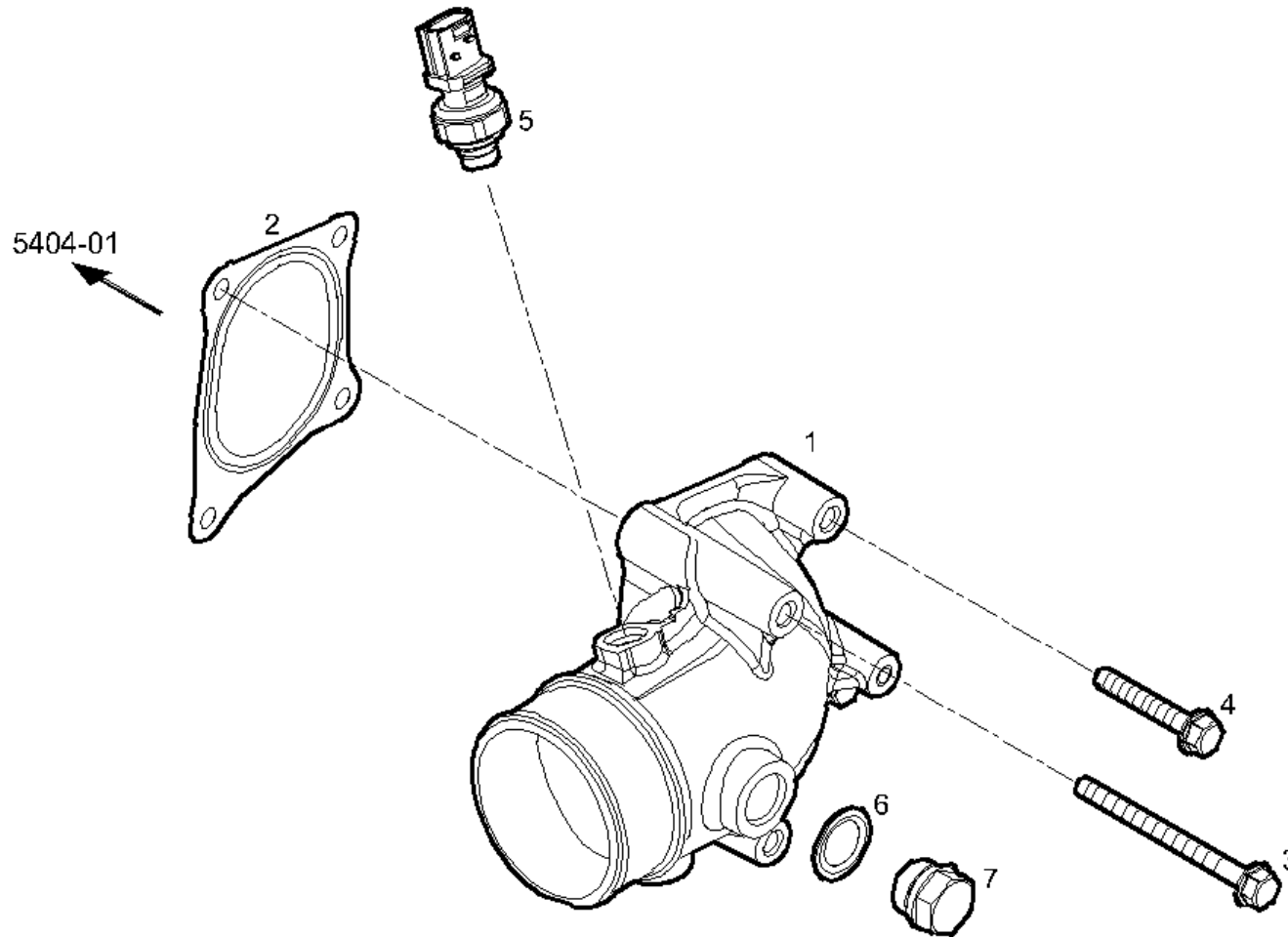
Group: 54 32

Subgroup: 54 32 01

Table: 153119

Pos.	Part Number	Qty.	Description	Standard Note	Modif.	Subst.	Time Sav.
1	5801813702	1	WATER PUMP			S	
2	17292681	1	O-RING	DIAM=139,3 MM SP=3,53 MM			
3	16673635	4	HEXAGON BOLT	M8X1,25X20 MM			

Table: 153154



Frame: C16ENTHW200005324

VP/PIC: 00003646000000

Model: C16ENTHW20.00

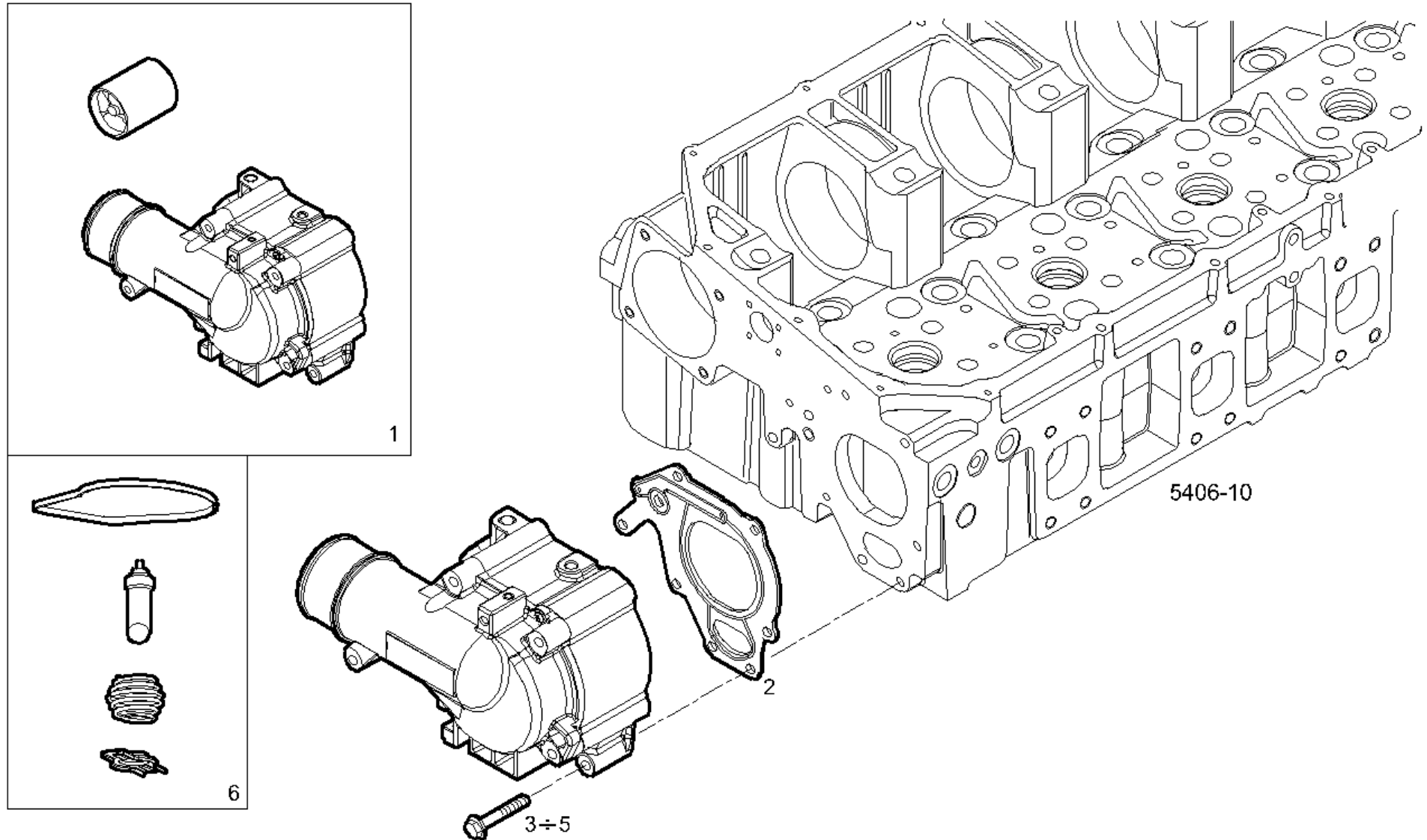
Class: 54

Group: 54 32

Subgroup: 54 32 30

Table: 153154

Pos.	Part Number	Qty.	Description	Standard Note	Modif.	Subst.	Time Sav.
1	5801677825	1	WATER PIPE				
2	5801693748	1	FLAT GASKET ENGINE				
3	16598225	2	HEXAGON BOLT	M8X90 MM			
4	16586925	2	HEXAGON BOLT	M8X50 MM		S	
5	5801382522	1	EXH.GAS PRES. SENSOR				
6	99489022	1	SEAL GASKET	DIAM=22 MM			
7	16992611	1	THREADED PLUG	M22X1,5			



Frame: C16ENTHW200005324

VP/PIC: 00003646000000

Model: C16ENTHW20.00

Class: 54

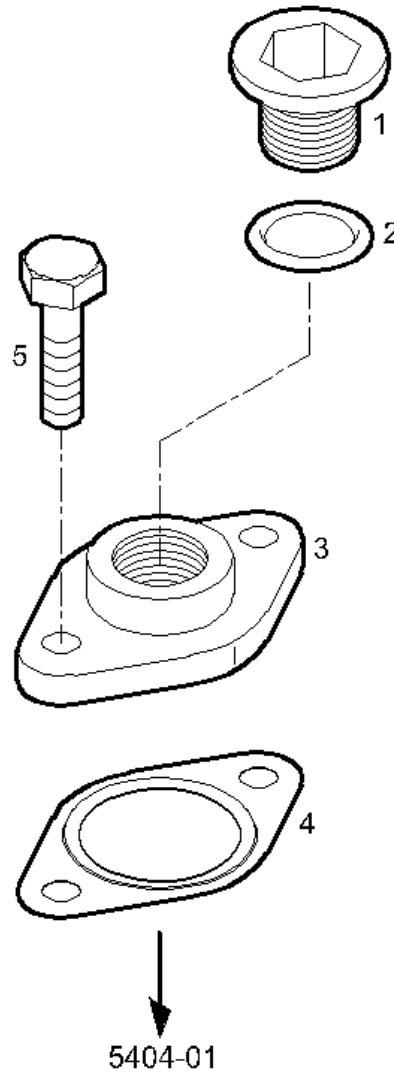
Group: 54 32

Subgroup: 54 32 39

Table: 109184

Pos.	Part Number	Qty.	Description	Standard Note	Modif.	Subst.	Time Sav.
1	5801611455	1	THERMOSTAT BODY			S	
2	5801489564	1	FLAT GASKET ENGINE				
3	16598325	4	HEXAGON BOLT	M8X100 MM			
4	16598625	1	HEXAGON BOLT	M8X1,25X140 MM			
5	16586925	2	HEXAGON BOLT	M8X50 MM		S	
6	5801812878	1	REPAIR KIT				

Table: 145773



Frame: C16ENTHW200005324

VP/PIC: 00003646000000

Model: C16ENTHW20.00

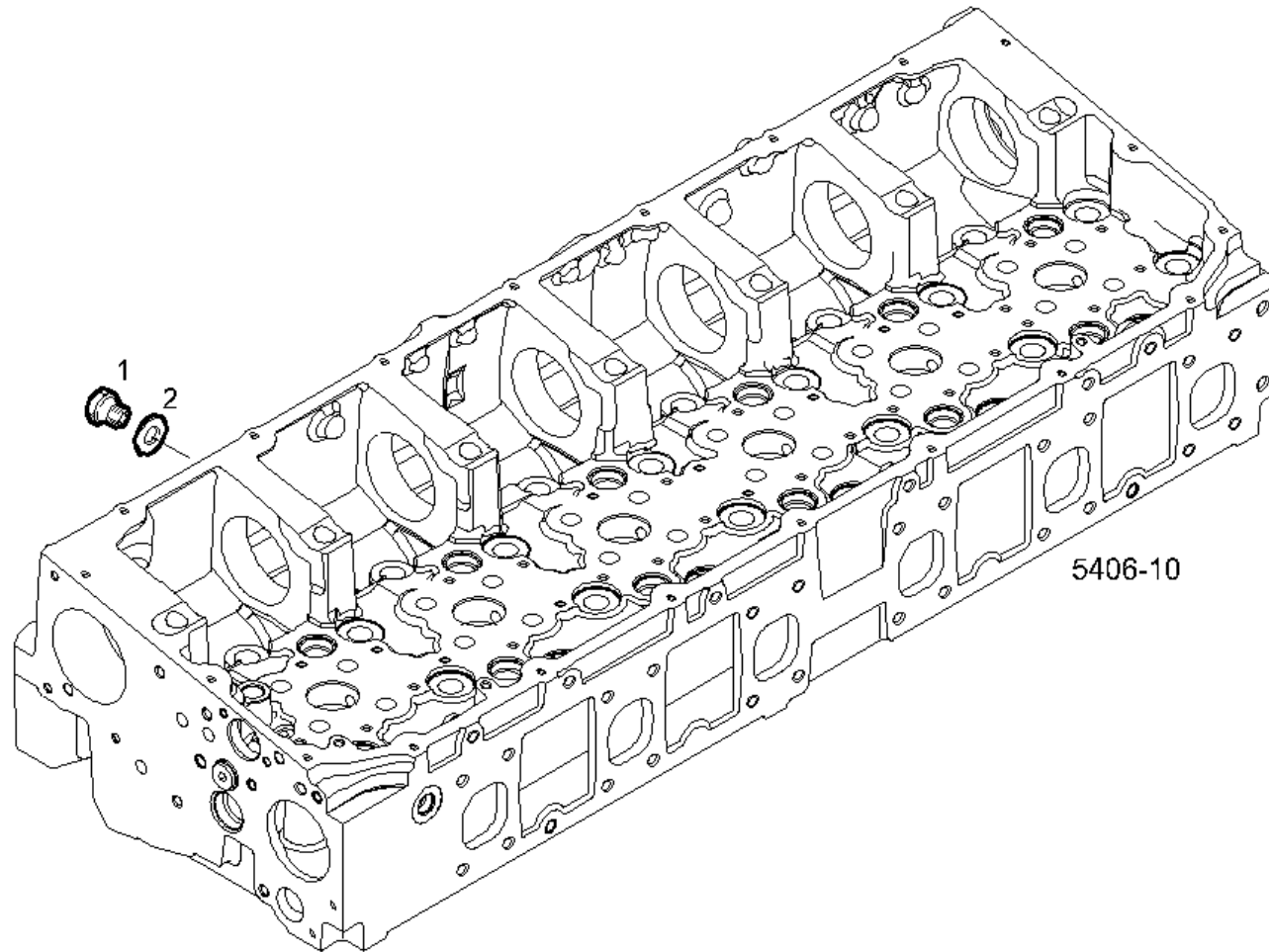
Class: 54

Group: 54 32

Subgroup: 54 32 40

Table: 145773

Pos.	Part Number	Qty.	Description	Standard Note	Modif.	Subst.	Time Sav.
1	16993411	1	THREADED PLUG	M22X1,5X13 MM (TAPER)			
2	99489022	1	SEAL GASKET	DIAM=22 MM			
3	5801712485	1	FLANGE				
4	5801623804	1	FLAT GASKET ENGINE				
5	16673635	2	HEXAGON BOLT	M8X1,25X20 MM			



Frame: C16ENTHW200005324

VP/PIC: 00003646000000

Model: C16ENTHW20.00

Class: 54

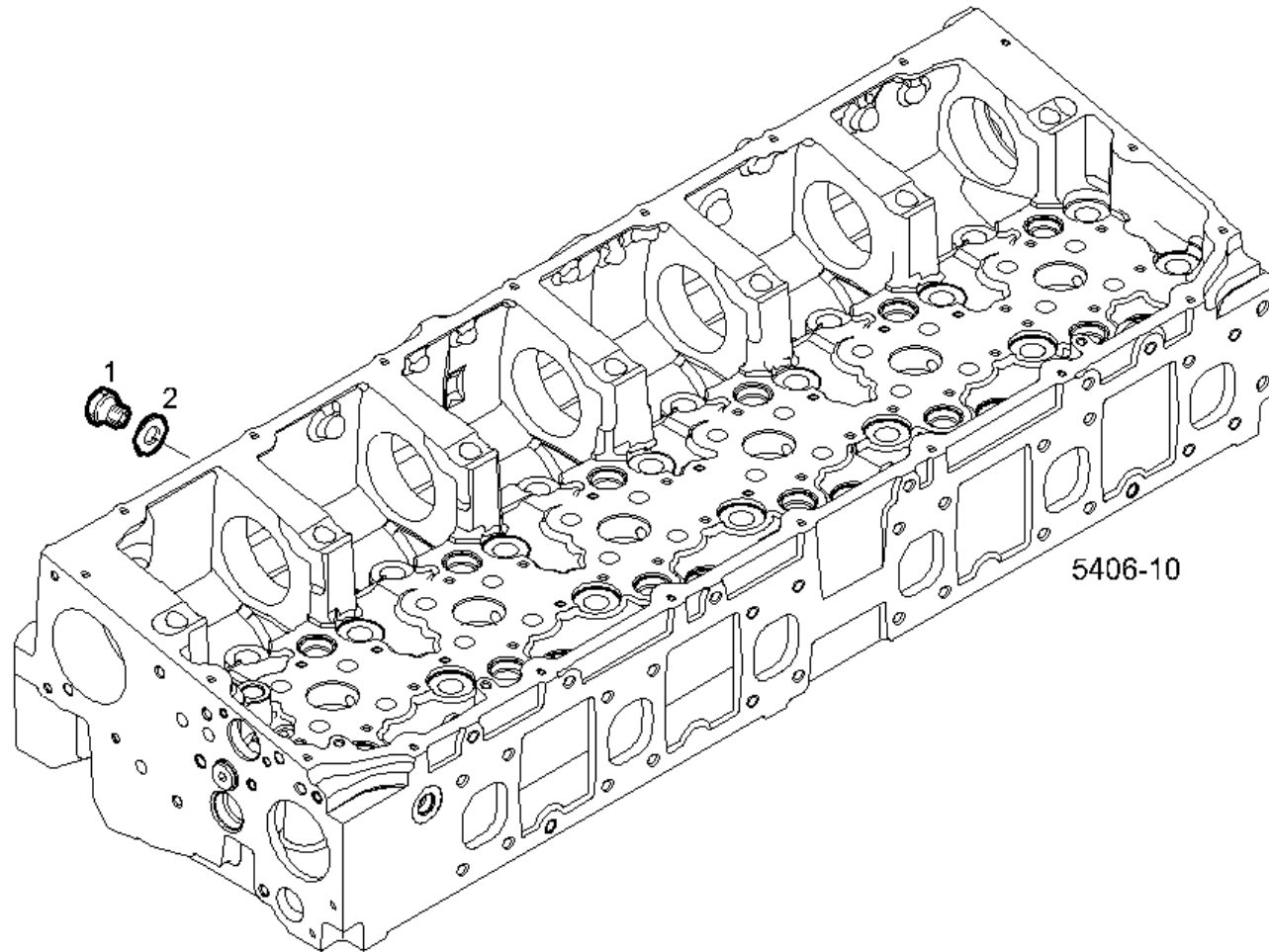
Group: 54 32

Subgroup: 54 32 49

Table: 120687

Pos.	Part Number	Qty.	Description	Standard Note	Modif.	Subst.	Time Sav.
1	16992515	1	THREADED PLUG	M18X1,5			
2	99489020	1	SEAL GASKET	DIAM=18 MM		S	

Table: 124281



Frame: C16ENTHW200005324

VP/PIC: 00003646000000

Model: C16ENTHW20.00

Class: 54

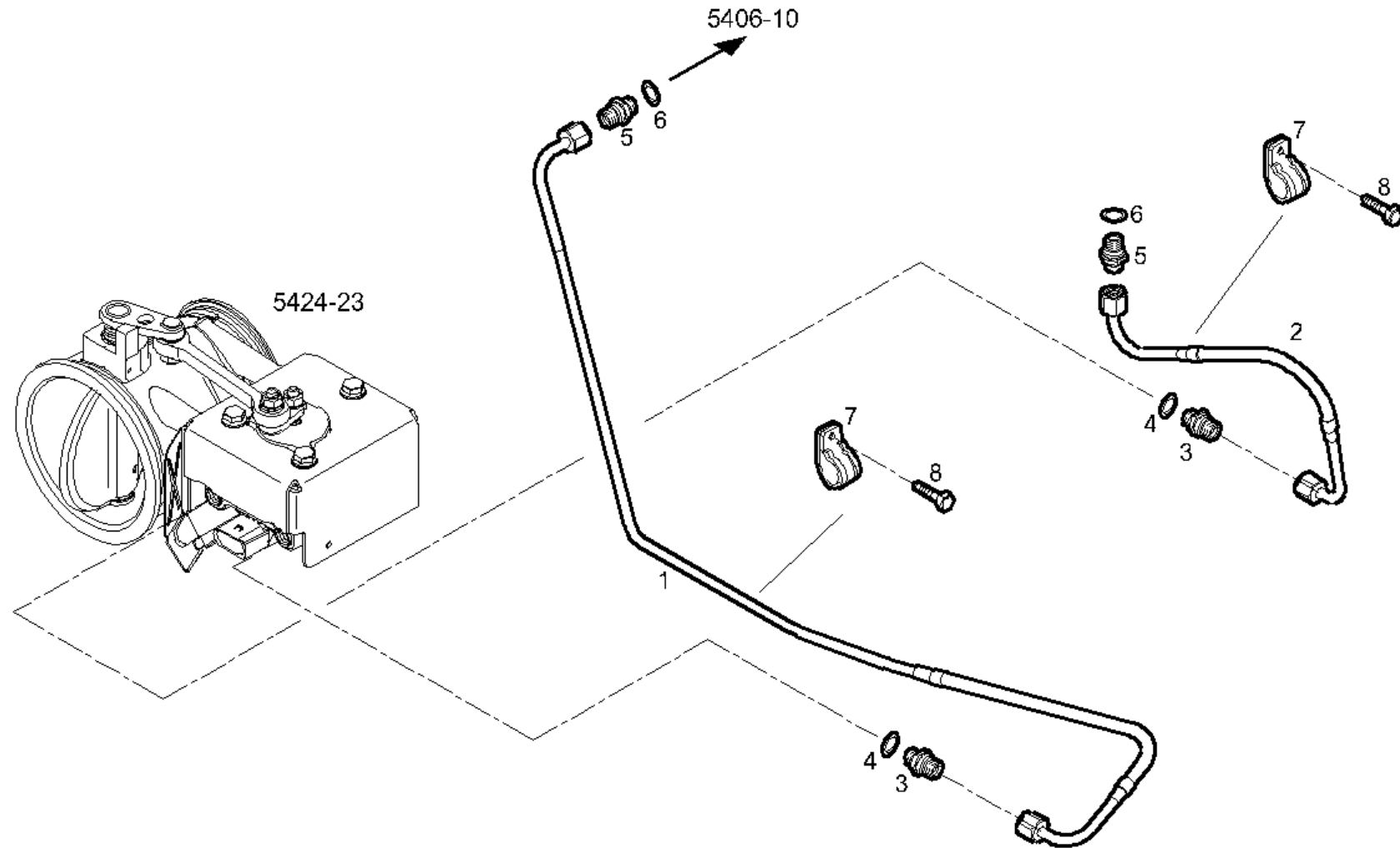
Group: 54 32

Subgroup: 54 32 50

Table: 124281

Pos.	Part Number	Qty.	Description	Standard Note	Modif.	Subst.	Time Sav.
1	16992515	1	THREADED PLUG	M18X1,5			
2	99489020	1	SEAL GASKET	DIAM=18 MM		S	

Table: 160256



Frame: C16ENTHW200005324

VP/PIC: 00003646000000

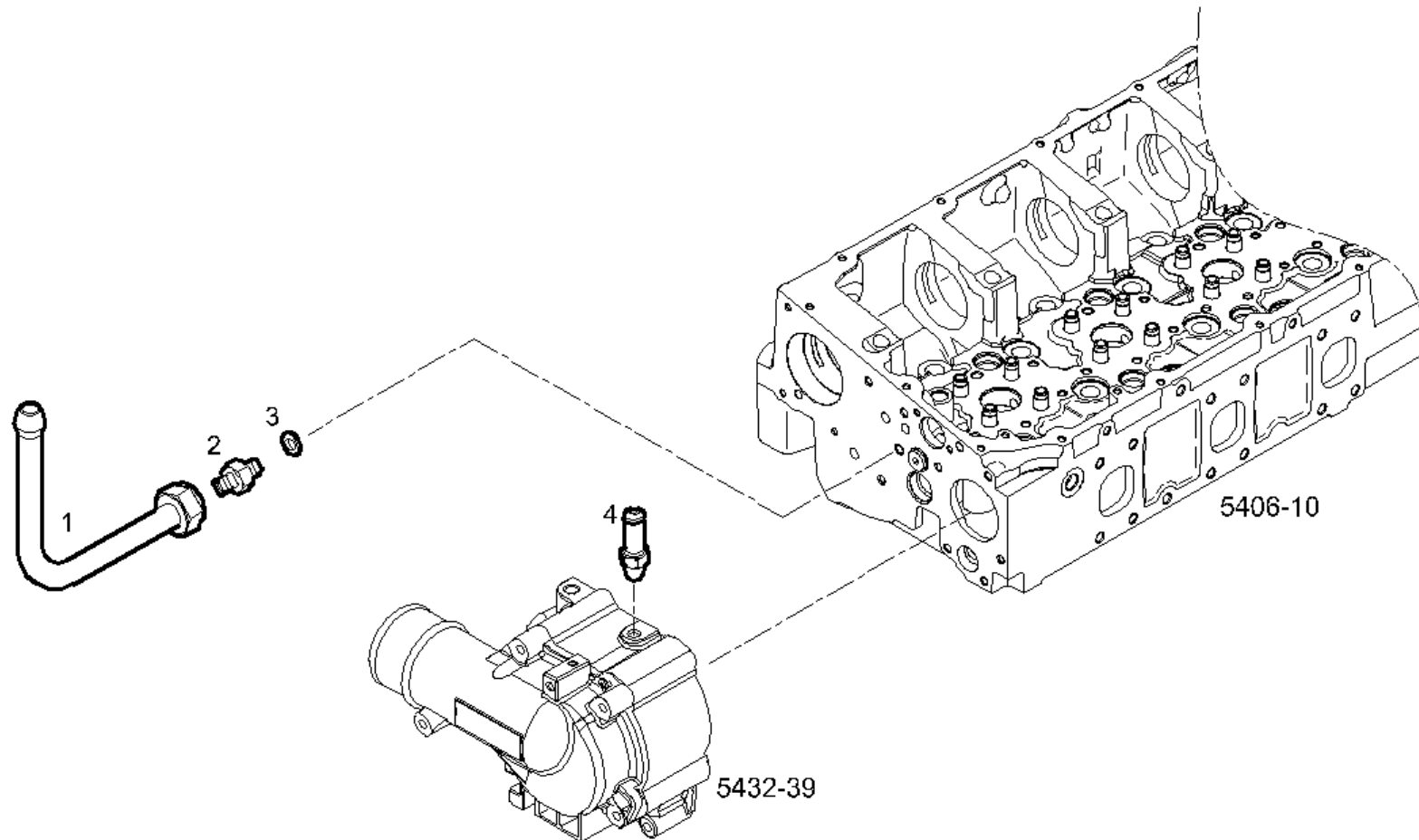
Model: C16ENTHW20.00

Class: 54

Group: 54 32

Subgroup: 54 32 52**Table: 160256**

Pos.	Part Number	Qty.	Description	Standard Note	Modif.	Subst.	Time Sav.
1	5801742626	1	WATER PIPE				
2	5801742619	1	WATER PIPE				
3	16500114	2	THREADED UNION	M12X1,5 - M14X1,5			
4	98474305	2	SEAL RING	DIAM=10X17 MM SP=2,3			
5	16500919	2	THREADED UNION				
6	99489020	2	SEAL GASKET	DIAM=18 MM		S	
7	17316392	2	CLIP				
8	16597925	2	HEXAGON BOLT	M8X14 MM			



Frame: C16ENTHW200005324

VP/PIC: 00003646000000

Model: C16ENTHW20.00

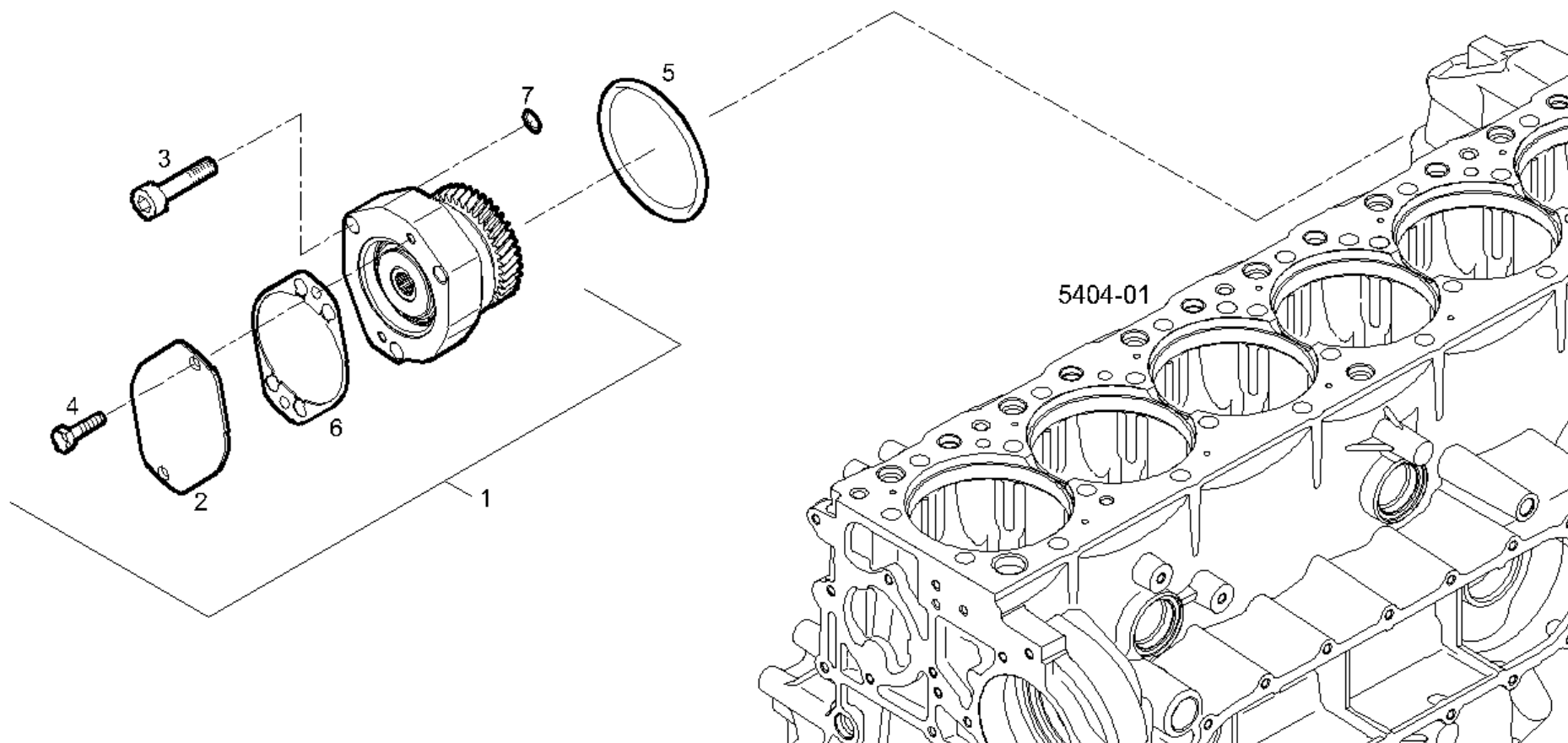
Class: 54

Group: 54 32

Subgroup: 54 32 52

Table: 187876

Pos.	Part Number	Qty.	Description	Standard Note	Modif.	Subst.	Time Sav.
1	5801941574	1	BREATHER PIPE				
2	504196249	1	THREADED UNION				
3	99489016	1	WASHER	DIAM=17 MM			
4	5801715519	1	BREATHER CONN.				



Frame: C16ENTHW200005324

VP/PIC: 00003646000000

Model: C16ENTHW20.00

Class: 54

Group: 54 35

Subgroup: 54 35 00

Table: 210722

Pos.	Part Number	Qty.	Description	Standard Note	Modif.	Subst.	Time Sav.
1	5802334943	1	POWER TAKE OFF				
2	504049033	1	COVER				
3	41033356	3	SOCKET-HEAD SCREW	M12X1,75X40 MM			
4	16675835	2	HEXAGON BOLT	M10X30 MM			
5	17292281	1	O-RING	DIAM=126,59 MM SP=3,53			
6	4896897	1	FLAT GASKET ENGINE				
7	17281381	1	O-RING	DIAM=9,19 MM			

Frame: C16ENTHW200005324

VP/PIC: 00003646000000

Model: C16ENTHW20.00

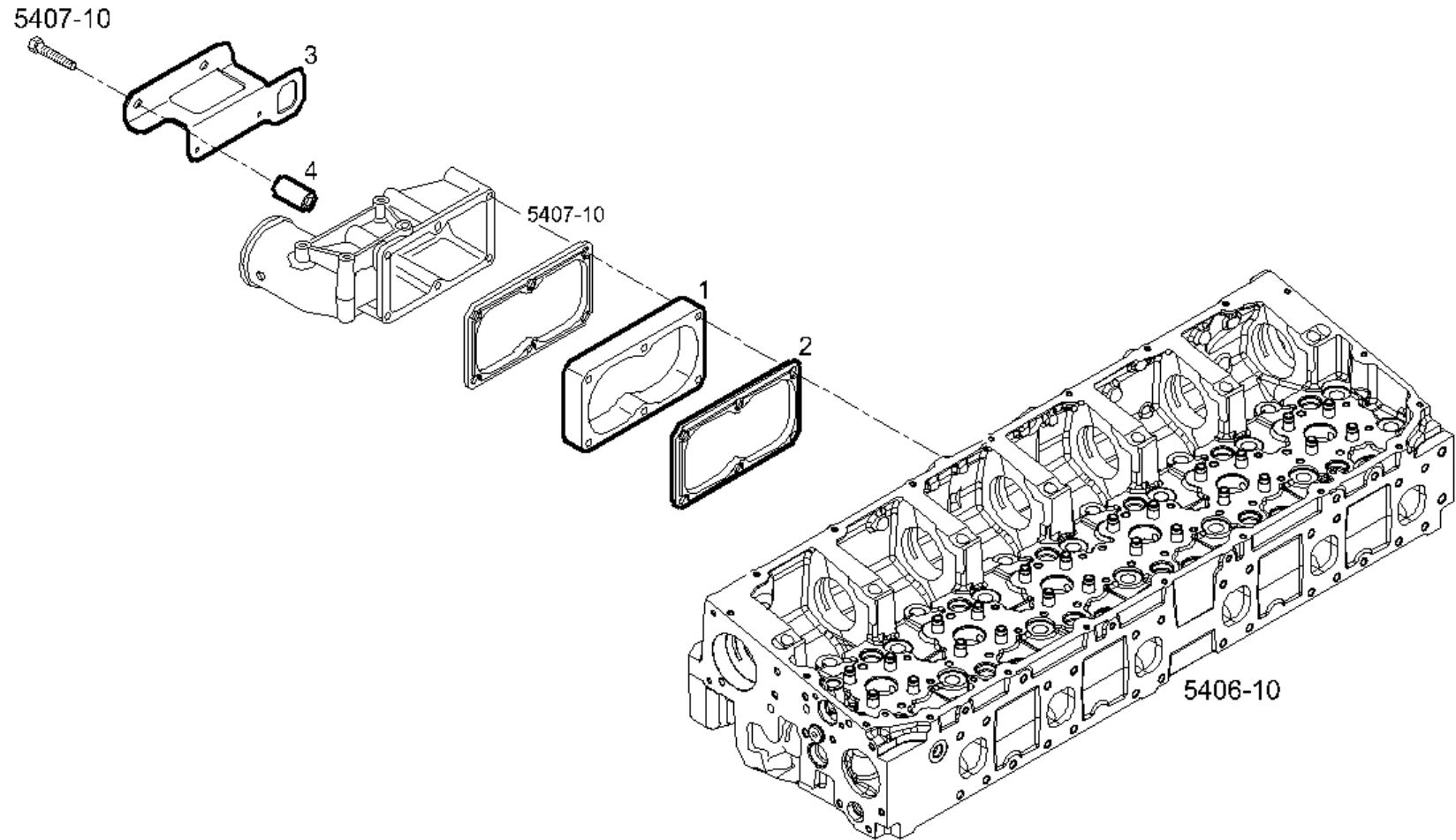
Class: 54

Group: 54 36

Subgroup: 54 36 00

Table: 142526

Pos.	Part Number	Qty.	Description	Standard Note	Modif.	Subst.	Time Sav.
1	504052268	1	FLAT GASKET ENGINE				
2	16760524	3	STUD	M12X30 MM			
3	504052925	1	STARTER MOTOR			S	
4	98344708	1	KIT-STARTER				
5	98344709	1	KIT-STARTER				
6	98344707	1	KIT-STARTER			S	
7	17044925	3	HEXAGON NUT	M12			



Frame: C16ENTHW200005324

VP/PIC: 00003646000000

Model: C16ENTHW20.00

Class: 54

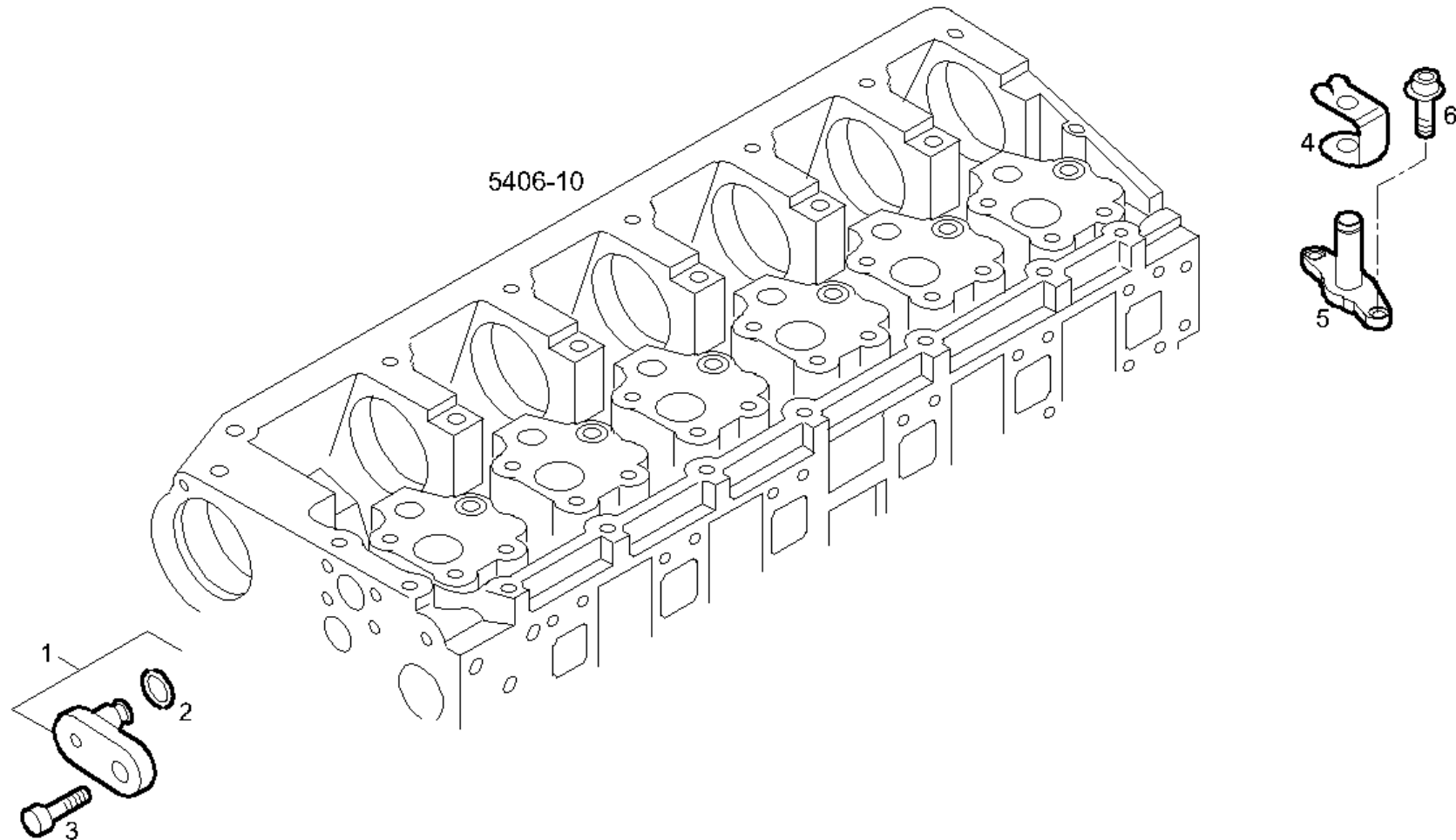
Group: 54 36

Subgroup: 54 36 50

Table: 153356

Pos.	Part Number	Qty.	Description	Standard Note	Modif.	Subst.	Time Sav.
1	5801706292	1	SPACING BAR			S	
2	504375264	1	FLAT GASKET ENGINE				
3	5801712398	1	RETAINER				
4	500301693	1	SPACING BAR				

Table: 111564



Frame: C16ENTHW200005324

VP/PIC: 00003646000000

Model: C16ENTHW20.00

Class: 54

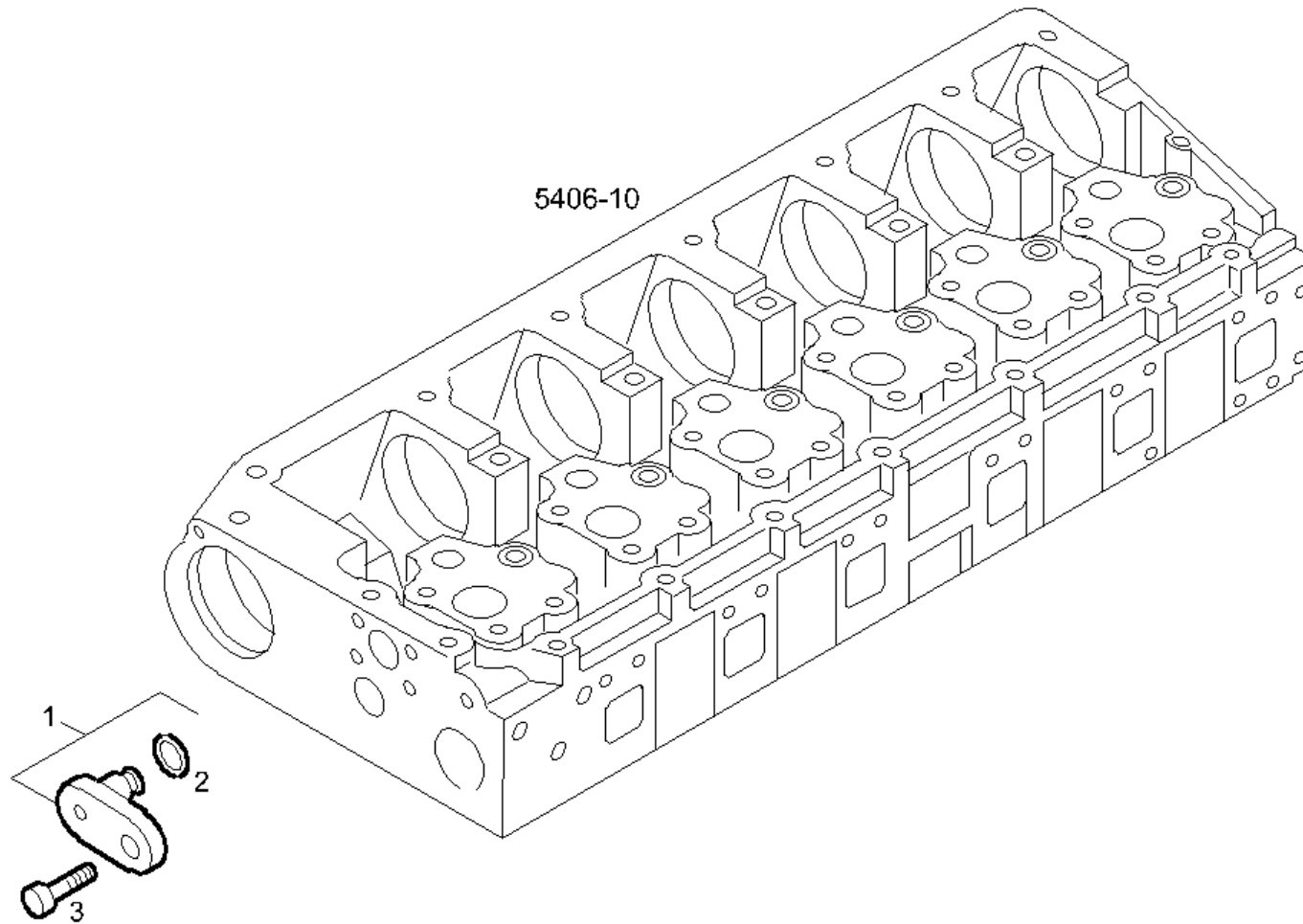
Group: 54 37

Subgroup: 54 37 00

Table: 111564

Pos.	Part Number	Qty.	Description	Standard Note	Modif.	Subst.	Time Sav.
1	504389372	1	LOCK PLUG				
2	17277981	1	O-RING	DIAM=9,2 MM SP=1,7 MM			
3	16586225	1	HEXAGON BOLT	M8X1,25X16 MM			
4	500376911	6	RETAINING SPRING				
5	504001460	6	SPACING BAR				
6	16707134	6	SOCKET-HEAD SCREW	M8X1,25X20 MM			

Table: 221373



Frame: C16ENTHW200005324

VP/PIC: 00003646000000

Model: C16ENTHW20.00

Class: 54

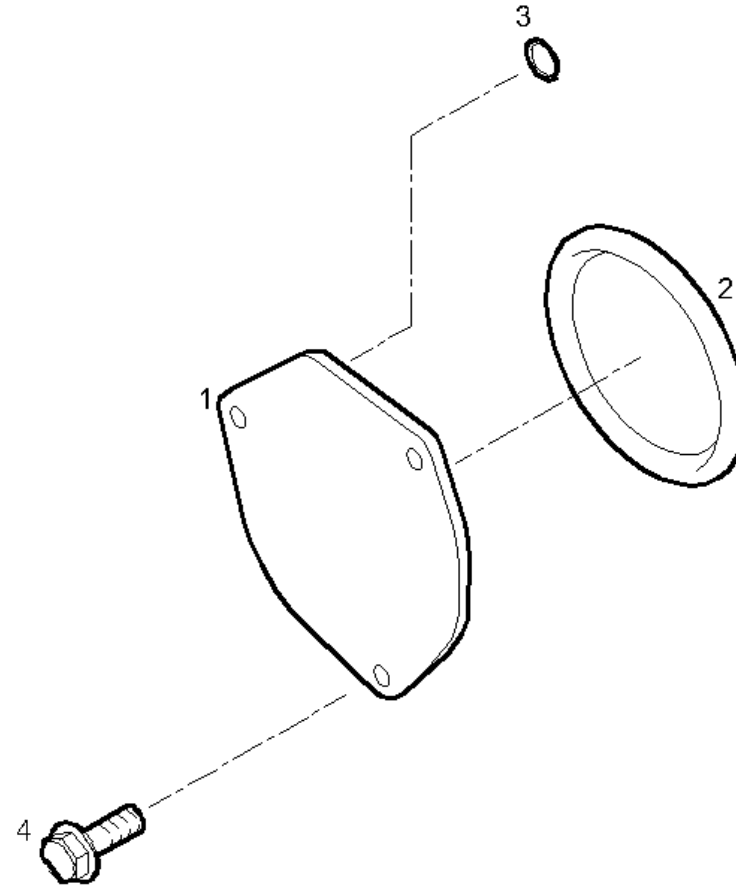
Group: 54 37

Subgroup: 54 37 00

Table: 221373

Pos.	Part Number	Qty.	Description	Standard Note	Modif.	Subst.	Time Sav.
1	504389372	1	LOCK PLUG				
2	17277981	1	O-RING	DIAM=9,2 MM SP=1,7 MM			
3	16586225	1	HEXAGON BOLT	M8X1,25X16 MM			

Table: 153159



Frame: C16ENTHW200005324

VP/PIC: 00003646000000

Model: C16ENTHW20.00

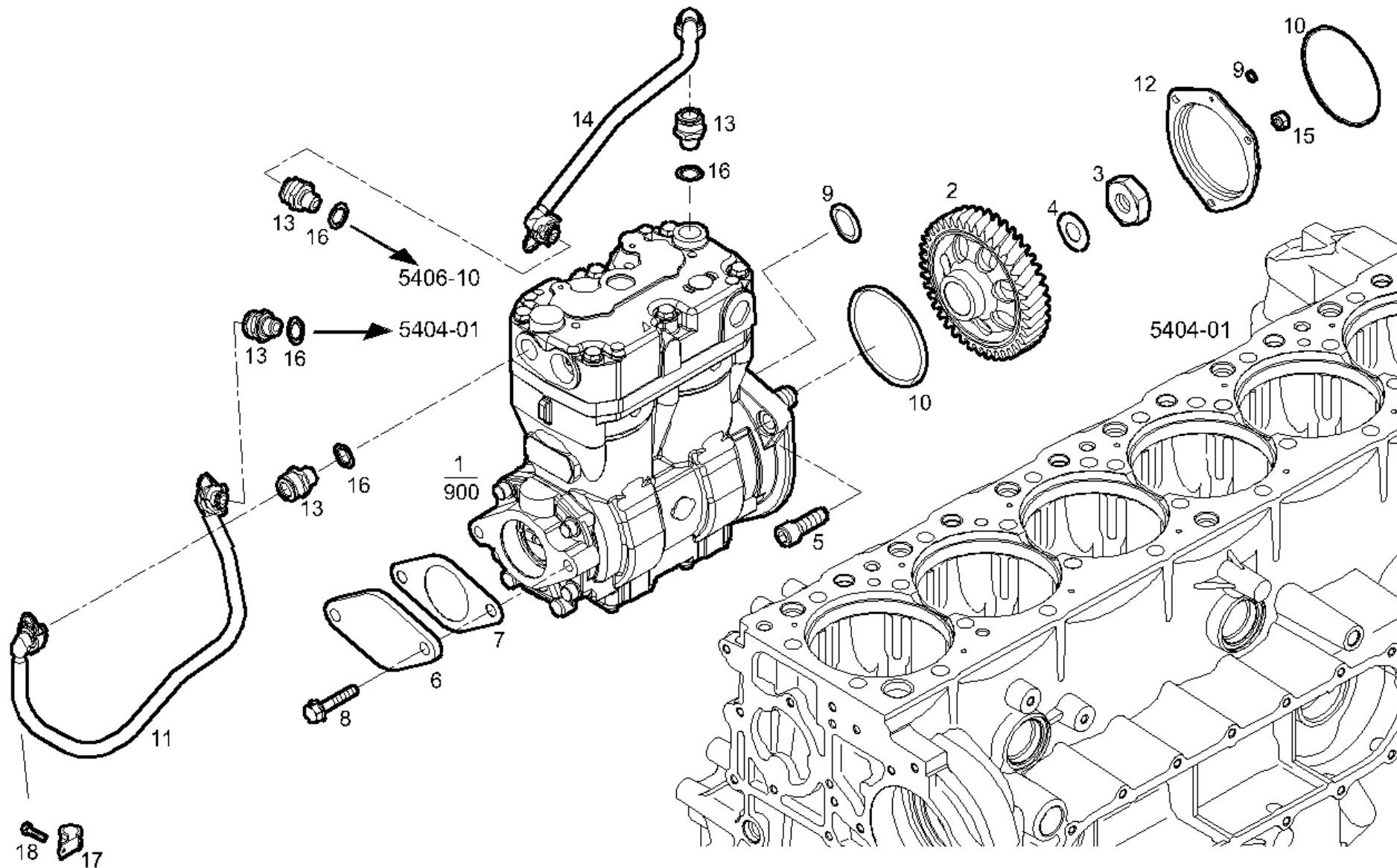
Class: 54

Group: 54 38

Subgroup: 54 38 01

Table: 153159

Pos.	Part Number	Qty.	Description	Standard Note	Modif.	Subst.	Time Sav.
1	5801744042	1	COVER				
2	17292281	1	O-RING	DIAM=126,59 MM SP=3,53			
3	17281381	1	O-RING	DIAM=9,19 MM			
4	16693724	3	CYLIND-HEAD SCREW	M12			



Frame: C16ENTHW200005324

VP/PIC: 00003646000000

Model: C16ENTHW20.00

Class: 54

Group: 54 38

Subgroup: 54 38 01**Table: 210745**

Pos.	Part Number	Qty.	Description	Standard Note	Modif.	Subst.	Time Sav.
1	504308843	1	AIR COMPRESSOR			S	R
2	5801608611	1	GEAR				
3	504016500	1	NUT	LEFT THREAD			
4	17095914	1	WASHER	DIAM=19X34 MM			
5	16693924	3	CYLIND-HEAD SCREW	M12X35 MM			
6	504016777	1	PTO COVER				
7	504016778	1	FLAT GASKET ENGINE				
8	18139424	2	HEXAGON BOLT	M10X20 MM		S	
9	17281381	2	O-RING	DIAM=9,19 MM			
10	17292281	2	O-RING	DIAM=126,59 MM SP=3,53			
11	5801869609	1	WATER PIPE				
12	5801743973	1	SPACING BAR				
13	5801807830	4	THREADED UNION				
14	5801912552	1	WATER PIPE	ASSY			
15	17038421	3	HEXAGON NUT	M12 (8)		S	
16	5801398260	4	SEAL GASKET	DIAM=18 MM		S	
17	17316592	1	PIPE CLIP				
18	16586225	1	HEXAGON BOLT	M8X1,25X16 MM			

Frame: C16ENTHW200005324

VP/PIC: 00003646000000

Model: C16ENTHW20.00

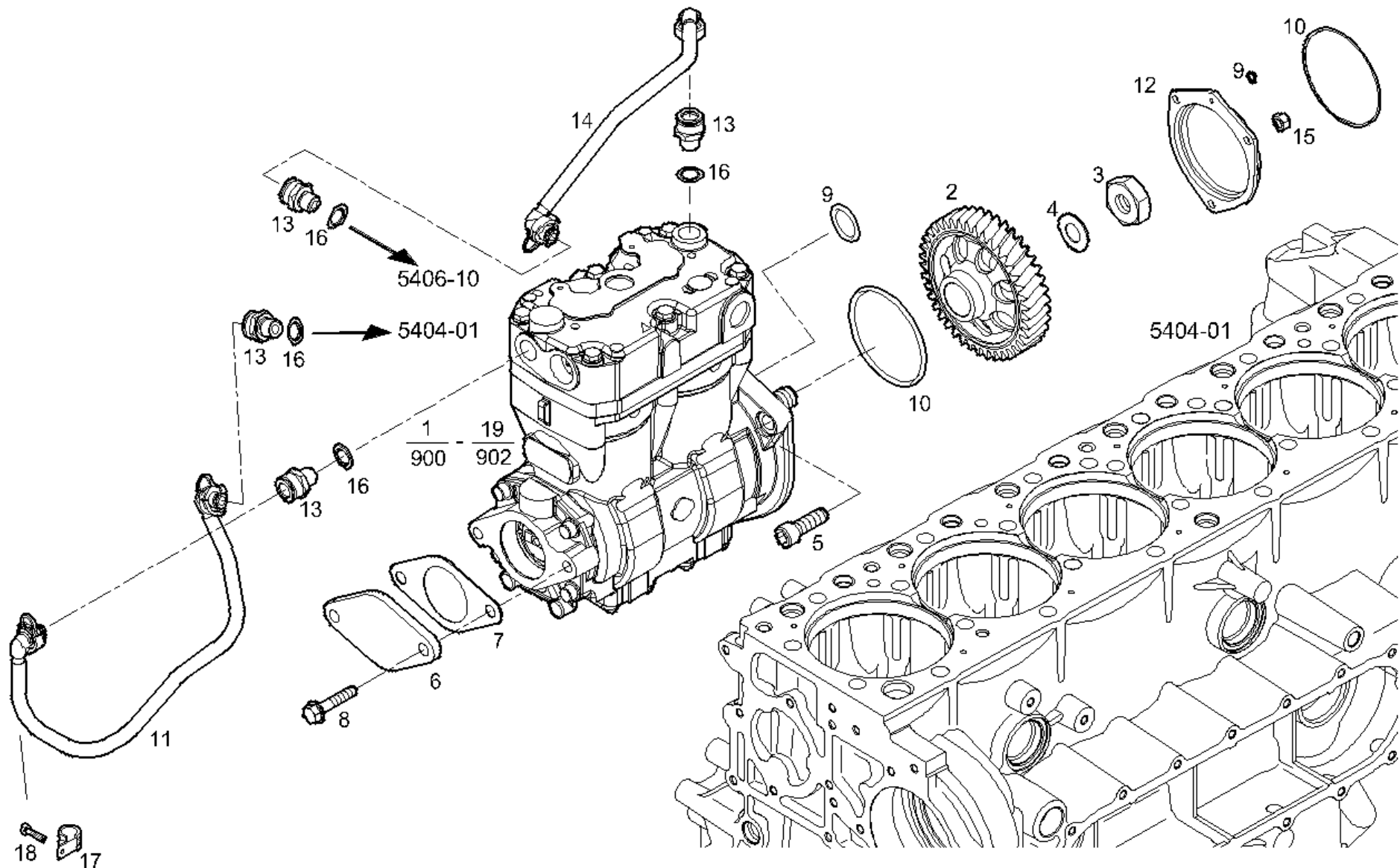
Class: 54

Group: 54 38

Subgroup: 54 38 01

Table: 210745

Pos.	Description	Table
900	790500	118720



Frame: C16ENTHW200005324

VP/PIC: 00003646000000

Model: C16ENTHW20.00

Class: 54

Group: 54 38

Subgroup: 54 38 01**Table: 210746**

Pos.	Part Number	Qty.	Description	Standard Note	Modif.	Subst.	Time Sav.
1	504293730	1	AIR COMPRESSOR			S	R
2	5801608611	1	GEAR				
3	504016500	1	NUT	LEFT THREAD			
4	17095914	1	WASHER	DIAM=19X34 MM			
5	16693924	3	CYLIND-HEAD SCREW	M12X35 MM			
6	504016777	1	PTO COVER				
7	504016778	1	FLAT GASKET ENGINE				
8	18139424	2	HEXAGON BOLT	M10X20 MM		S	
9	17281381	2	O-RING	DIAM=9,19 MM			
10	17292281	2	O-RING	DIAM=126,59 MM SP=3,53			
11	5801869609	1	WATER PIPE				
12	5801743973	1	SPACING BAR				
13	5801807830	4	THREADED UNION				
14	5801912552	1	WATER PIPE	ASSY			
15	17038421	3	HEXAGON NUT	M12 (8)		S	
16	5801398260	4	SEAL GASKET	DIAM=18 MM		S	
17	17316592	1	PIPE CLIP				
18	16586225	1	HEXAGON BOLT	M8X1,25X16 MM			
19	5802799223	1	AIR COMPRESSOR				R

Frame: C16ENTHW200005324

VP/PIC: 00003646000000

Model: C16ENTHW20.00

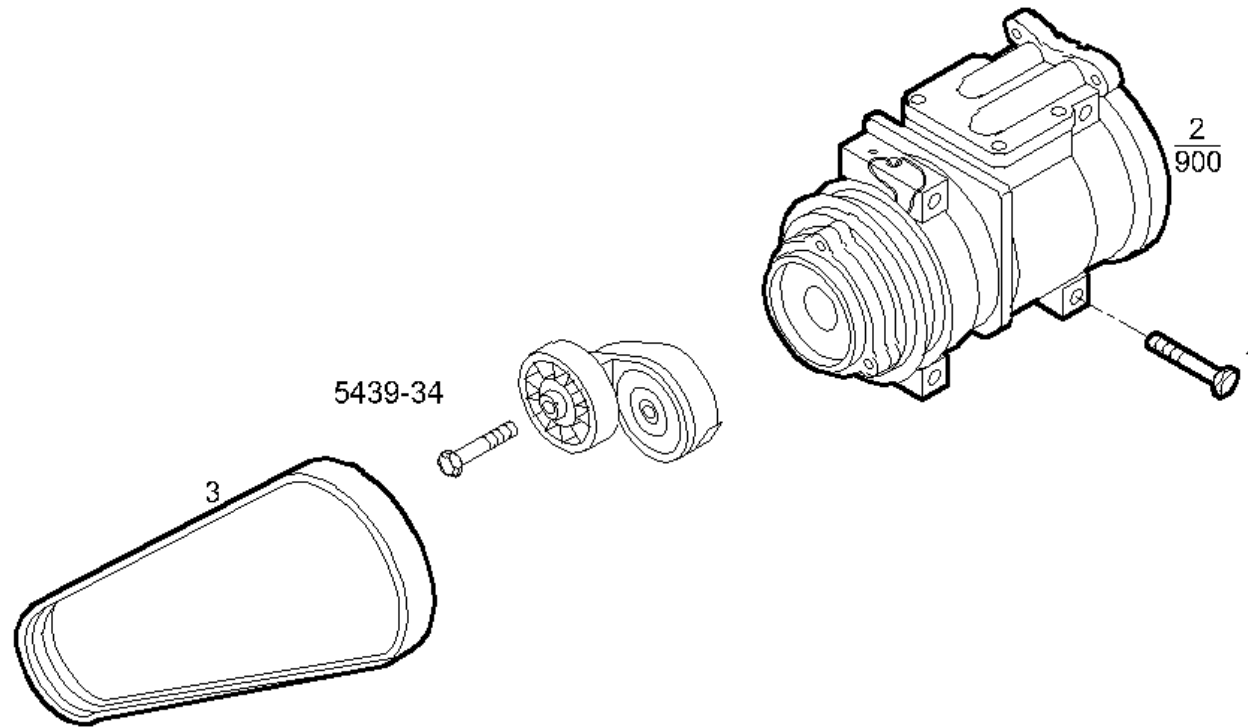
Class: 54

Group: 54 38

Subgroup: 54 38 01

Table: 210746

Pos.	Description	Table
900	790500	95570
902	790500	342699



Frame: C16ENTHW200005324

VP/PIC: 00003646000000

Model: C16ENTHW20.00

Class: 54

Group: 54 39

Subgroup: 54 39 00

Table: 210107

Pos.	Part Number	Qty.	Description	Standard Note	Modif.	Subst.	Time Sav.
1	16598234	4	HEXAGON BOLT	M8X90 MM			
2	504385146	1	AIR COND.COMPRESS.				R
3	504129824	1	CONDIT. COMPR. BELT				

Frame: C16ENTHW200005324

VP/PIC: 00003646000000

Model: C16ENTHW20.00

Class: 54

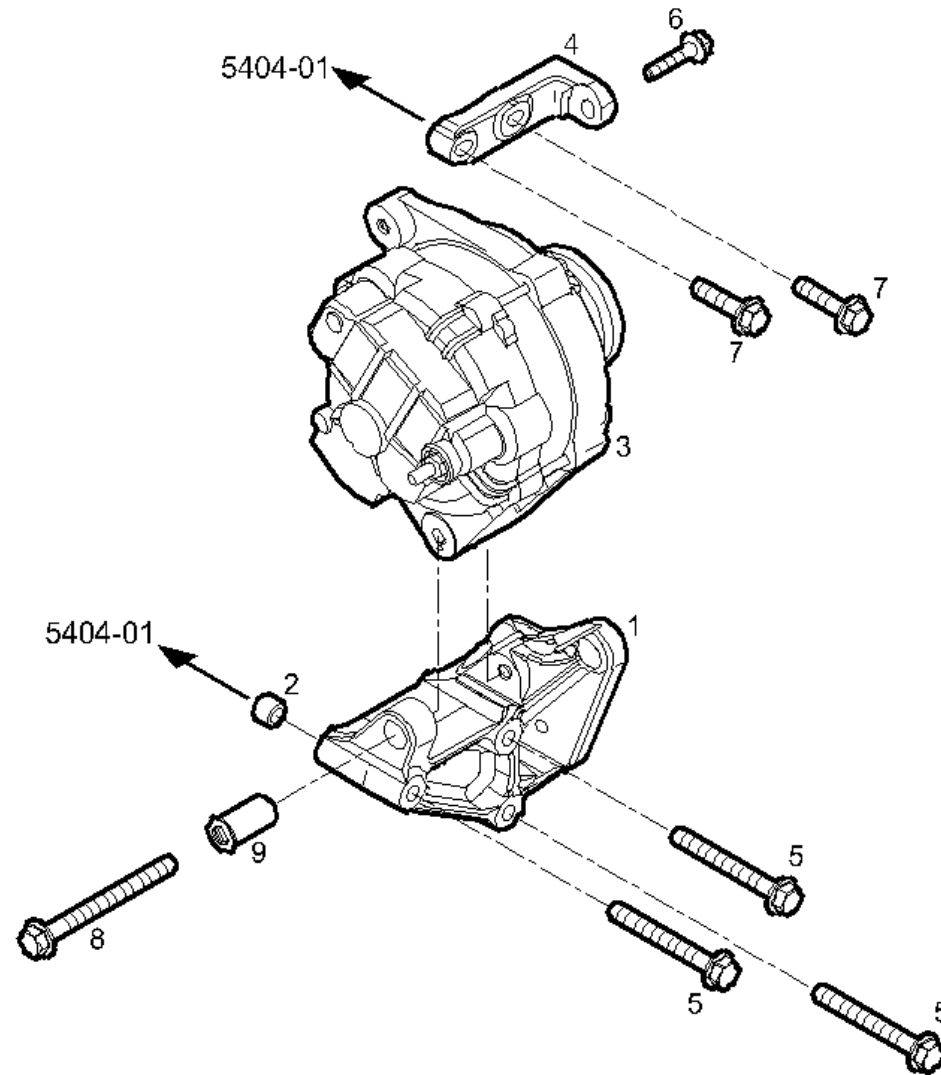
Group: 54 39

Subgroup: 54 39 00

Table: 210107

Pos.	Description	Table
900	790540	160739

Table: 210803



Frame: C16ENTHW200005324

VP/PIC: 00003646000000

Model: C16ENTHW20.00

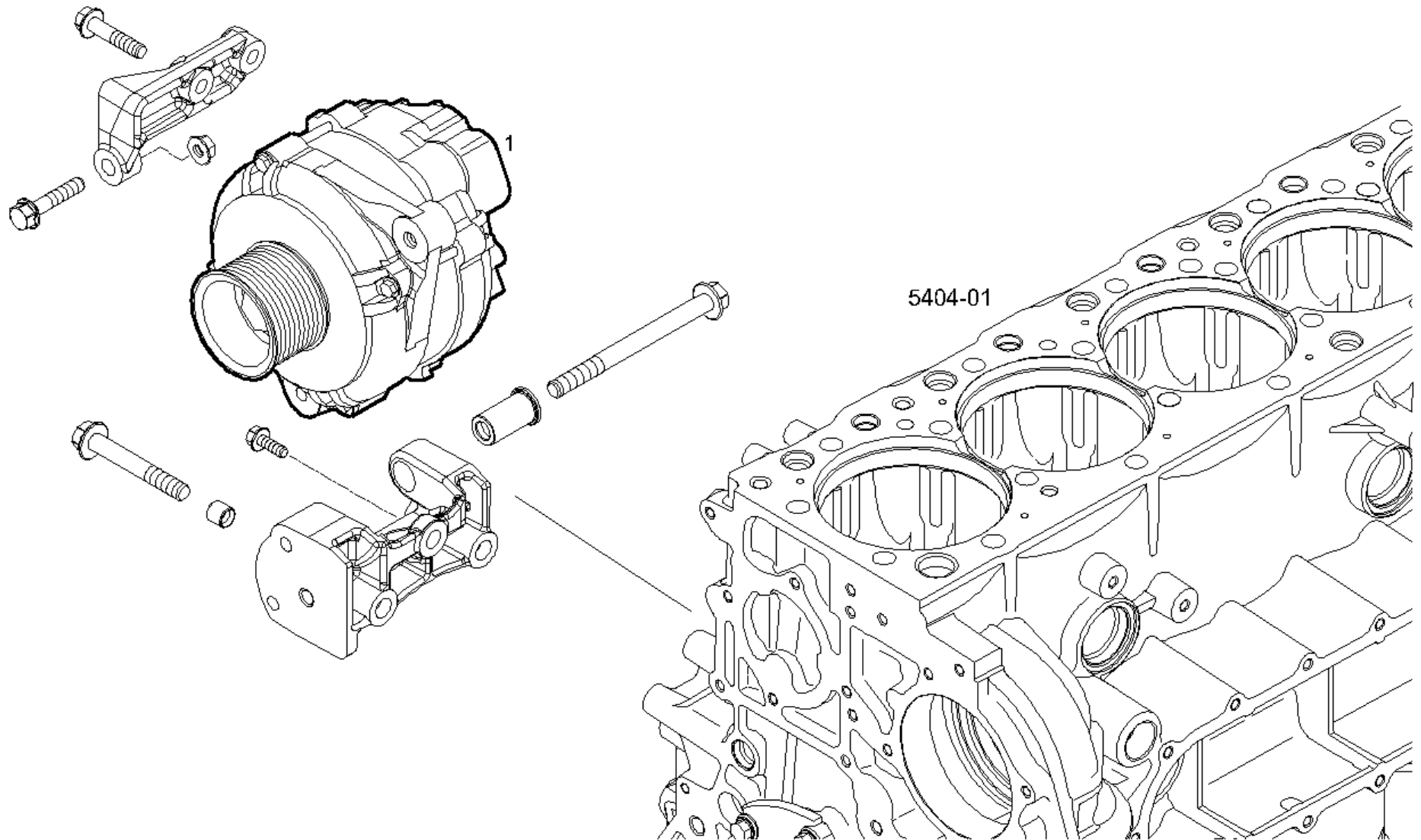
Class: 54

Group: 54 40

Subgroup: 54 40 00

Table: 210803

Pos.	Part Number	Qty.	Description	Standard Note	Modif.	Subst.	Time Sav.
1	5802333415	1	GENERATOR SUPPORT				
2	98405462	2	DOWEL PIN	DIAM=10,2 MM			
3	504349341	1	ALTERNATOR			S	
4	5802210468	1	FASTENING BRACKET				
5	16592925	3	HEXAGON BOLT	M10X80 MM			
6	16586625	1	HEXAGON BOLT	M8X1,25X35 MM			
7	16673835	2	HEXAGON BOLT	M8X30 MM			
8	16598925	1	HEXAGON BOLT	M10X110 MM			
9	99484032	1	SPACER BUSH				



Frame: C16ENTHW200005324

VP/PIC: 00003646000000

Model: C16ENTHW20.00

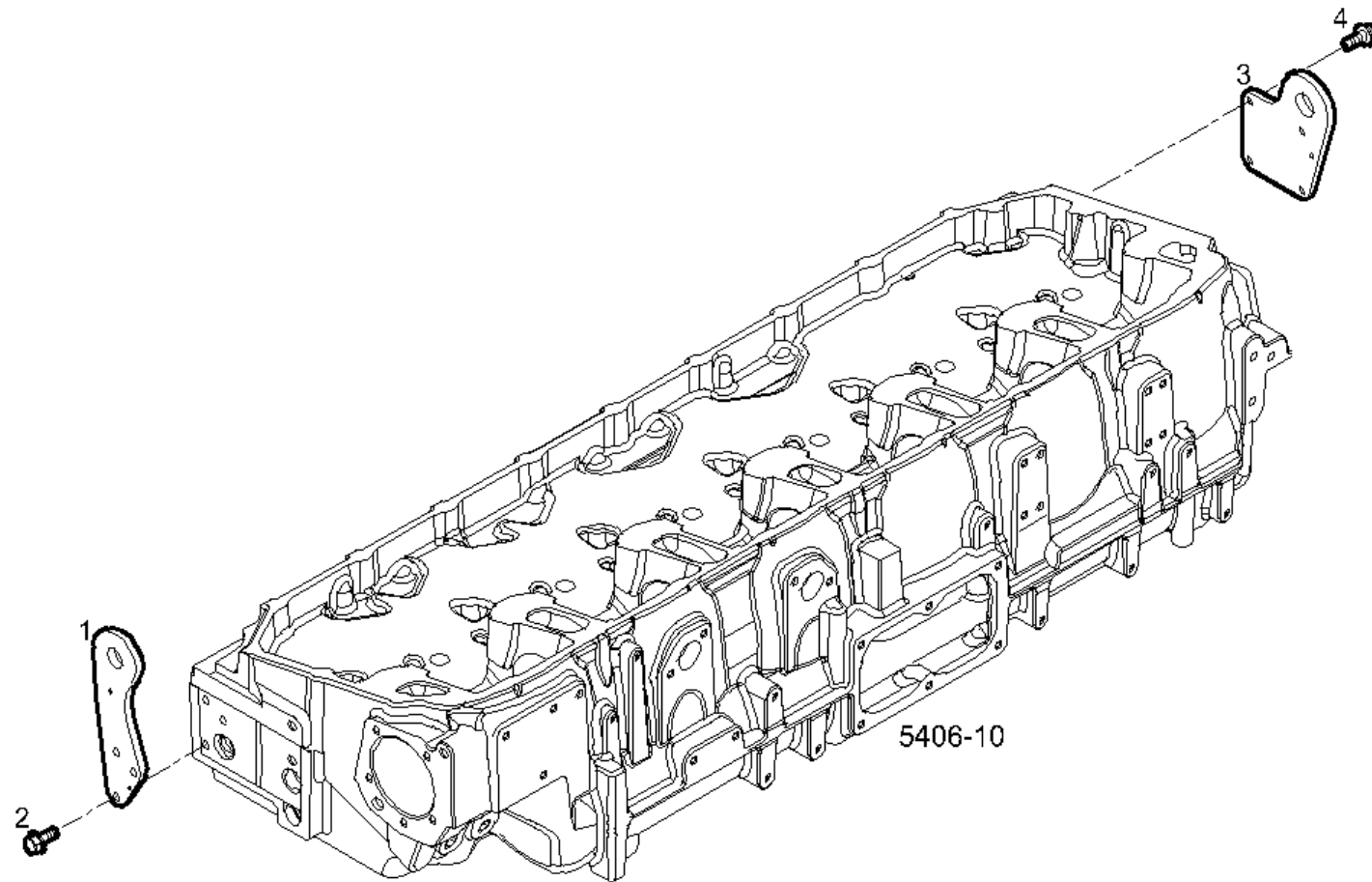
Class: 54

Group: 54 40

Subgroup: 54 40 00

Table: 229280

Pos.	Part Number	Qty.	Description	Standard Note	Modif.	Subst.	Time Sav.
1	5802339285	1	ALTERNATOR			S	



Frame: C16ENTHW200005324

VP/PIC: 00003646000000

Model: C16ENTHW20.00

Class: 54

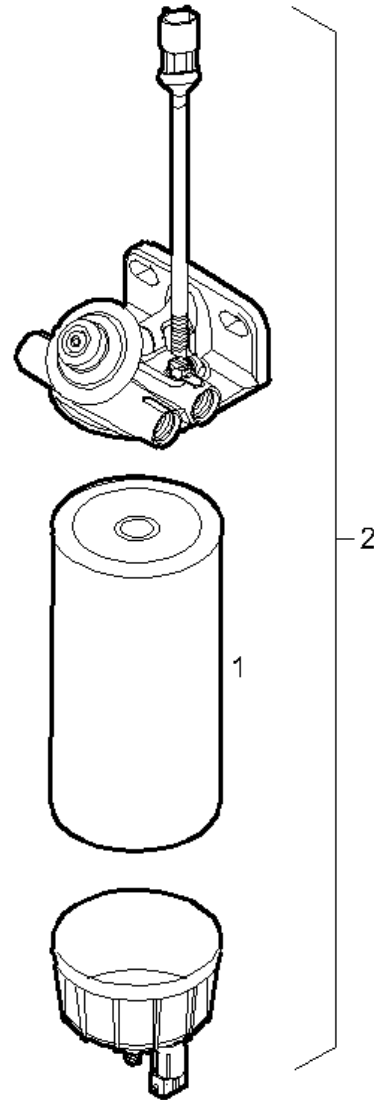
Group: 54 45

Subgroup: 54 45 00

Table: 242714

Pos.	Part Number	Qty.	Description	Standard Note	Modif.	Subst.	Time Sav.
1	5802114752	1	HOOK				
2	16677835	3	HEXAGON BOLT	M12X1,75X30 MM			
3	5801842172	1	HOOK				
4	16587135	4	HEXAGON BOLT	M10X1,5X25 MM			

Table: 173114



Frame: C16ENTHW200005324

VP/PIC: 00003646000000

Model: C16ENTHW20.00

Class: 54

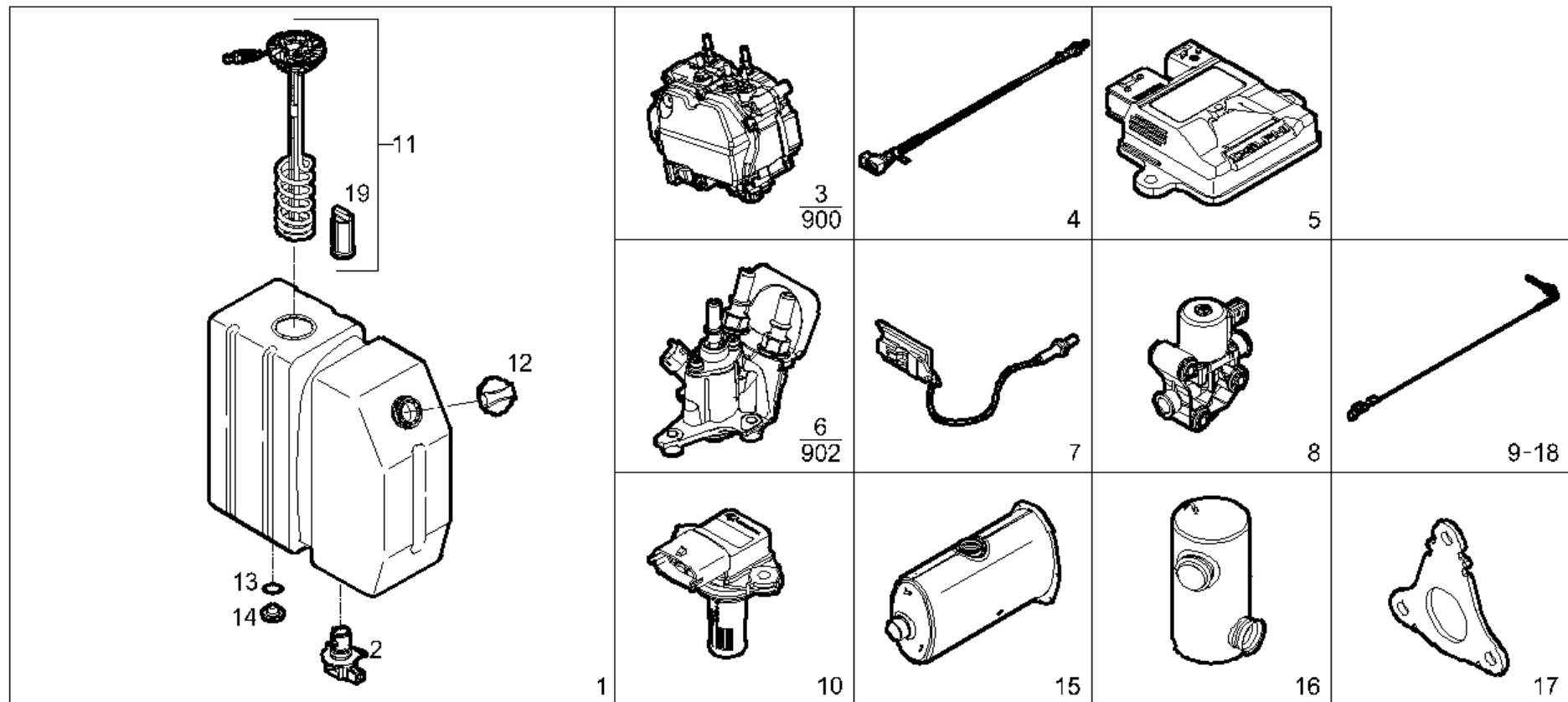
Group: 54 86

Subgroup: 54 86 00

Table: 173114

Pos.	Part Number	Qty.	Description	Standard Note	Modif.	Subst.	Time Sav.
1	5801774731	1	FUEL PRE-FIL. CARTR.	SPIN-ON FILTER			
2	5801774728	1	FUEL FILTER			S	

Table: 210045



Frame: C16ENTHW200005324

VP/PIC: 00003646000000

Model: C16ENTHW20.00

Class: 54

Group: 54 86

Subgroup: 54 86 93**Table: 210045**

Pos.	Part Number	Qty.	Description	Standard Note	Modif.	Subst.	Time Sav.
1	5801809377	1	TANK/RESERVOIR	135 LITRI			
2	5801624786	1	AD-BLUE TANK SENSOR				
3	504381868	1	SUPPLY MODULE	24V		S	R
4	5801587836	1	NH3 SENSOR			S	
5	5801627706	1	ELECTR. CONTR. UNIT	NH3		S	
6	5801755291	1	NOZZLE	DOSING MODULE DENOX		S	
7	5801754014	2	NOX SENSOR	L=908 MM			
8	5801324524	1	CONTROL VALVE				
9	5801455940	2	EXH.GAS TEMP. SENSOR	OUT			
10	504101690	1	HUMIDITY SENSOR	HUMIDITY			
11	5801796598	1	INDICATOR				
12	84206552	1	PLUG			S	
13	17288581	1	O-RING	DIAM=23,3 MM SP=3,5 MM			
14	5801668551	1	DRAIN SCREW	M16X1,5MM			
15	5802332182	1	SILENCER				
16	5802332173	1	SILENCER				
17	5801838526	1	FLAT GASKET ENGINE				
18	5801455941	1	TEMPERATURE SENSOR	L= 500MM			
19	8095681	1	ADBLUE FILTER EL. KIT			S	

Frame: C16ENTHW200005324

VP/PIC: 00003646000000

Model: C16ENTHW20.00

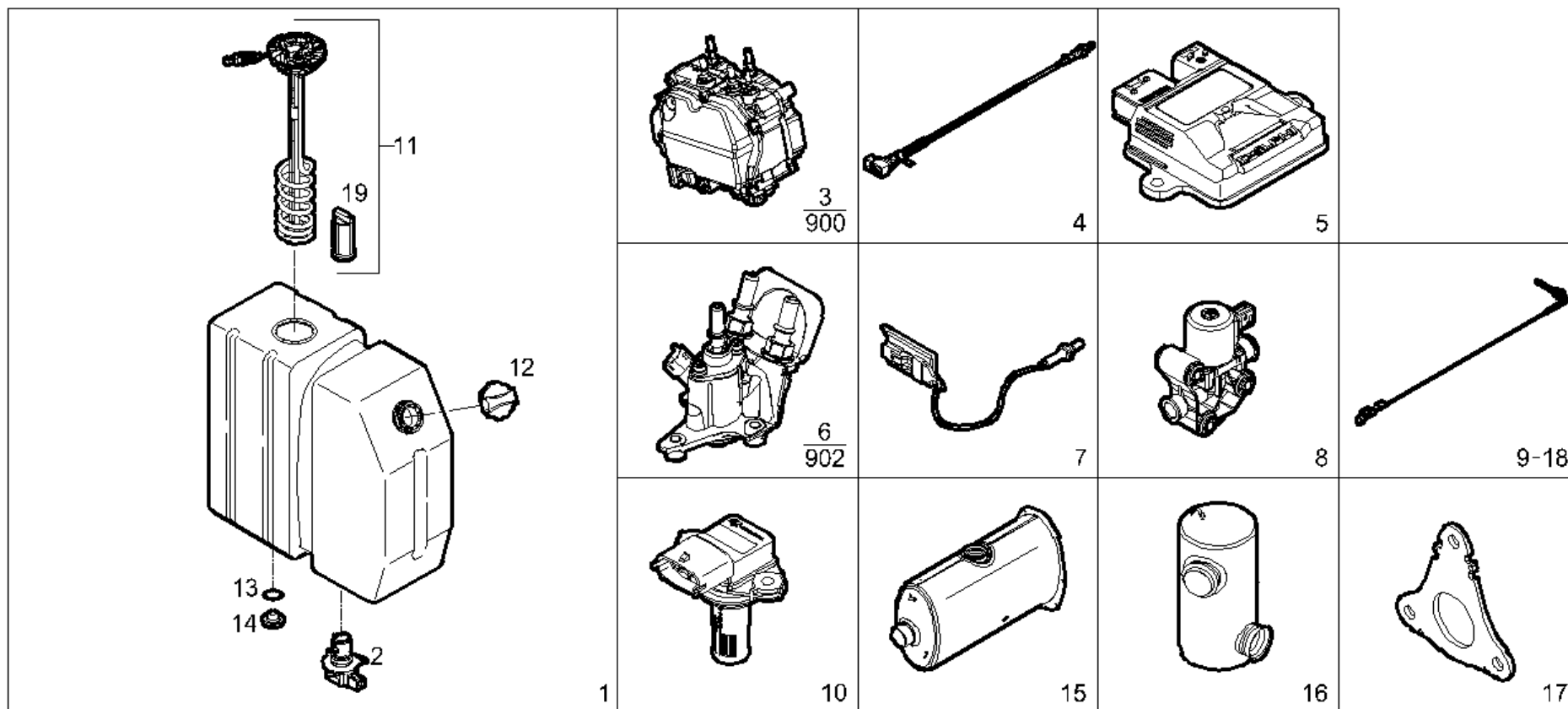
Class: 54

Group: 54 86

Subgroup: 54 86 93

Table: 210045

Pos.	Description	Table
900	507440	142654
902	507452	185356



Frame: C16ENTHW200005324

VP/PIC: 00003646000000

Model: C16ENTHW20.00

Class: 54

Group: 54 86

Subgroup: 54 86 93**Table: 242713**

Pos.	Part Number	Qty.	Description	Standard Note	Modif.	Subst.	Time Sav.
1	5801809377	1	TANK/RESERVOIR	135 LITRI			
2	5801624786	1	AD-BLUE TANK SENSOR				
3	504381868	1	SUPPLY MODULE	24V		S	R
4	5801587836	1	NH3 SENSOR			S	
5	5801627706	1	ELECTR. CONTR. UNIT	NH3		S	
6	5801755291	1	NOZZLE	DOSING MODULE DENOX		S	
7	5801754014	2	NOX SENSOR	L=908 MM			
8	5801324524	1	CONTROL VALVE				
9	5801455940	2	EXH.GAS TEMP. SENSOR	OUT			
10	504101690	1	HUMIDITY SENSOR	HUMIDITY			
11	5801796598	1	INDICATOR				
12	84206552	1	PLUG			S	
13	17288581	1	O-RING	DIAM=23,3 MM SP=3,5 MM			
14	5801668551	1	DRAIN SCREW	M16X1,5MM			
15	5802332182	1	SILENCER				
16	5802332173	1	SILENCER				
17	5801838526	1	FLAT GASKET ENGINE				
18	5801455941	1	TEMPERATURE SENSOR	L= 500MM			
19	8095681	1	ADBLUE FILTER EL. KIT			S	

Frame: C16ENTHW200005324

VP/PIC: 00003646000000

Model: C16ENTHW20.00

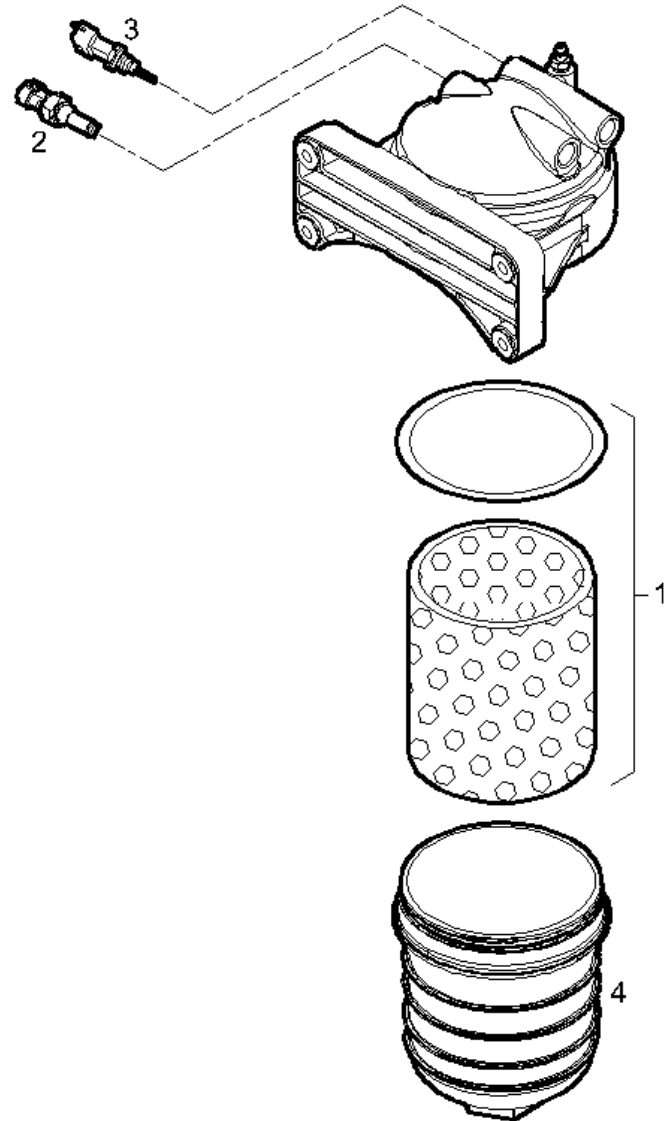
Class: 54

Group: 54 86

Subgroup: 54 86 93

Table: 242713

Pos.	Description	Table
900	507440	142654
902	507452	185356



Frame: C16ENTHW200005324

VP/PIC: 00003646000000

Model: C16ENTHW20.00

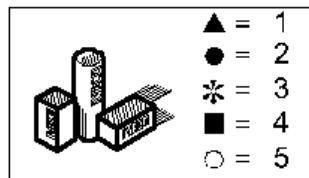
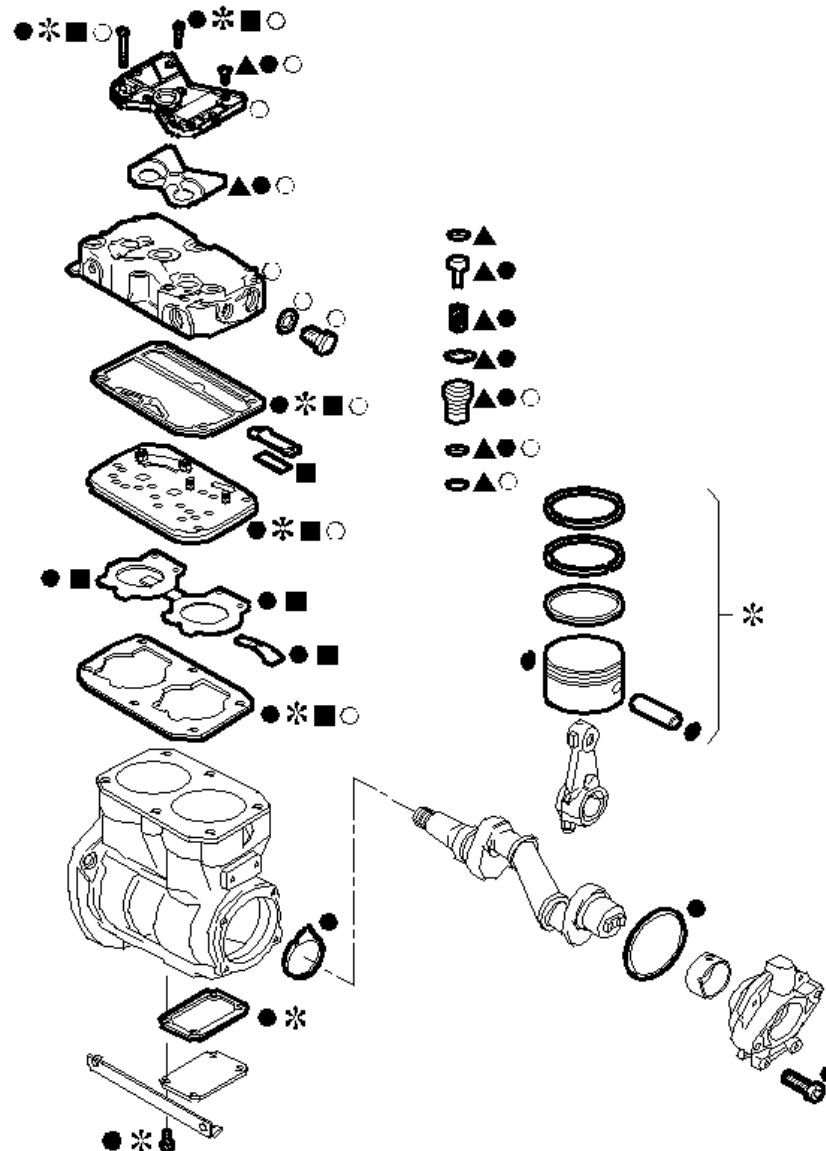
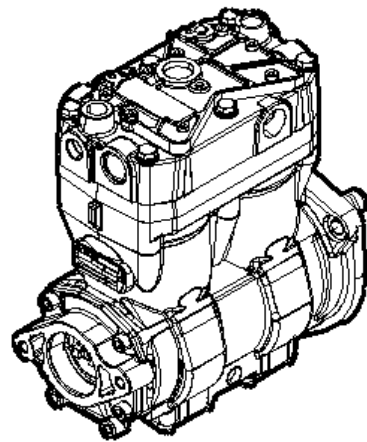
Class: 77

Group: 77 31

Subgroup: 77 31 89

Table: 153127

Pos.	Part Number	Qty.	Description	Standard Note	Modif.	Subst.	Time Sav.
1	5801516883	1	FUEL FILTER ELEMENT	GREEN FILTER			
2	5801567640	1	SENSOR	PRESSURE			
3	500382599	1	TEMPERATURE SENSOR	WATER / FUEL / OIL			
4	5802019843	1	FILTER SHELL				



Frame: C16ENTHW200005324

VP/PIC: 00003646000000

Model: C16ENTHW20.00

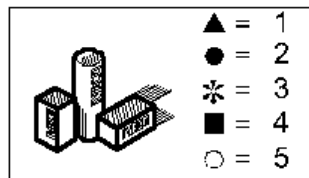
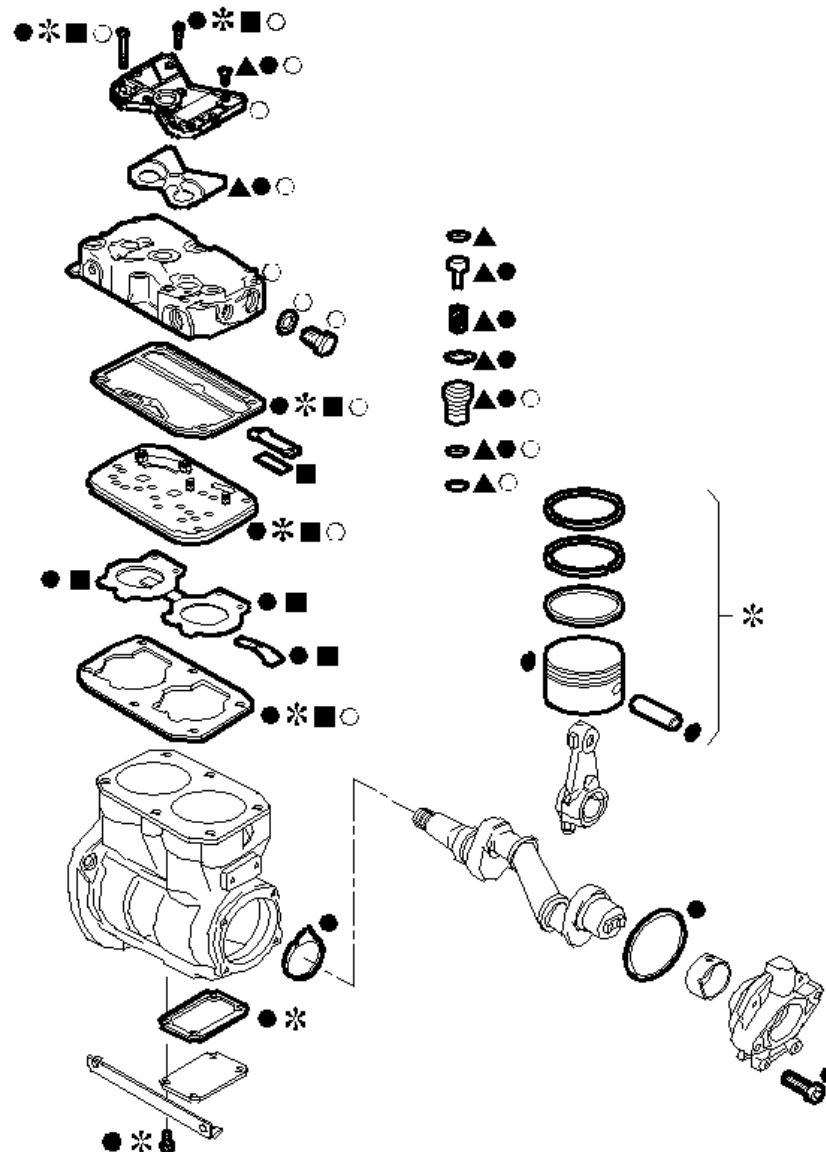
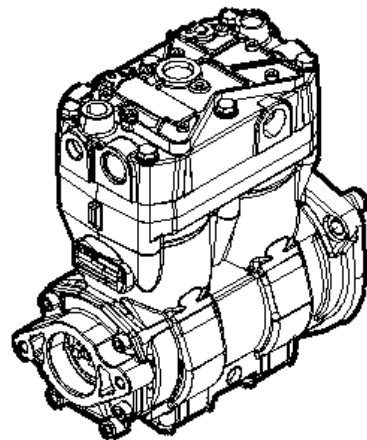
Class: 79

Group: 79 05

Subgroup: 79 05 00

Table: 95570

Pos.	Part Number	Qty.	Description	Standard Note	Modif.	Subst.	Time Sav.
1	42576554	1	KIT-AIR COMPRESSOR				
2	42576551	1	KIT-AIR COMPRESSOR				
3	42576538	1	KIT-AIR COMPRESSOR				
4	42576531	1	KIT-AIR COMPRESSOR				
5	42576527	1	KIT-AIR COMPRESSOR				



Frame: C16ENTHW200005324

VP/PIC: 00003646000000

Model: C16ENTHW20.00

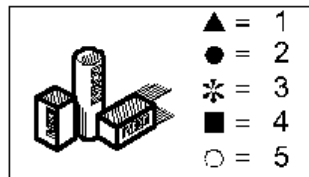
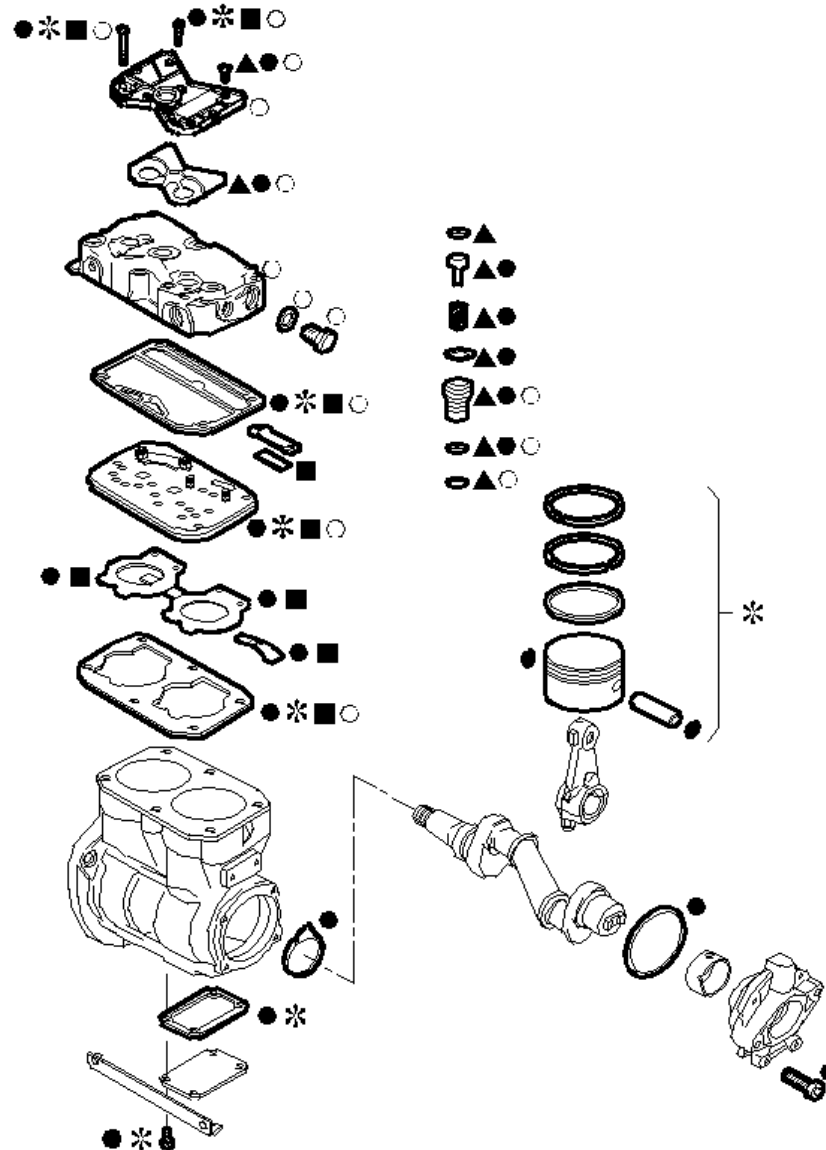
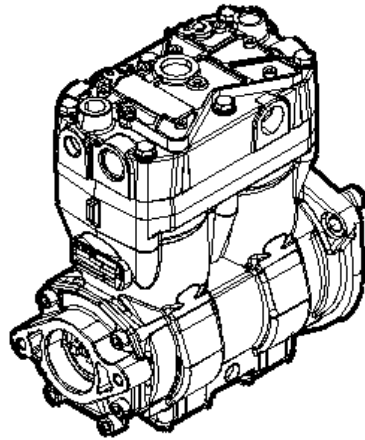
Class: 79

Group: 79 05

Subgroup: 79 05 00

Table: 95570

Pos.	Part Number	Qty.	Description	Standard Note	Modif.	Subst.	Time Sav.
1	42576554	1	KIT-AIR COMPRESSOR				
2	42576551	1	KIT-AIR COMPRESSOR				
3	42576538	1	KIT-AIR COMPRESSOR				
4	42576531	1	KIT-AIR COMPRESSOR				
5	42576527	1	KIT-AIR COMPRESSOR				



Frame: C16ENTHW200005324

VP/PIC: 00003646000000

Model: C16ENTHW20.00

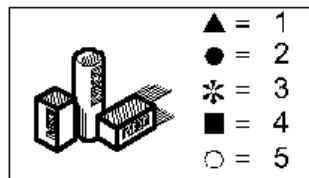
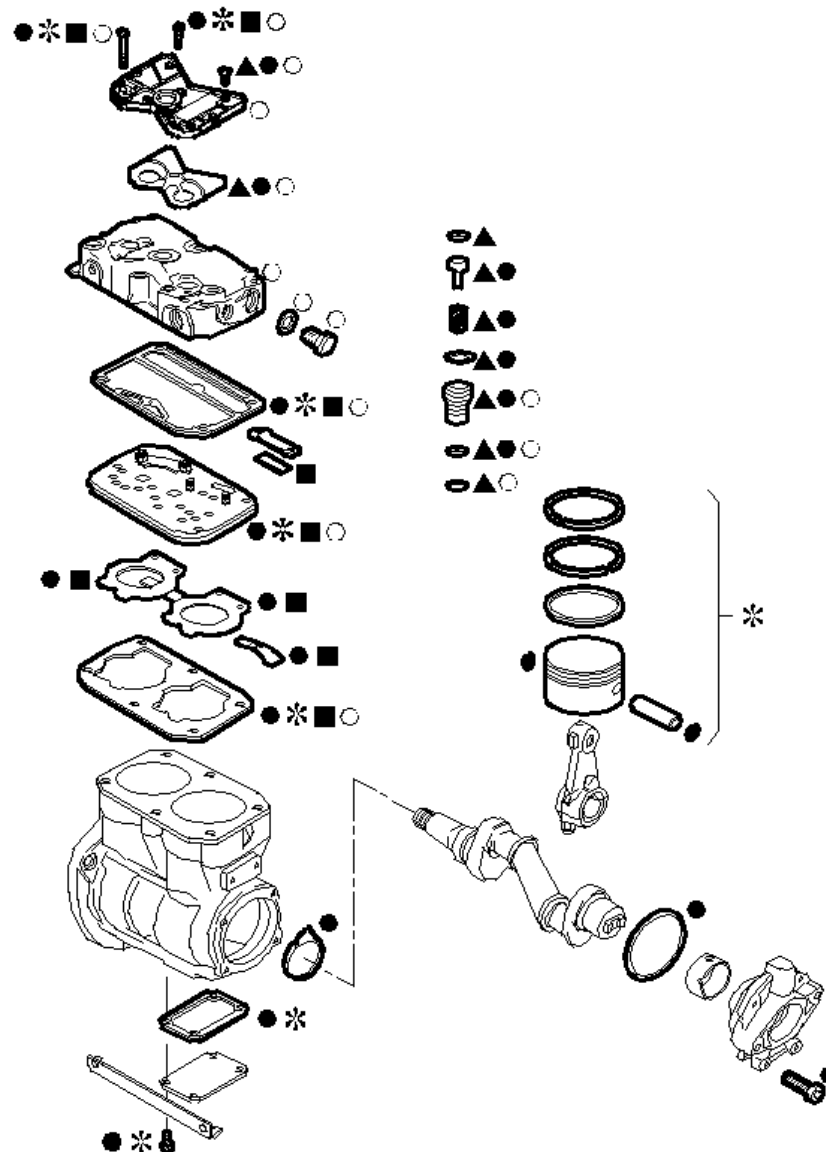
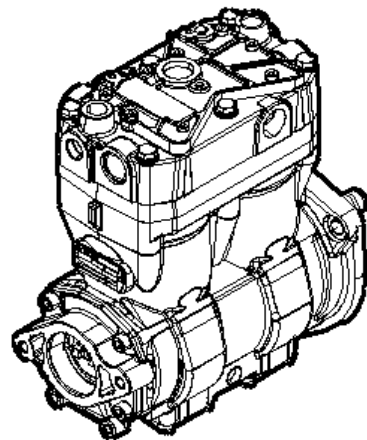
Class: 79

Group: 79 05

Subgroup: 79 05 00

Table: 118720

Pos.	Part Number	Qty.	Description	Standard Note	Modif.	Subst.	Time Sav.
1	42576554	1	KIT-AIR COMPRESSOR				
2	42576551	1	KIT-AIR COMPRESSOR				
3	42576538	1	KIT-AIR COMPRESSOR				
4	42576531	1	KIT-AIR COMPRESSOR				
5	42576527	1	KIT-AIR COMPRESSOR				



Frame: C16ENTHW200005324

VP/PIC: 00003646000000

Model: C16ENTHW20.00

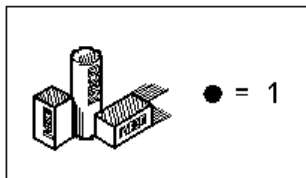
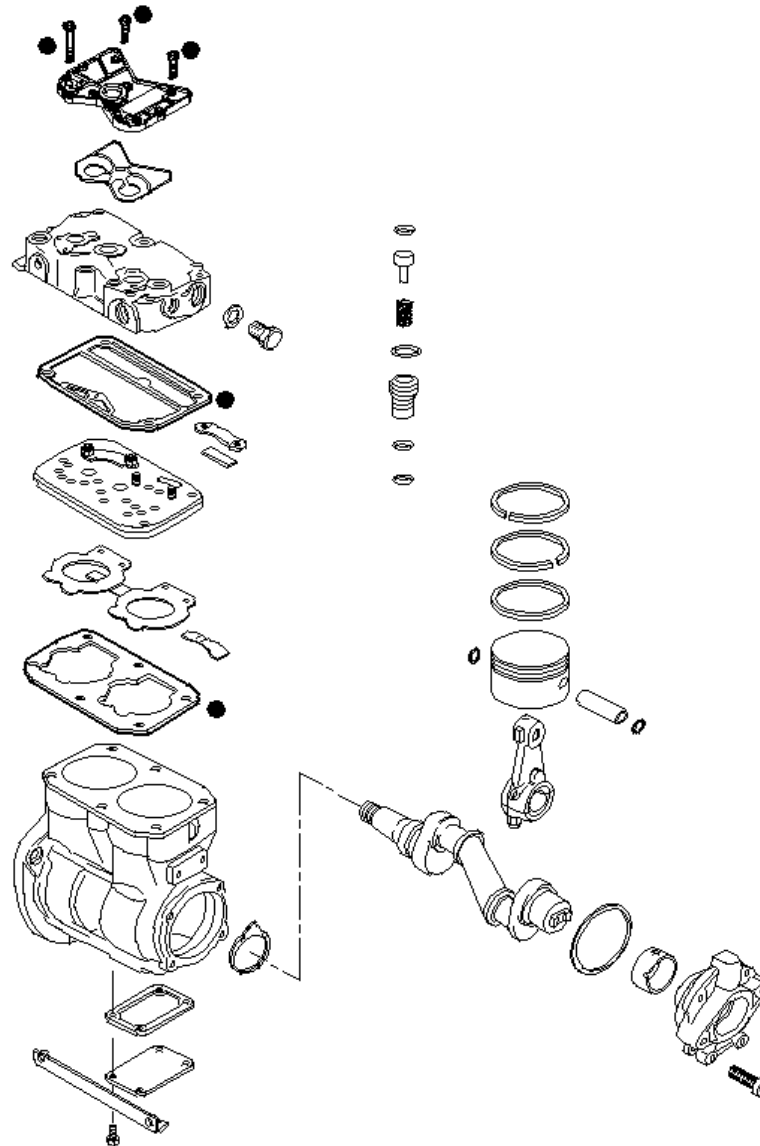
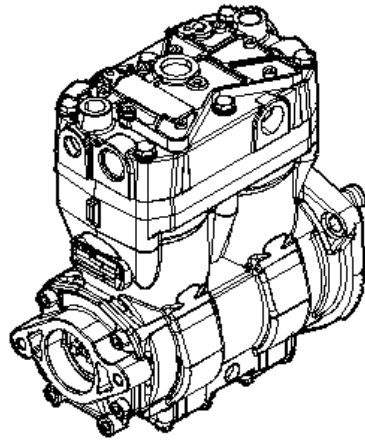
Class: 79

Group: 79 05

Subgroup: 79 05 00

Table: 118720

Pos.	Part Number	Qty.	Description	Standard Note	Modif.	Subst.	Time Sav.
1	42576554	1	KIT-AIR COMPRESSOR				
2	42576551	1	KIT-AIR COMPRESSOR				
3	42576538	1	KIT-AIR COMPRESSOR				
4	42576531	1	KIT-AIR COMPRESSOR				
5	42576527	1	KIT-AIR COMPRESSOR				



Frame: C16ENTHW200005324

VP/PIC: 00003646000000

Model: C16ENTHW20.00

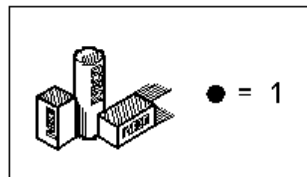
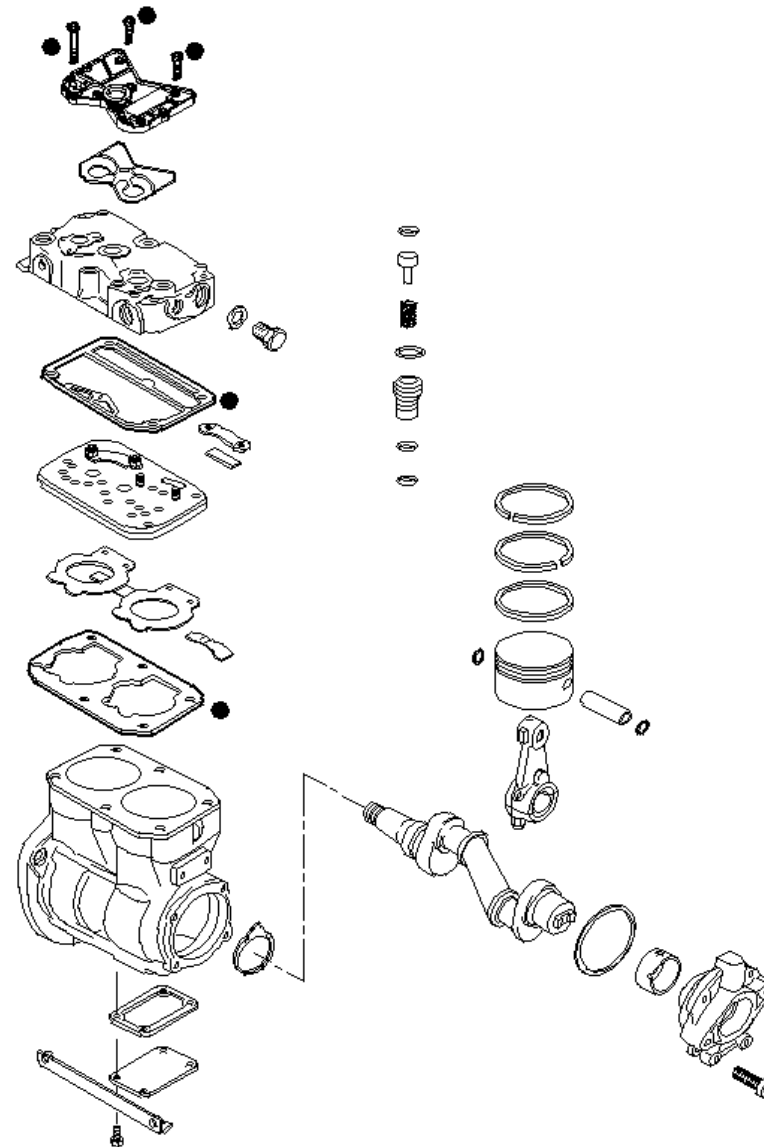
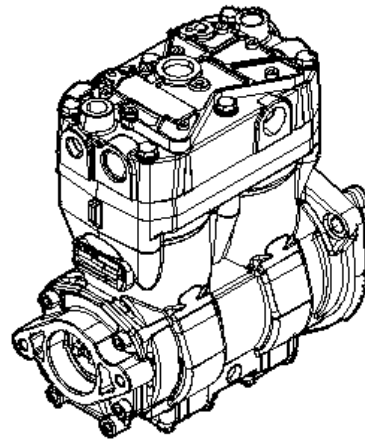
Class: 79

Group: 79 05

Subgroup: 79 05 00

Table: 342699

Pos.	Part Number	Qty.	Description	Standard Note	Modif.	Subst.	Time Sav.
1	42583638	1	KIT-AIR COMPRESSOR				



Frame: C16ENTHW200005324

VP/PIC: 00003646000000

Model: C16ENTHW20.00

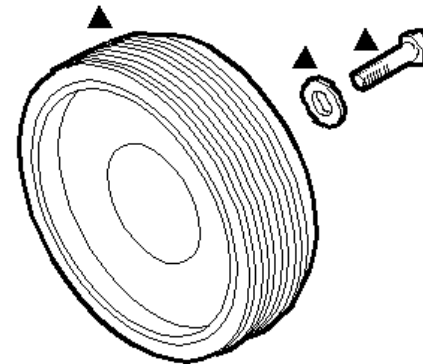
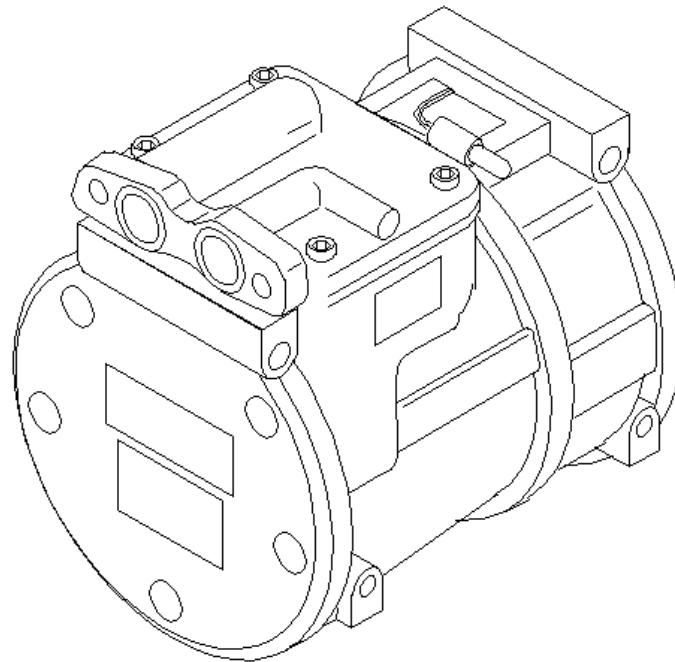
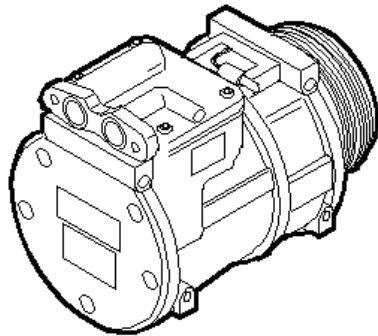
Class: 79

Group: 79 05

Subgroup: 79 05 00

Table: 342699

Pos.	Part Number	Qty.	Description	Standard Note	Modif.	Subst.	Time Sav.
1	42583638	1	KIT-AIR COMPRESSOR				



Frame: C16ENTHW200005324

VP/PIC: 00003646000000

Model: C16ENTHW20.00

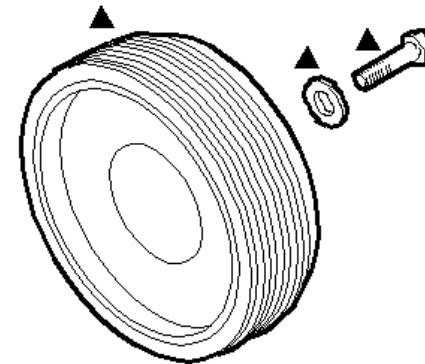
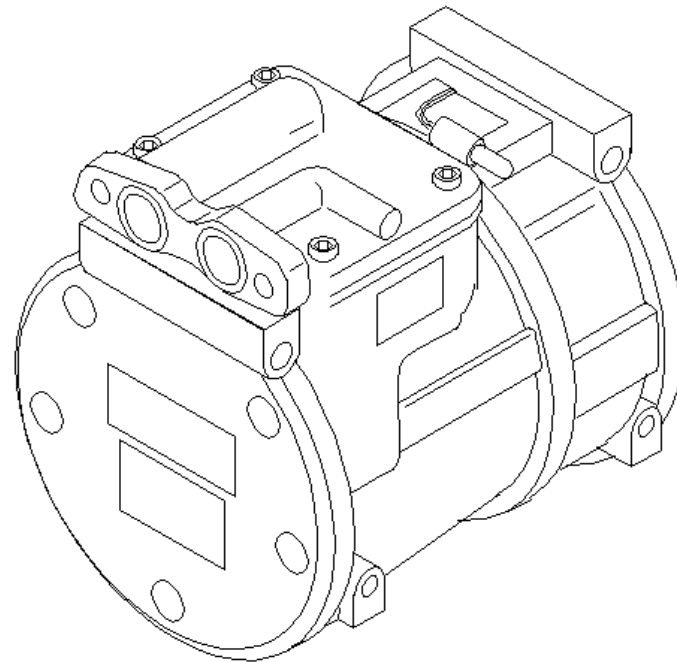
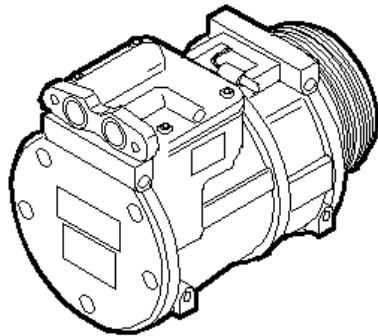
Class: 79

Group: 79 05

Subgroup: 79 05 40

Table: 160739

Pos.	Part Number	Qty.	Description	Standard Note	Modif.	Subst.	Time Sav.
1	42568690	1	KIT-AIR COMPRESSOR				



Frame: C16ENTHW200005324

VP/PIC: 00003646000000

Model: C16ENTHW20.00

Class: 79

Group: 79 05

Subgroup: 79 05 40

Table: 160739

Pos.	Part Number	Qty.	Description	Standard Note	Modif.	Subst.	Time Sav.
1	42568690	1	KIT-AIR COMPRESSOR				

